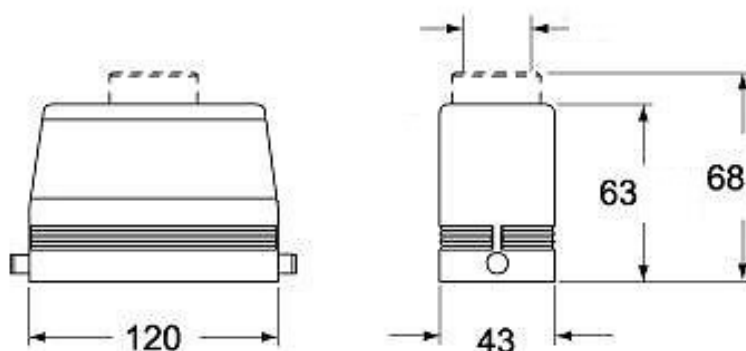


## Product Sheet

**Part Number:** MHV 24 L25




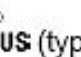


**Family** CH - CA and MH - MA enclosures

**Version** metal version

**Series** hoods for single lever

**Product type** with 2 pegs

**Type** top entry

**Quality mark** c   (type:4/4X/12),  

**IP degree of protection** IP66 (EN 60529) and IP69K (DIN 40050 - 9) degree of protection.

**Cable entry** M 25

**Fixing centre distance** size "104.27"

**Material** metal

**Barcode EAN13** 8015747055994

The information and the dimensions contained are not binding and may be changed without prior notice.  
The drawing's dimensions are in mm.