

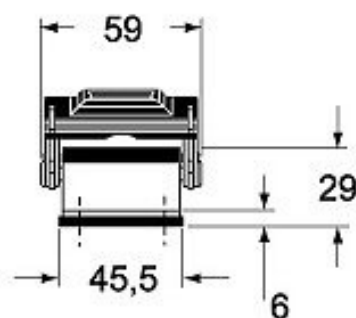
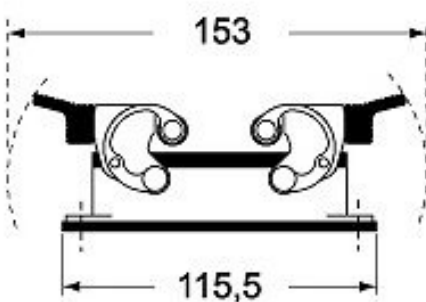
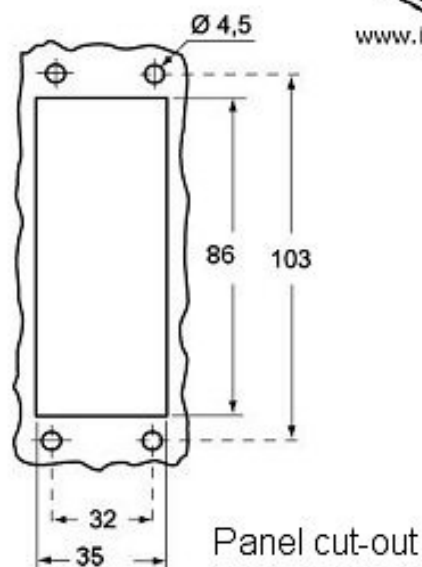
## Product Sheet




www.ilme.com

Part Number:

CHI 16



|                         |   |
|-------------------------|---|
| Family                  | CH - CA and MH - MA enclosures  |
| Version                 | metal version   |
| Series                  | bulkhead mounting housings with 2 levers or 4 pegs                                  |
| Product type            | with 2 levers   |
| Quality mark            |  |
| IP degree of protection | IP66 (EN 60529) and IP69K (DIN 40050 - 9) degree of protection.                     |
| Fixing centre distance  | size "77.27"  |
| Material                | metal   |
| Barcode EAN13           | 8015747017688   |

The information and the dimensions contained are not binding and may be changed without prior notice.  
The drawing's dimensions are in mm.