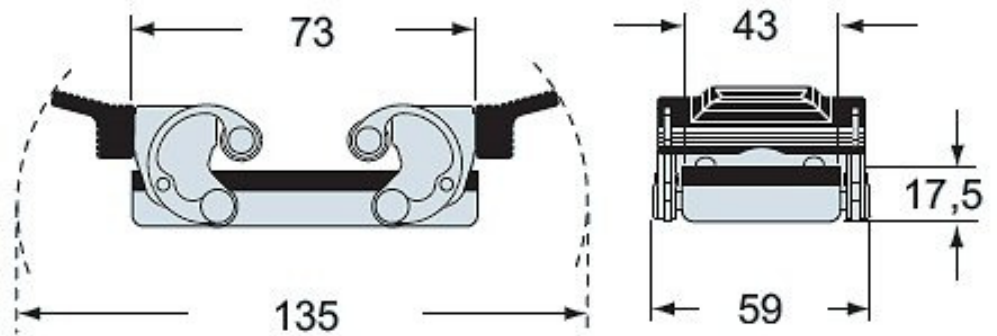


## Product Sheet

**Part Number:** CHC 10 G



<b>Family</b>	CH - CA and MH - MA enclosures
<b>Version</b>	metal version
<b>Series</b>	covers
<b>Product type</b>	with 2 levers
<b>Quality mark</b>	c  us (type:4/4X/12),  
<b>IP degree of protection</b>	IP65 (EN 60529) degree of protection
<b>Fixing centre distance</b>	size "57.27"
<b>Material</b>	metal
<b>Barcode EAN13</b>	8015747015943

The information and the dimensions contained are not binding and may be changed without prior notice.  
The drawing's dimensions are in mm.