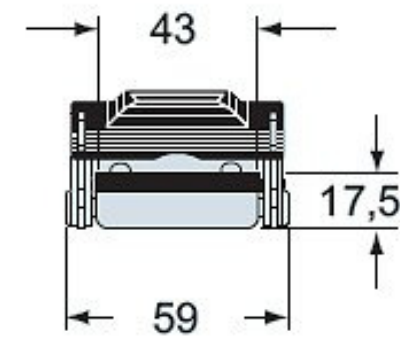
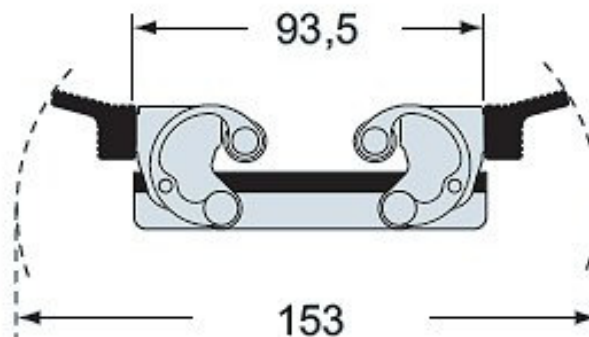

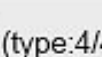

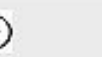


Product Sheet



Part Number: CHC 16 G



| | |
|--------------------------------|------------------------------------------------------------------------------------------------------------------------------------------------------------------------------------------------------------------------------------------------------------------------------------------------------------------------------------------------------------------------|
| Family | CH - CA and MH - MA enclosures |
| Version | metal version |
| Series | covers |
| Product type | with 2 levers |
| Quality mark | c   (type:4/4X/12),   |
| IP degree of protection | IP65 (EN 60529) degree of protection |
| Fixing centre distance | size "77.27" |
| Material | metal |
| Barcode EAN13 | 8015747016162 |

The information and the dimensions contained are not binding and may be changed without prior notice.
The drawing's dimensions are in mm.