

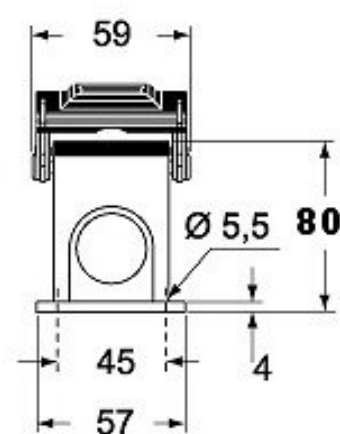
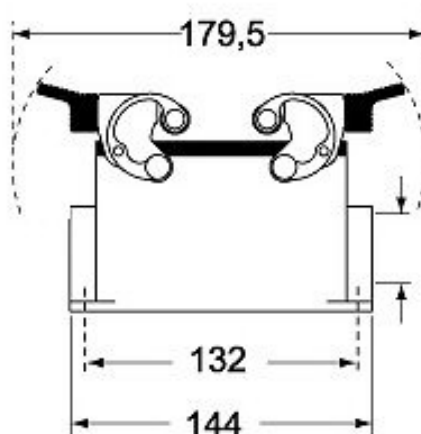
Product Sheet




Part Number:

MAP 24.32



www.ilme.com



Family	CH - CA and MH - MA enclosures
Version	metal version
Series	surface mounting housings with 2 levers or 4 pegs
Product type	with 2 levers
Execution	high construction
Quality mark	 (type:4/4X/12),  
IP degree of protection	IP66 (EN 60529) and IP69K (DIN 40050 - 9) degree of protection.
Cable entry	M 32
Fixing centre distance	size "104.27"
Material	metal
Barcode EAN13	8015747052016

The information and the dimensions contained are not binding and may be changed without prior notice.
The drawing's dimensions are in mm.