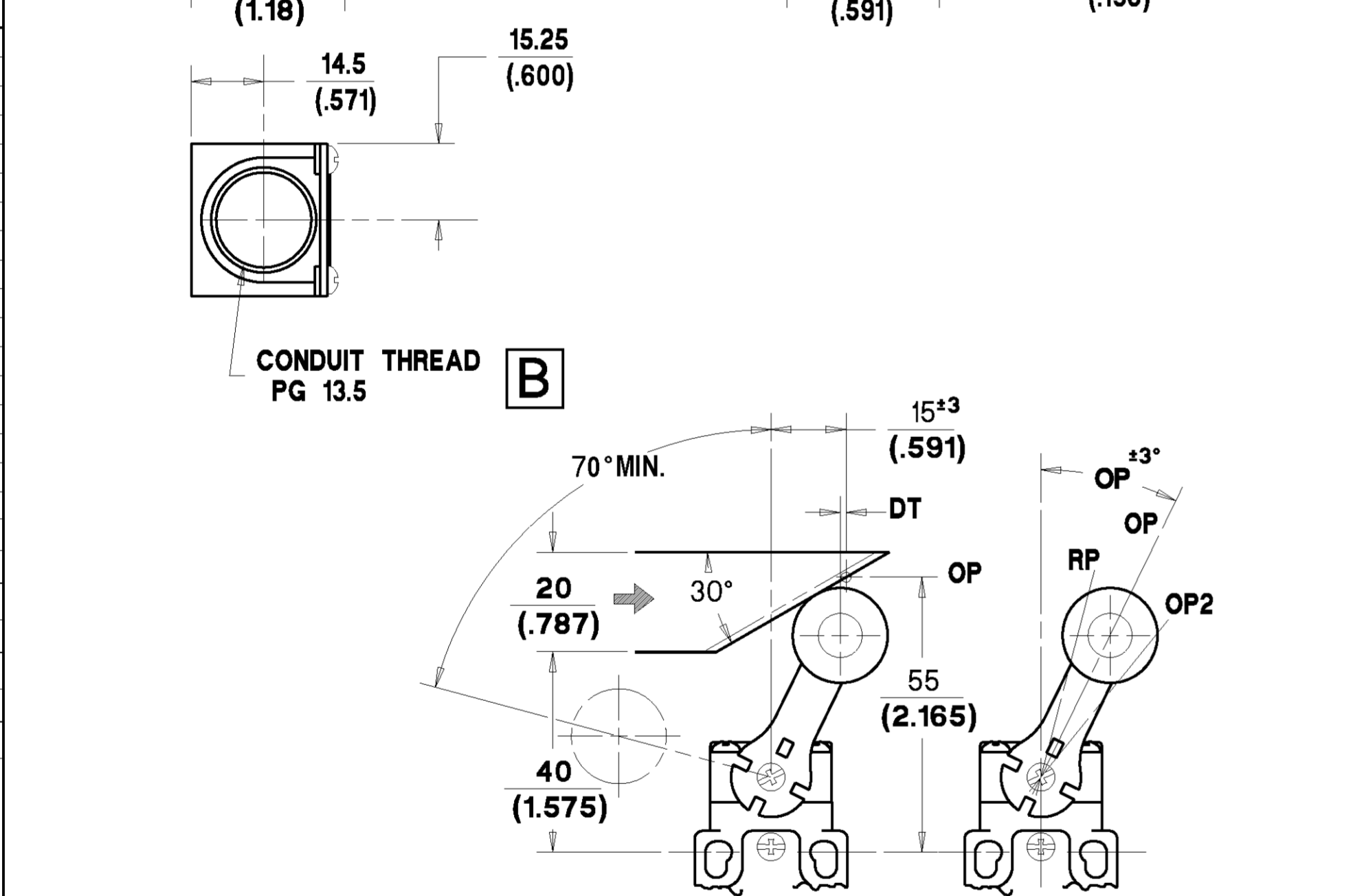
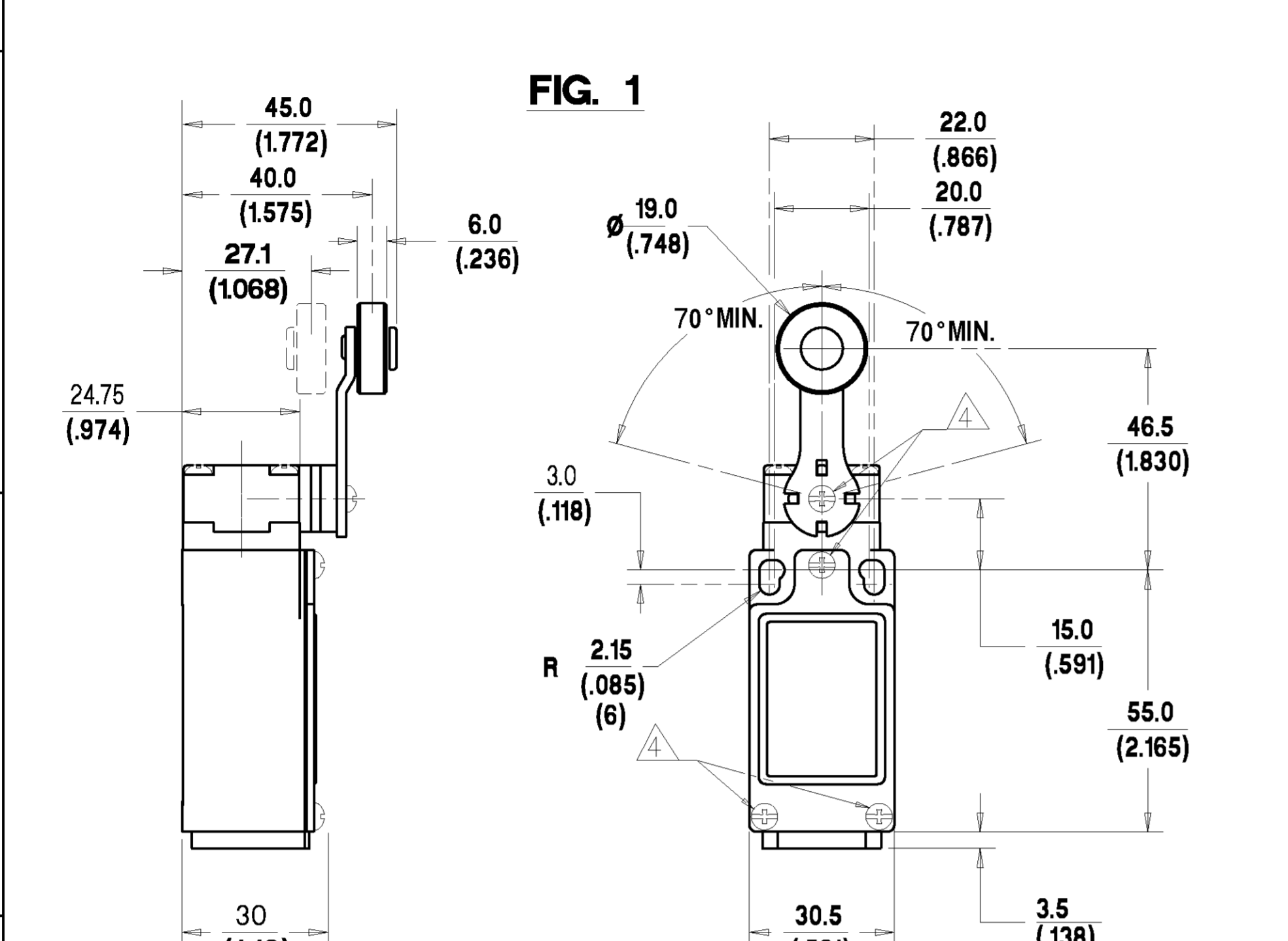


MTG-GL-167
 REPLACES
 DRAWING NUMBER
 ISSUE 16/16
 RELEASE NUMBER AO1B-3B
 REVISIONS
 6/9/96
 AO1B-275
 7/12/96
 AO1B-293
 8/7/97
 CO-000083
 9/8/97
 CO-000106
 10/2/98
 CO-000288
 11/CO/395
 I WEIR 6/98
 12/PR+655
 I WEIR 1/00
 13/CO+2667
 M LOCH 02/03
 14/0007574
 KSR
 29SEP04
 15/0022572
 RKP
 20JUN06
 16/0037216
 BS
 07FEB08
 17/0044283
 MBN
 06OCT08

Honeywell **LIMIT SWITCH** **GLS** **MTG-GL-167**



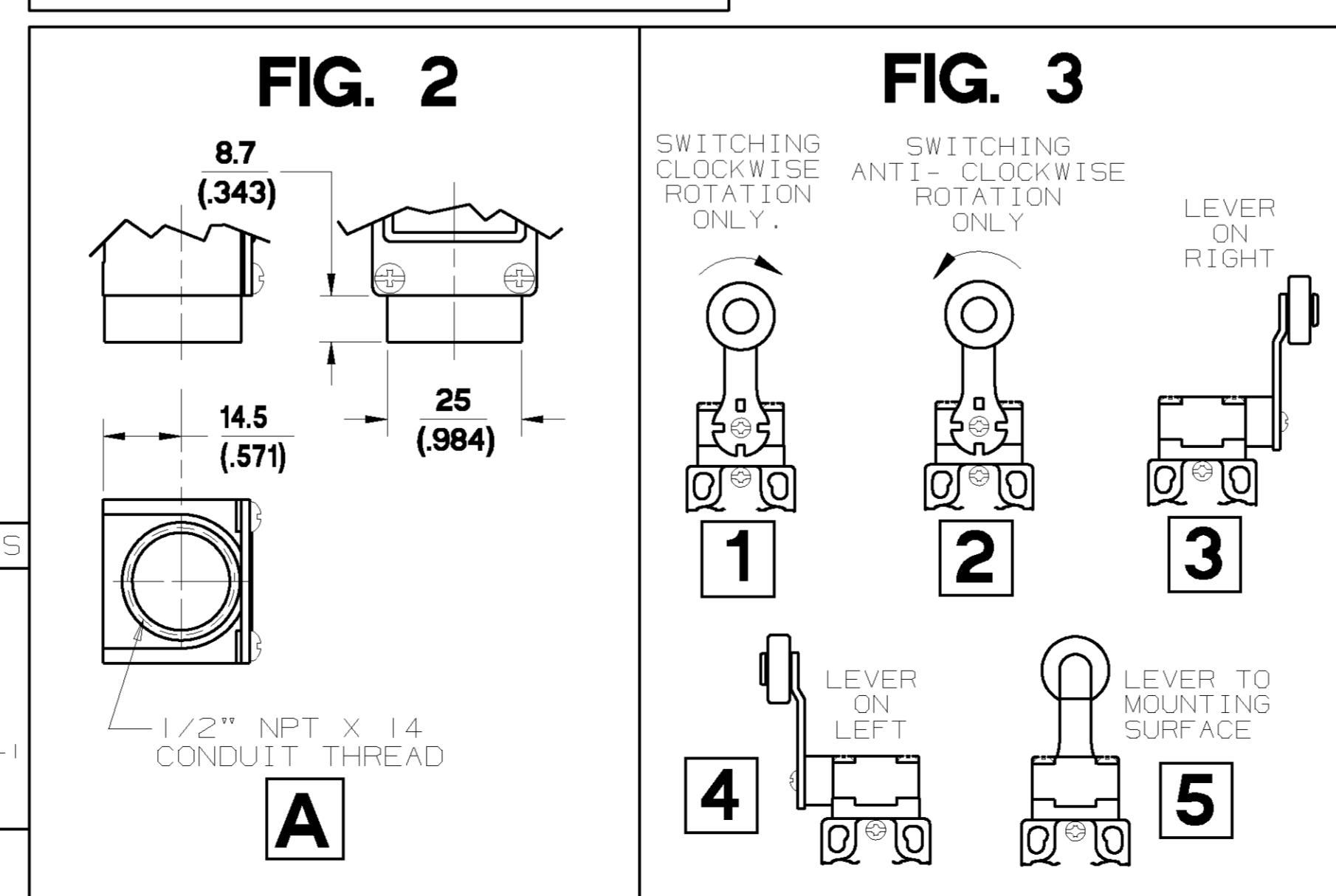
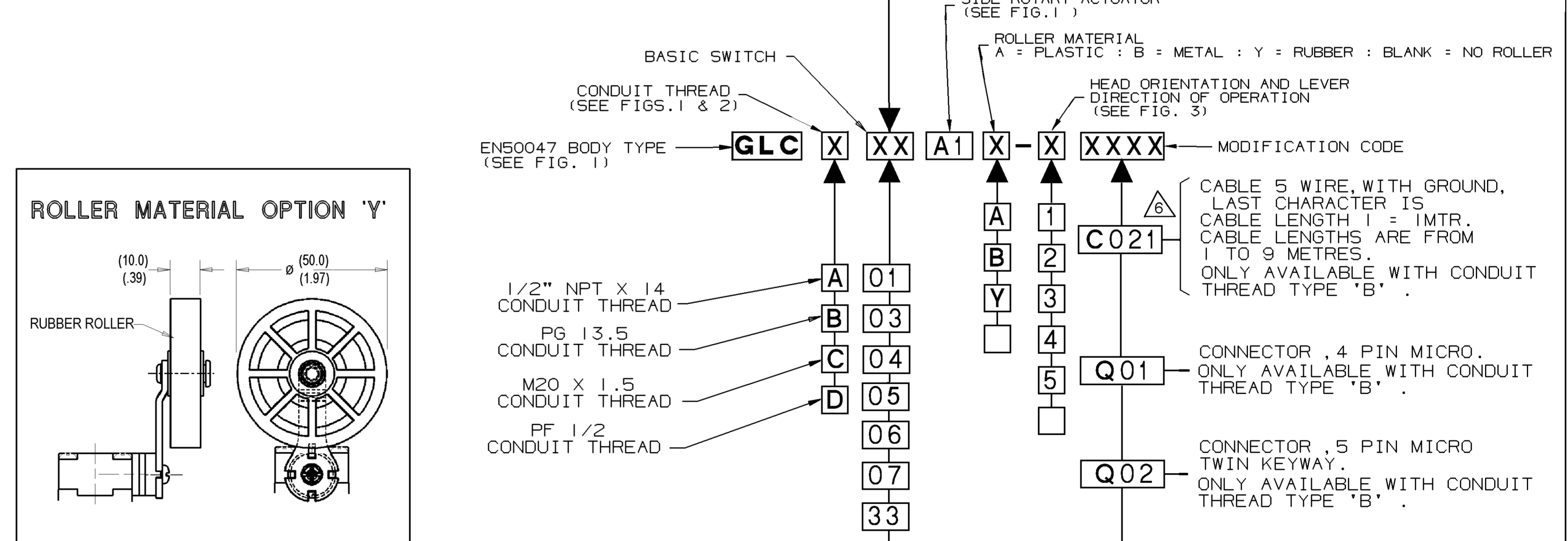
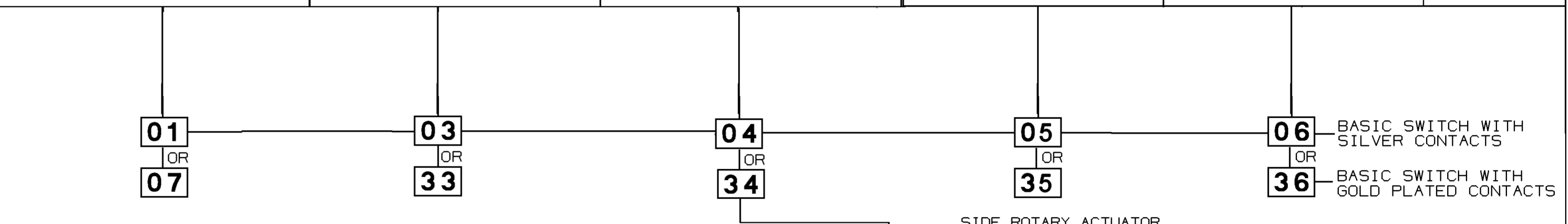
NOTES:-

- ZINC DIECAST BODY AND HEAD WITH STEEL COVER. BODY AND COVER FINISHED IN MICRO SWITCH BLUE EPOXY PAINT. HEAD FINISHED IN BLACK EPOXY PAINT.
- MINIMUM OPERATING VELOCITY (V_{min}) = 2.0 MM/S (THESE LIMITS APPLY TO CAM OPERATION AS SHOWN IN THE ABOVE DIAGRAMS ONLY)
 MAXIMUM OPERATING VELOCITY (V_{max}) = 200 MM/S
 MAXIMUM OPERATING FREQUENCY (F_{max}) = 250 OPS/MIN
- FREE POSITION (FP), OPERATING POINT (OP), OVERTRAVEL (OT) AND PRETRAVEL (PT) ALL TO EN50047.
- MAXIMUM TIGHTENING TORQUE FOR FIXING SCREW = 0.5Nm (4.4in.LB)
- ANY STANDARD LISTING WITH SUFFIX 'RS' OR 'FE' IS PERMITTED.
- CABLED PRODUCTS TEMP RANGE -25°C TO 85°C (-3°F TO 185°F)

NO CHANGES CAN BE MADE TO THIS DRAWING WITHOUT JOINT NEWHOUSE/FREEPORT APPROVAL

3/93	STANDARD SILVER CONTACTS	GOLD PLATED CONTACTS		
3/93	ELECTRICAL RATING	ELECTRICAL RATING	ENVIRONMENTAL	APPROVALS
3/93	AC A300 AC15 Ue Ie	DC O300 DC13 Ue Ie	IP66 NEMA 1, 4, 12, 13 TEMP RANGE : -40°C TO 85°C -40°F TO 185°F STORAGE : -40°C TO 85°C -40°F TO 185°F	UL 6 IEC 60947-5-1 EN50047
	VOLTS AMPS 120 6 240 3	VOLTS AMPS 125 0.55 250 0.27	I _{th} = 10A IV 10µA MIN. 50V 100mA MAX.	
	SHOCK : 50G PER IEC 68-2-27 VIBRATION : 10G PER IEC 68-2-6			
	SCALE 1:1		DIMENSIONS ARE IN MM/INCHES.	RASTER

SNAP-ACTION CONTACTS	SLOW-ACTION CONTACTS (BREAK BEFORE MAKE)	SLOW-ACTION CONTACTS (MAKE BEFORE BREAK)	SLOW-ACTION CONTACTS (2 NORMALLY OPEN)	SLOW-ACTION CONTACTS (2 NORMALLY CLOSED)	CONTACT BLOCK DIAGRAM TERMINAL DESIGNATION TO EN 50013
 FP = 0° OP = 26° RP = 145° DT = 115° * = 54° TOTAL TRAVEL = 70° MIN.	 FP = 0° OP = 26° * = 34° OP2 = 36° TOTAL TRAVEL = 70° MIN.	 FP = 0° OP = 23° * = 50.5° OP2 = 39° TOTAL TRAVEL = 70° MIN.	 FP = 0° OP = 36° TOTAL TRAVEL = 70° MIN.	 FP = 0° OP = 26° * = 46.5° TOTAL TRAVEL = 70° MIN.	NOMINAL TRAVELS AND RELATED TERMINALS * POSITIVE OPENING TO IEC 60947-5-1
120 (1.1)	110 (1.0)	110 (1.0)	110 (1.0)	110 (1.0)	NORMAL OPERATING TORQUE MAX (in.lbs) Nmm
140 (1.3)	160 (1.5)	170 (1.6)	150 (1.4)	150 (1.4)	MAXIMUM DISCONNECT TORQUE (in.lbs) Nmm



EN50047 BODY TYPE (SEE FIG. 1) → **GLC** **X** **XX** **A1** **X** **XXX** **XXXX** → **MODIFICATION CODE**

CONDUIT THREAD (SEE FIGS. 1 & 2)

- 1/2" NPT X 14 CONDUIT THREAD → **A** **01**
- PG 13.5 CONDUIT THREAD → **B** **03**
- M20 X 1.5 CONDUIT THREAD → **C** **04**
- PF 1/2 CONDUIT THREAD → **D** **05** **06** **07** **33** **34** **35** **36**

ROLLER MATERIAL
 A = PLASTIC : B = METAL : Y = RUBBER : BLANK = NO ROLLER

HEAD ORIENTATION AND LEVER DIRECTION OF OPERATION (SEE FIG. 3)

- A** **1** **2** **3** **4** **5** → **Q01** → CONNECTOR, 4 PIN MICRO. ONLY AVAILABLE WITH CONDUIT THREAD TYPE 'B'.
- Q02** → CONNECTOR, 5 PIN MICRO TWIN KEYWAY. ONLY AVAILABLE WITH CONDUIT THREAD TYPE 'B'.
- Q03** → CONNECTOR, 4 PIN MINI. ONLY AVAILABLE WITH CONDUIT THREAD TYPE 'B'.
- Q04** → CONNECTOR, 5 PIN MINI. ONLY AVAILABLE WITH CONDUIT THREAD TYPE 'B'.
- Q07** → CONNECTOR, 5 PIN MICRO. ONLY AVAILABLE WITH CONDUIT THREAD TYPE 'B'.

NOTE:
 FOR CONNECTION DIAGRAMS AND ADDITIONAL ELECTRICAL, ENVIRONMENTAL & DIMENSIONAL INFORMATION SEE DRAWING GL-4922.