

MTG-GL-191

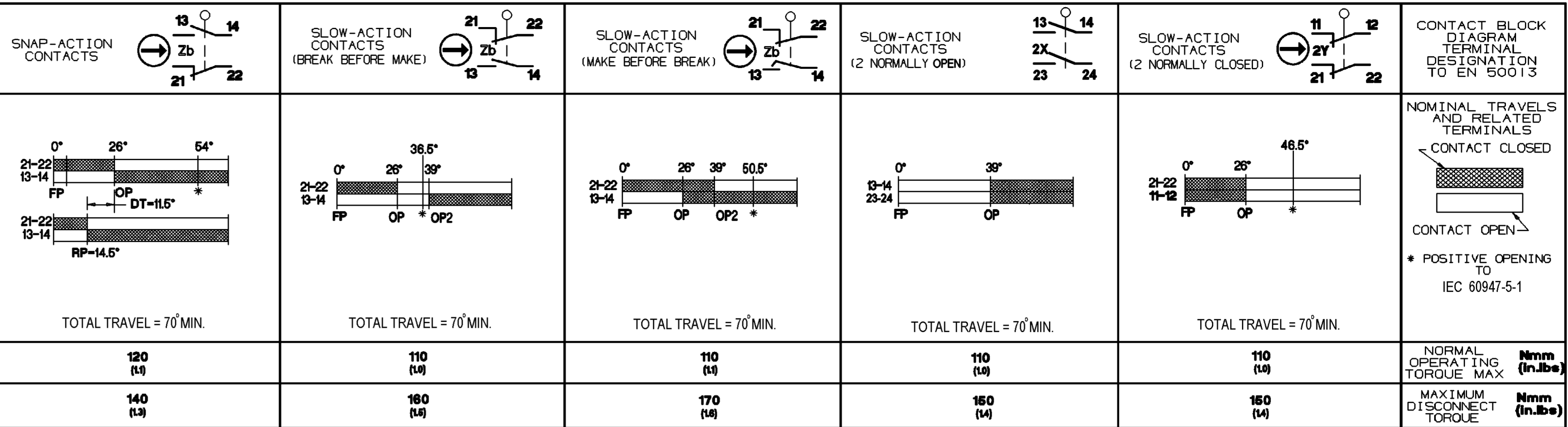
REPLACES
DRAWING NUMBER
AO18-185

REVISIONS

2	7/96
3	12/96
4	7/97
5	8/97
6	CO/395
7	CO#2667
8	0007574
9	0022572
10	0037216
11	0044283

Honeywell **LIMIT SWITCH**

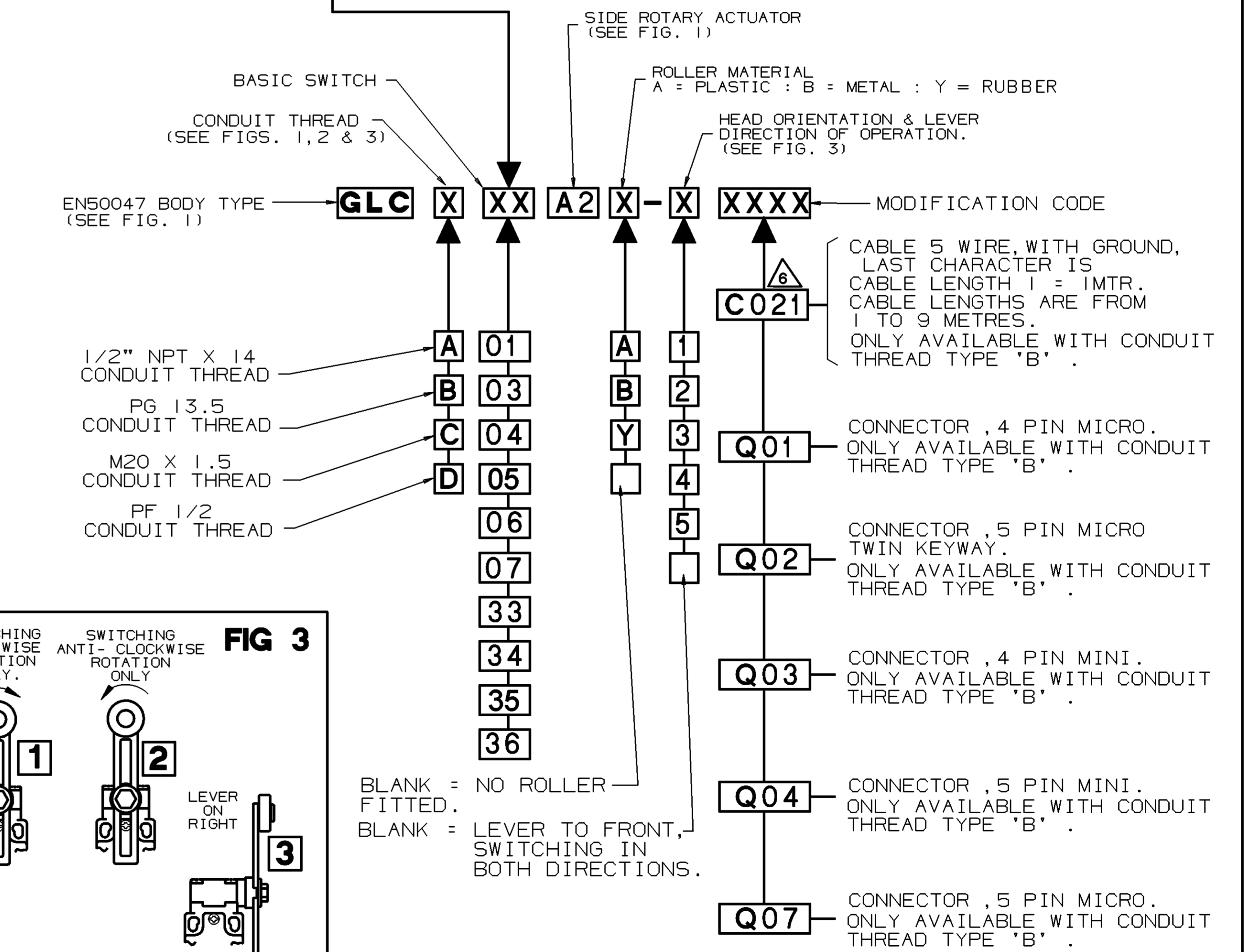
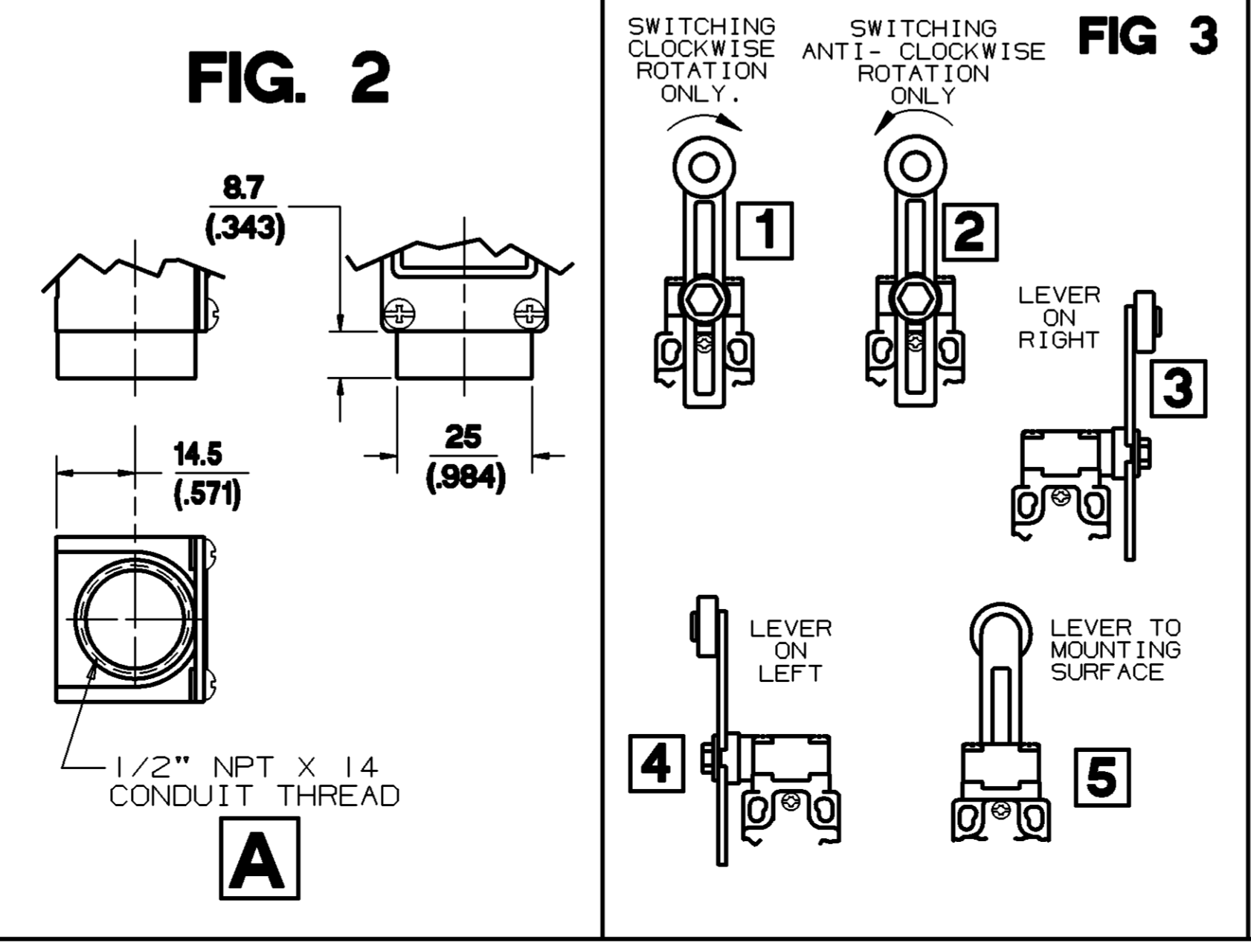
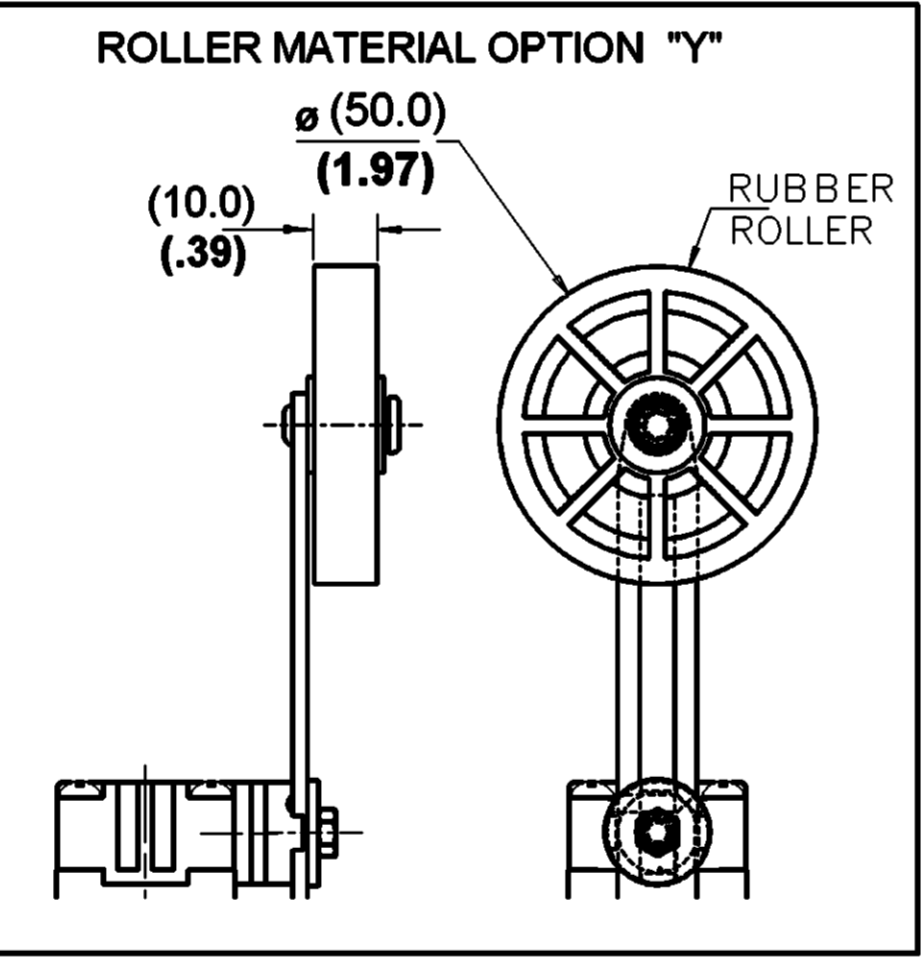
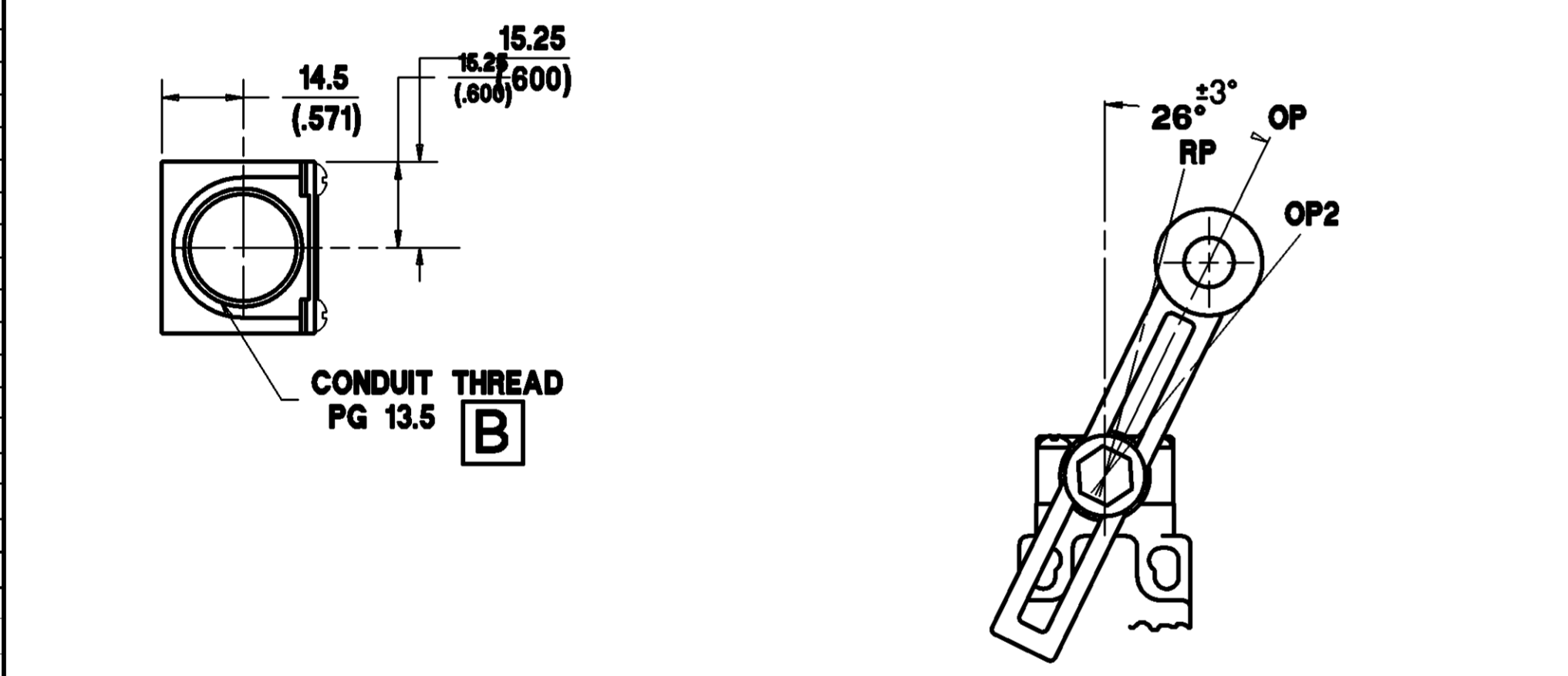
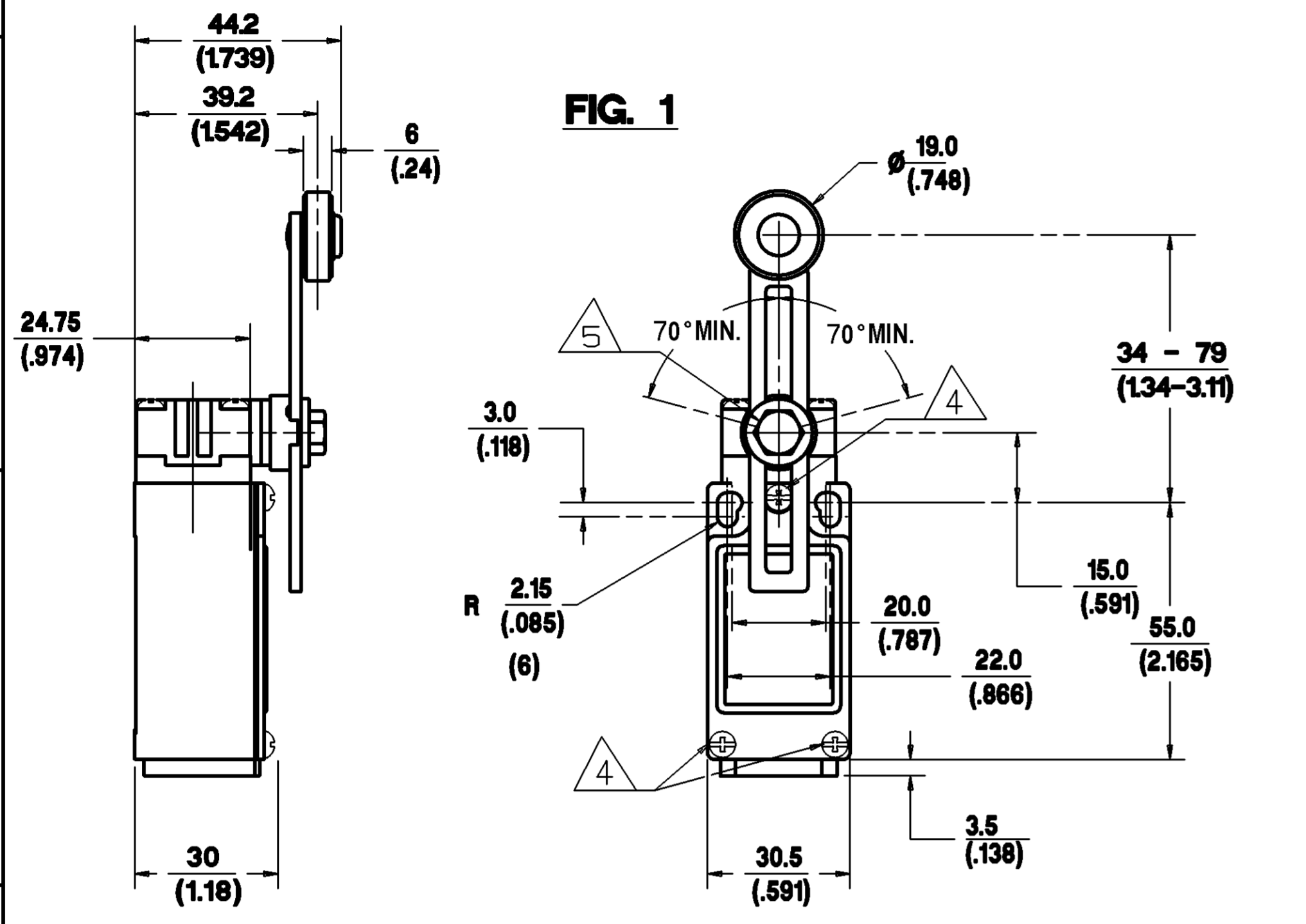
CATALOGUE LISTING
GLS
CHART NO.
MTG-GL-191



120 (L1)	110 (L1)	110 (L1)	110 (L1)	110 (L1)
140 (L3)	160 (L4)	170 (L4)	150 (L4)	160 (L4)

01 OR 07 03 OR 33 04 OR 34 05 OR 35 06 OR 36

BASIC SWITCH WITH SILVER CONTACTS
BASIC SWITCH WITH GOLD PLATED CONTACTS



- NOTES:-
- ZINC DIECAST BODY AND HEAD WITH STEEL COVER. BODY AND COVER FINISHED IN MICRO SWITCH BLUE EPOXY PAINT. HEAD FINISHED IN BLACK EPOXY PAINT.
 - MINIMUM OPERATING VELOCITY (Vmin) = 0.26 rad/s
MAXIMUM OPERATING VELOCITY (Vmax) = 25 rad/s
MAXIMUM OPERATING FREQUENCY (Fmax) = 250 OPS/MIN
 - FREE POSITION (FP), OPERATING POINT (OP), OVERTRAVEL (OT) AND PRETRAVEL (PT) ALL TO EN50047.
 - MAXIMUM TIGHTENING TORQUE FOR FIXING SCREW = 0.5Nm (4.4in.LB)
 - MAXIMUM TIGHTENING TORQUE FOR FIXING SCREW = 0.8Nm (7in.LB)
 - CABLED PRODUCTS TEMP RANGE -25°C TO 85°C
-3°F TO 185°F

NO CHANGES CAN BE MADE TO THIS DRAWING WITHOUT JOINT NEWHOUSE/FREEPORT APPROVAL

STANDARD SILVER CONTACTS	GOLD PLATED CONTACTS	ENVIRONMENTAL		APPROVALS
ELECTRICAL RATING		ENVIRONMENTAL		 IEC 60947-5-1 EN50047
AC	DC	IP66 NEMA 1, 4, 12, 13		
A300 AC15 Ue Ie	O300 DC13 Ue Ie	TEMP RANGE : -40°C TO 85°C -40°F TO 185°F STORAGE : -40°C TO 85°C -40°F TO 185°F		
VOLTS AMPS 120 6 240 3	VOLTS AMPS 125 0.55 250 0.27	SHOCK : 50G PER IEC 68-2-27 VIBRATION : 10G PER IEC 68-2-6		
Ith = 10A		SCALE 1:1		
IV 10µA MIN. 50V 100mA MAX.		DIMENSIONS ARE IN MM/INCHES.		
RASTER		RASTER		

NOTE:- ANY STANDARD LISTING WITH SUFFIX 'RS' OR 'FE' IS PERMITTED.

NOTE FOR CONNECTION DIAGRAMS AND ADDITIONAL ELECTRICAL, ENVIRONMENTAL & DIMENSIONAL INFORMATION SEE DRAWING GL-4922.