

HONEYWELL PART NUMBER

REV	DOCUMENT	CHANGED BY	CHECK
D	0086655	DJS	20FEB12 CMH

WGL A

SPECIALS

BODY TYPE CODE		SOFTWARE VERSION CODE	RF CODE	ANTENNA TYPE CODE ⁵ / ₁₀		COUNTRY USE CODE ⁵ / _B	OPERATING HEAD CODE		LEVER CODE		ROLLER CODE		MODIFICATION CODE		
A	EN50041, METAL DIN ENCLOSURE	1	VERSION 1	A	2.4 GHz; IEEE 802.15.4	A	US, CANADA, MEXICO	A	SIDE ROTARY MOMENTARY	NONE	NOT APPLICABLE	NONE	NOT APPLICABLE	NONE	NOT APPLICABLE
										1	STANDARD FIXED LENGTH	A	19 X 6,35 (.75 X .25) NYLON	3	HEAD ASSEMBLED WITH ACTUATOR TO RIGHT SIDE
										2	ADJUSTABLE ROLLER	B	19 X 6,35 (.75 X .25) STEEL	4	HEAD ASSEMBLED WITH ACTUATOR TO LEFT SIDE
										3	YOKE ROLLER	D	38,1 X 6,35 (1.5 X .25) NYLON	5	HEAD ASSEMBLED WITH ACTUATOR TOWARDS MOUNTING SURFACE
										4	ADJUSTABLE ROD	J	200mm ALUMINUM ADJUSTABLE ROD	6	ROLLER PERPENDICULAR TO MOUNTING SURFACE
										5	OFFSET	K	140mm ALUMINUM ADJUSTABLE ROD		
												N	318mm STAINLESS STEEL ADJUSTABLE ROD		
												T	19 X 8,76 (.75 X .345) STAINLESS STEEL		
												W	40,0 X 12,7 (1.5 X .5) RUBBER		
												Y	50,9 X 12,7 (2.0 X .5) RUBBER		

RADIO	WPAN 802.15.4; 2.4GHz POINT TO POINT; GLOBAL, LICENSE-FREE BANDS
SIGNAL RANGE	NOMINAL 250 m* FOR INTERNATIONAL USE (EUROPE AND AUSTRALIA DUE TO SIGNAL RESTRICTIONS); NOMINAL 1000 ft* FOR USE IN US AND CANADA *CLEAR LINE OF SIGHT BETWEEN LIMITLESS SWITCH AND MONITOR/RECEIVER WHEN USING A 2.1 dBi INTEGRAL ANTENNA
HOUSING MATERIAL/TYPE	POWDER COATED ZINC DIE-CAST/EN 50041
BATTERY	3.6 Vdc LITHIUM THIONYL CHLORIDE; 2/3 AA size; MANUFACTURED BY UNIWELL, PART NUMBER DEV-10-009; HONEYWELL P/N WBT1
SEALING	IP67, NEMA 1,4,12,13
EMC	LATEST APPLICABLE STANDARDS: EN 300 328, VI.7.1; EN 61326-1 (2006); EN 301 489-1, VI.8.1; EN 301 489-17, V2.1.1
SHOCK	IEC 60068-2-27; HALF SINE, 10g, 6ms, 3 AXIS
VIBRATION	IEC 60068-2-6; 10-500Hz w/.35 mm- PEAK-TO-PEAK, 58-500 Hz-5g
OPERATING TEMPERATURE	-25°C to 85°C (-13°F TO 185°F); SIDE ROTARY to -40°C /-40°F (ALL PRODUCTS STORAGE TEMP. RANGE -40°C TO +85°C /-40°F TO 185°F)
WEIGHT	510g APPROX. WITHOUT ANTENNA

- NOTES:
- END USER WILL REQUIRE A HONEYWELL WPMM MONITOR OR WDRR RECEIVER UNIT TO RECEIVE SIGNAL FROM THESE WGL PRODUCTS
 - HEADS MAY BE INDEXED IN 90° INCREMENTS
 - LEVERS MAY BE KEYED TO SHAFT AT 90° INCREMENTS. THEY MAY ALSO BE ATTACHED BUT NOT KEYED ANYWHERE ON THE SHAFT
 - FOR ADDITIONAL LEVERS SEE INSTALLATION DRAWING GLZ5 SERIES CHART 1
 - ONLY ANTENNA TYPE CODES 00, 01, 02, 03, 05, 10 & 11 AVAILABLE WITH COUNTRY USE CODE B, ALL ANTENNA TYPE CODES AVAILABLE FOR COUNTRY USE CODES A & C
 - FREE POSITION, OPERATE POINT, OVERTRAVEL AND PRETRAVEL ALL TO EN50041
 - CAM TRAVEL FOR FIG. 8 ONLY APPLIES WHEN LEVER IS ADJUSTED TO 38.1
 - SWITCH WILL REQUIRE AN ANTENNA TO FUNCTION PROPERLY
 - 5.5 dBi & 9.0 dBi ANTENNAS RATED FOR LIMITED OUTDOOR EXPOSURE. PROTECT AGAINST DIRECT RAIN, SLEET, SNOW & ICE ETC. EXPOSURE.
 - FOR ADDITIONAL ANTENNA DETAILS SEE INDIVIDUAL HONEYWELL DRAWINGS LISTED IN THE ACCESSORIES & REPLACEMENT COMPONENT CHART
 - OPTIONAL ACCESSORIES & REPLACEMENT COMPONENTS PER THE ATTACHED CHART ARE OFFERED FOR SALE BY HONEYWELL

COUNTRY USE CODE A						COUNTRY USE CODE B					
ANTENNA TYPE CODE ALLOWED FOR USE	ANTENNAS ALLOWED TO BE USED FOR INTEGRAL MOUNT	ANTENNAS ALLOWED TO BE USED FOR REMOTE MOUNT	ANTENNAS ALLOWED TO BE USED WITH MAGNETIC REMOTE MOUNT ASSEMBLIES WAMM100RSP-005 WAMM100RSP-010	ANTENNAS ALLOWED TO BE USED WITH ONE (1) EXTENSION CABLE ASSEMBLIES REMOTE MOUNT WCA200RSJRSP-002 WCA200RSJRSP-005 WCA200RSJRSP-010 WCA200RSJRSP-015 WCA200RSJRSP-020	ANTENNAS ALLOWED TO BE USED WITH ONE (1) EXTENSION CABLE ASSEMBLIES FOR REMOTE MOUNT WCA200RNPRSP-002 WCA200RNPRSP-010	ANTENNA TYPE CODE ALLOWED FOR USE	ANTENNAS ALLOWED TO BE USED FOR INTEGRAL MOUNT	ANTENNAS ALLOWED TO BE USED FOR REMOTE MOUNT	ANTENNAS ALLOWED TO BE USED WITH MAGNETIC REMOTE MOUNT ASSEMBLIES WAMM100RSP-005	ANTENNAS ALLOWED TO BE USED WITH MAGNETIC REMOTE MOUNT ASSEMBLIES WAMM100RSP-010	ANTENNAS ALLOWED TO BE USED WITH ONE (1) EXTENSION CABLE ASSEMBLIES FOR REMOTE MOUNT WCA200RSJRSP-002 WCA200RSJRSP-010 WCA200RSJRSP-015 WCA200RSJRSP-020
00	WAN01RSP	WAN03RSP	WAN01RSP	WAN01RSP	WAN06RNJ	00	WAN01RSP	WAN03RSP	WAN01RSP	WAN01RSP	WAN01RSP
01	WAN02RSP	WAN06RNJ	WAN02RSP	WAN02RSP		01	WAN02RSP	WAN09RSP	WAN02RSP	WAN02RSP	WAN02RSP
02	WAN04RSP	WAN09RSP	WAN04RSP	WAN03RSP		02	WAN07RSP	WAN10RSP	WAN04RSP	WAN03RSP	WAN03RSP
03	WAN05RSP	WAN10RSP	WAN05RSP	WAN04RSP		03	WAN08RSP		WAN07RSP	WAN07RSP	WAN07RSP
04	WAN07RSP	WAN11RSP	WAN07RSP	WAN05RSP		05			WAN08RSP	WAN07RSP	WAN07RSP
05	WAN08RSP		WAN08RSP	WAN07RSP		10				WAN08RSP	WAN08RSP
06			WAN08RSP	WAN08RSP		11				WAN08RSP	WAN08RSP
07				WAN09RSP							WAN09RSP
08				WAN10RSP							WAN10RSP
09				WAN11RSP							WAN11RSP
10											
11											

COUNTRY USE CODE	COMMUNICATION AGENCY APPROVAL	COUNTRY
A	IC, COFETEL, FCC	CANADA, MEXICO, US
B	ACMA, ANATEL, SRRC, ETSI, KCC, WPC, IDA	AUSTRALIA, NEW ZEALAND, BRAZIL, CHINA EUROPEAN COUNTRIES*, KOREA, INDIA, SINGAPORE

*REFER TO WGLA TECHNICAL AND INSTALLATION MANUAL FOR FULL LIST OF COUNTRIES APPROVED

ACCESSORY CATALOG LISTING	SEE HONEYWELL DRAWING	DESCRIPTION
WAN01RSP	WAN01RSP	REPLACEMENT ANTENNA FOR ANTENNA TYPE CODE 01
WAN02RSP	WAN02RSP	REPLACEMENT ANTENNA FOR ANTENNA TYPE CODE 02
WAN03RSP	WAN03RSP	REPLACEMENT ANTENNA FOR ANTENNA TYPE CODE 03
WAN04RSP	WAN04RSP	REPLACEMENT ANTENNA FOR ANTENNA TYPE CODES 04 & 05, ANTENNA ONLY
WAN05RSP	WAN05RSP	REPLACEMENT ANTENNA FOR ANTENNA TYPE CODES 06 & 07, ANTENNA ONLY
WAN06RNJ	WAN06RNJ	REPLACEMENT ANTENNA FOR ANTENNA TYPE CODES 08 & 09, ANTENNA ONLY
WAN07RSP	WAN07RSP	REPLACEMENT ANTENNA FOR ANTENNA TYPE CODE 11
WCA200RNPRSP-002	WCA200RNPRSP	REPLACEMENT CABLE FOR ANTENNA CODE 08, CABLE ONLY
WCA200RNPRSP-010	WCA200RNPRSP	REPLACEMENT CABLE FOR ANTENNA CODE 09, CABLE ONLY
WAMM100RSP-005	WAMM100RSP	REPLACEMENT MAGNETIC MOUNT & CABLE FOR ANTENNA CODES 04 & 06
WAMM100RSP-010	WAMM100RSP	REPLACEMENT MAGNETIC MOUNT & CABLE FOR ANTENNA CODES 05, 07 & 10

DESIGN UNITS: MM TOLERANCES UNLESS NOTED:	DRAWN: MAM 16NOV09 CHECK: MAM 16NOV09	
NO PLACES .x ± 1.000 ONE PLACE .x ± 0.40 TWO PLACE .xx ± 0.150 THREE PLACE .xxx ± 0.005 ANGLES x ± 3°	THIS DRAWING COVERS A PROPRIETARY ITEM AND IS THE PROPERTY OF HONEYWELL. THIS DRAWING IS NOT TO BE COPIED OR USED WITHOUT THE PERMISSION OF HONEYWELL.	
THIRD ANGLE PROJECTION	INTERPRET PER ASME Y14.5M-1994 OTHER HONEYWELL ENGINEERING STANDARDS MAY APPLY	TITLE: SWITCH, LIMIT (WIRELESS) SIZE: A1 TYPE: 1 CAGE CODE: - DRAWING NAME: WGL SERIES CHART 1 REV: D SCALE: NONE SHEET: 1 OF 5

H
G
F
E
D
C
B
A

H
G
F
E
D
C
B
A

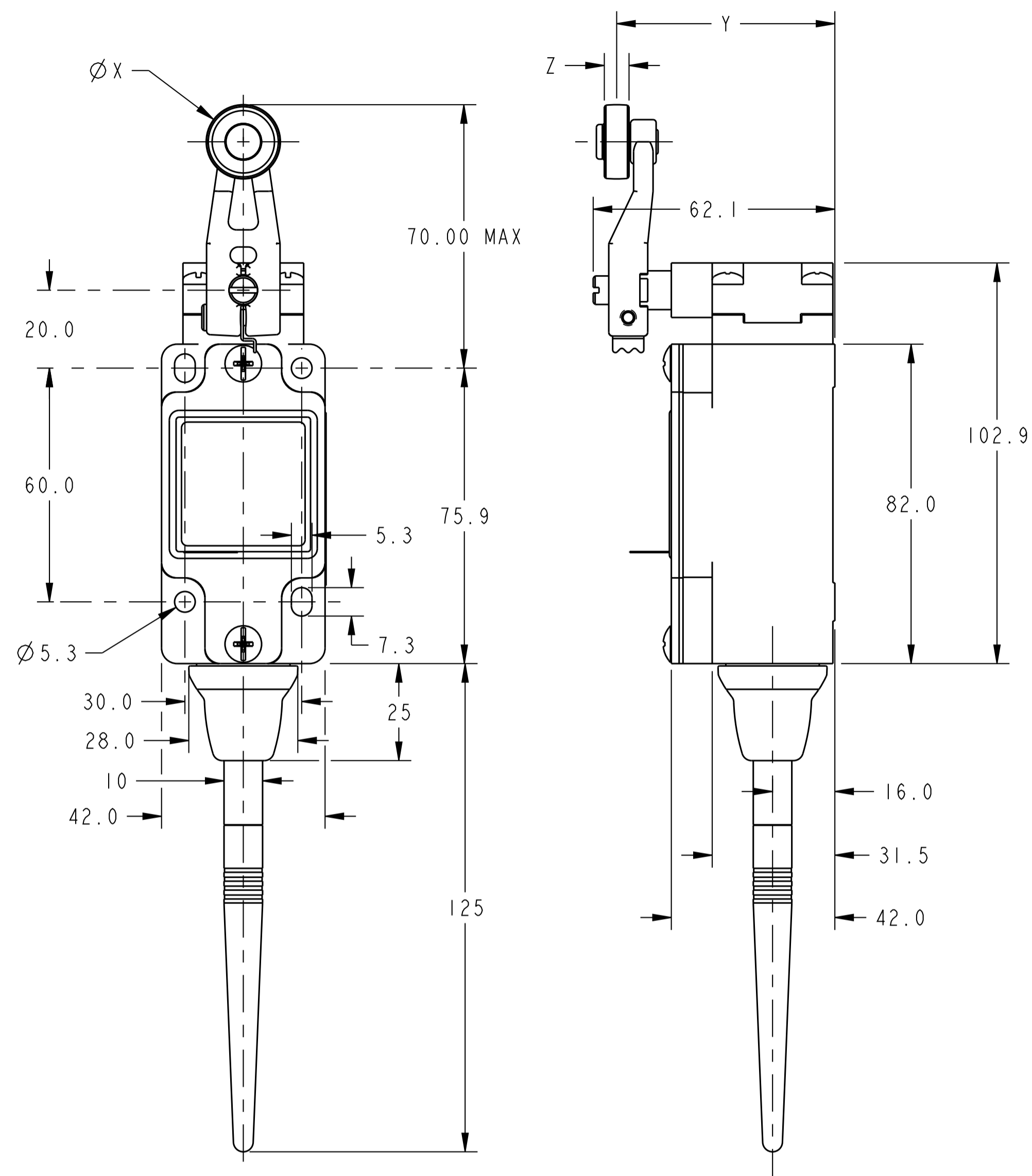


FIGURE 1 - SIDE ROTARY HEAD WITH GLZ51 SERIES LEVER

LEVER	ROLLER MATERIAL	X DIM	Y DIM	Z DIM
GLZ51A	NYLON	19.1	55.9	6.4
GLZ51B	STEEL	19.1	55.9	6.4
GLZ51T	STAINLESS STEEL	19.1	56.8	8.8
GLZ51Y	RUBBER	50.0	66.1	10.0

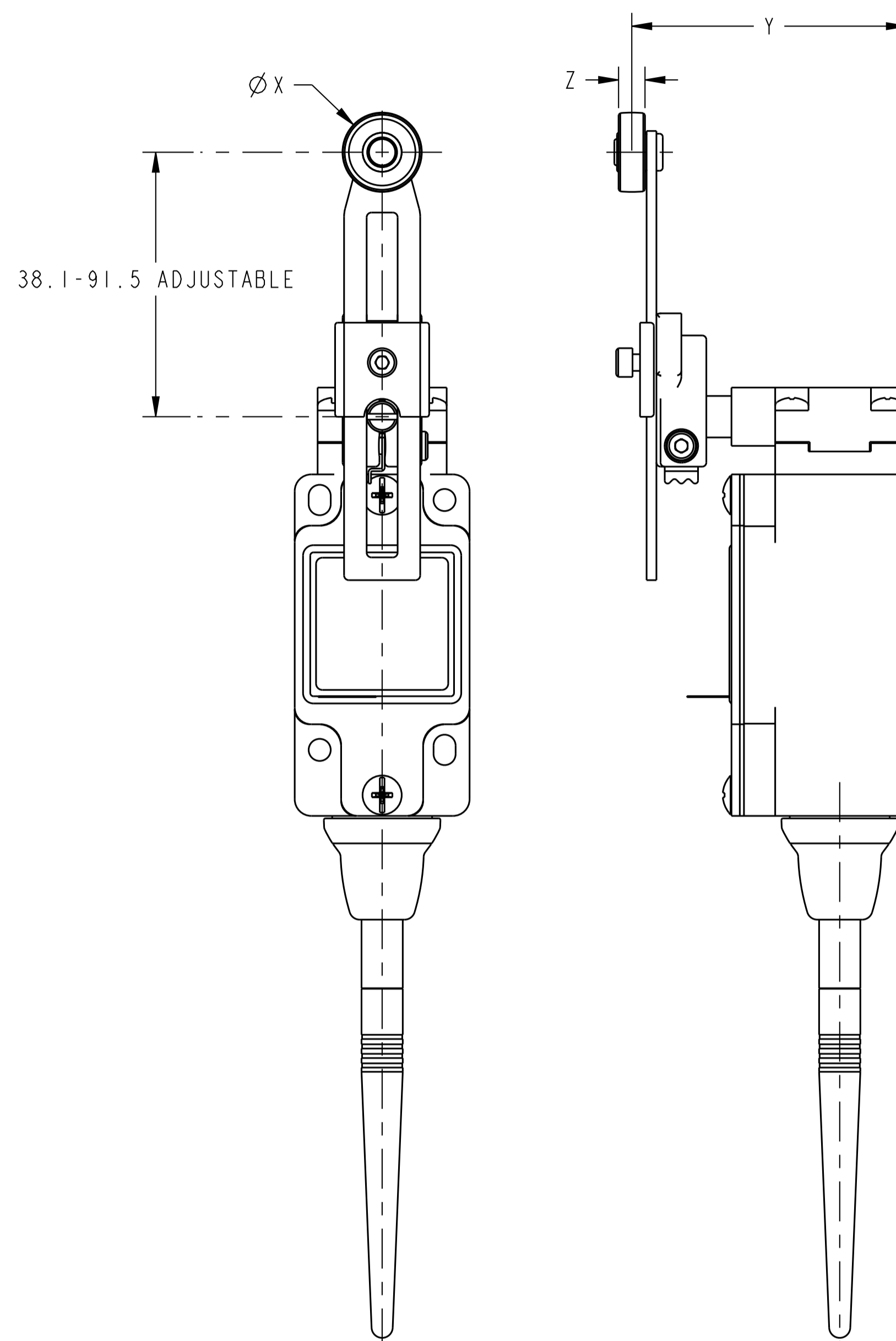


FIGURE 2 - SIDE ROTARY HEAD WITH GLZ52 SERIES LEVERS
OTHERWISE REFER TO FIGURE 1

LEVER	ROLLER MATERIAL	X DIM	Y DIM	Z DIM
GLZ52A	NYLON	19.1	65.9	6.4
GLZ52B	STEEL	19.1	65.9	6.4
GLZ52D	NYLON	38.1	65.9	6.4
GLZ52E	NYLON	19.1	79.4	33.1
GLZ52W	RUBBER	40.0	71.5	12.7
GLZ52Y	RUBBER	50.0	68.8	10.0

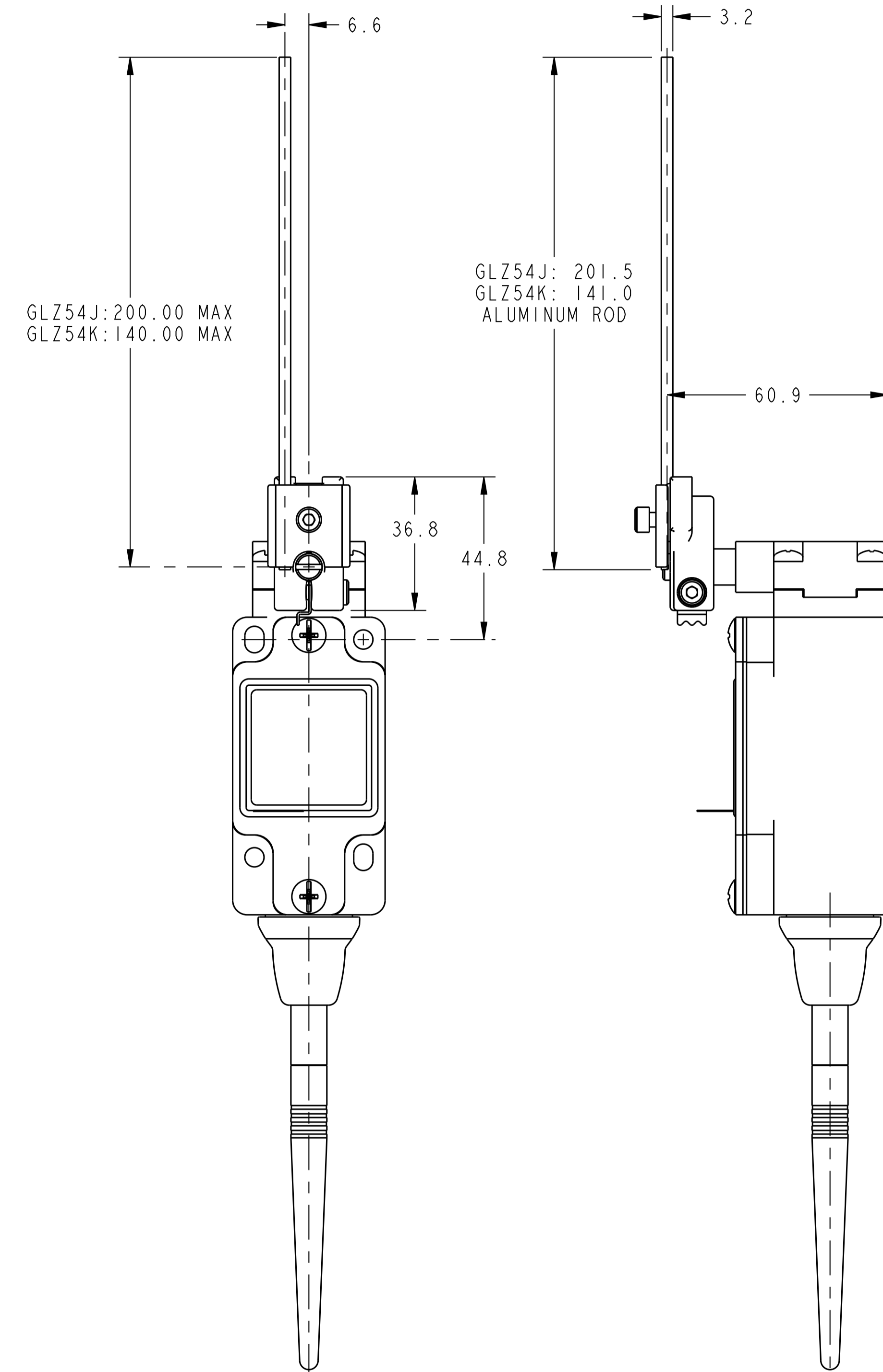


FIGURE 3 - SIDE ROTARY HEAD WITH GLZ54 SERIES LEVERS
OTHERWISE REFER TO FIGURE 1

SIDE ROTARY

THIS DRAWING COVERS A PROPRIETARY ITEM AND IS THE PROPERTY OF HONEYWELL. THIS DRAWING IS NOT TO BE COPIED OR USED WITHOUT THE PERMISSION OF HONEYWELL.		Honeywell			
		SIZE A1	TYPE I	CAGE CODE -	DRAWING NAME WGL SERIES CHART 1
SCALE 1:1		SHEET 2 OF 5			

H
G
F
E
D
C
B
A

H
G
F
E
D
C
B
A

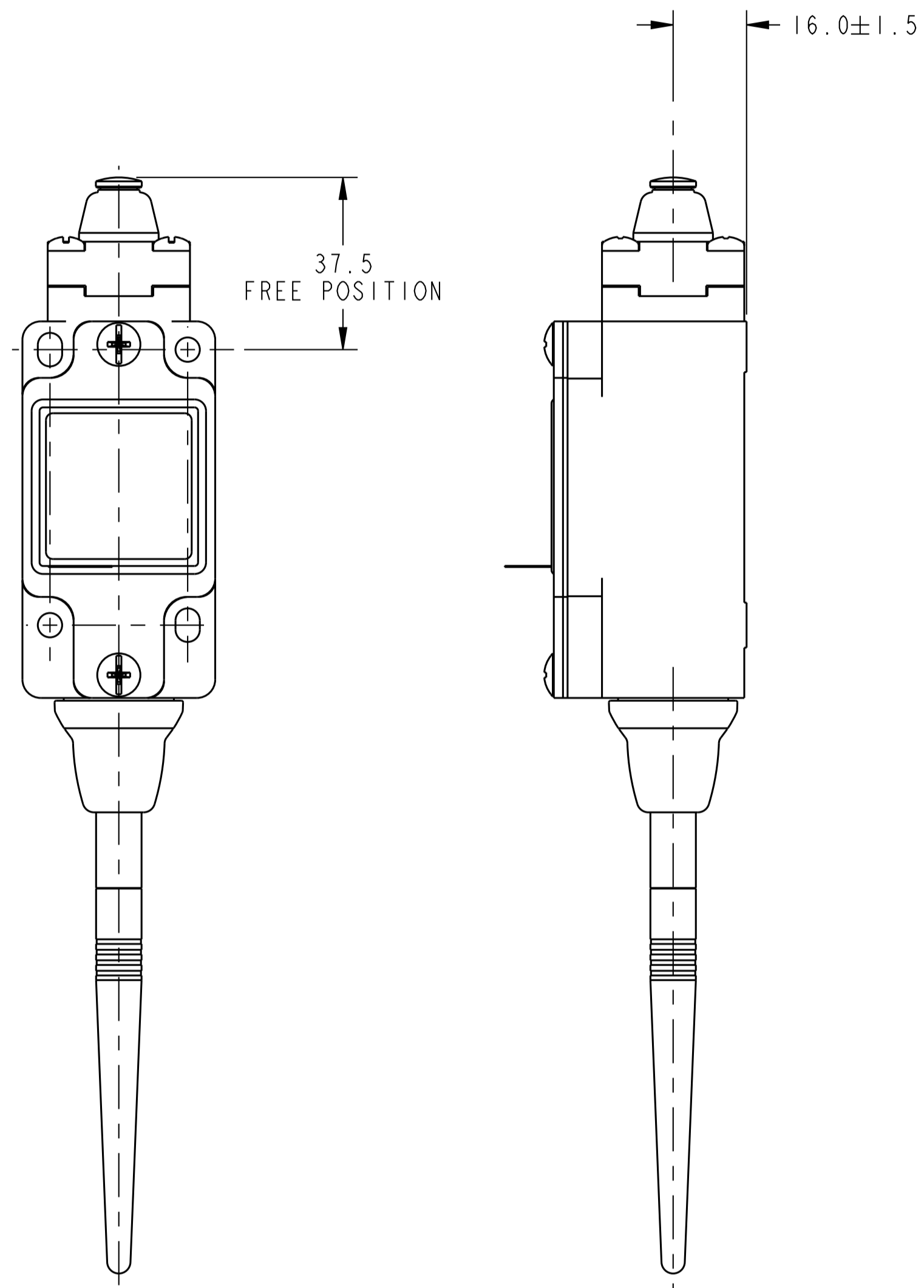


FIGURE 4 - TOP PIN PLUNGER HEAD
OTHERWISE REFER TO FIGURE 1

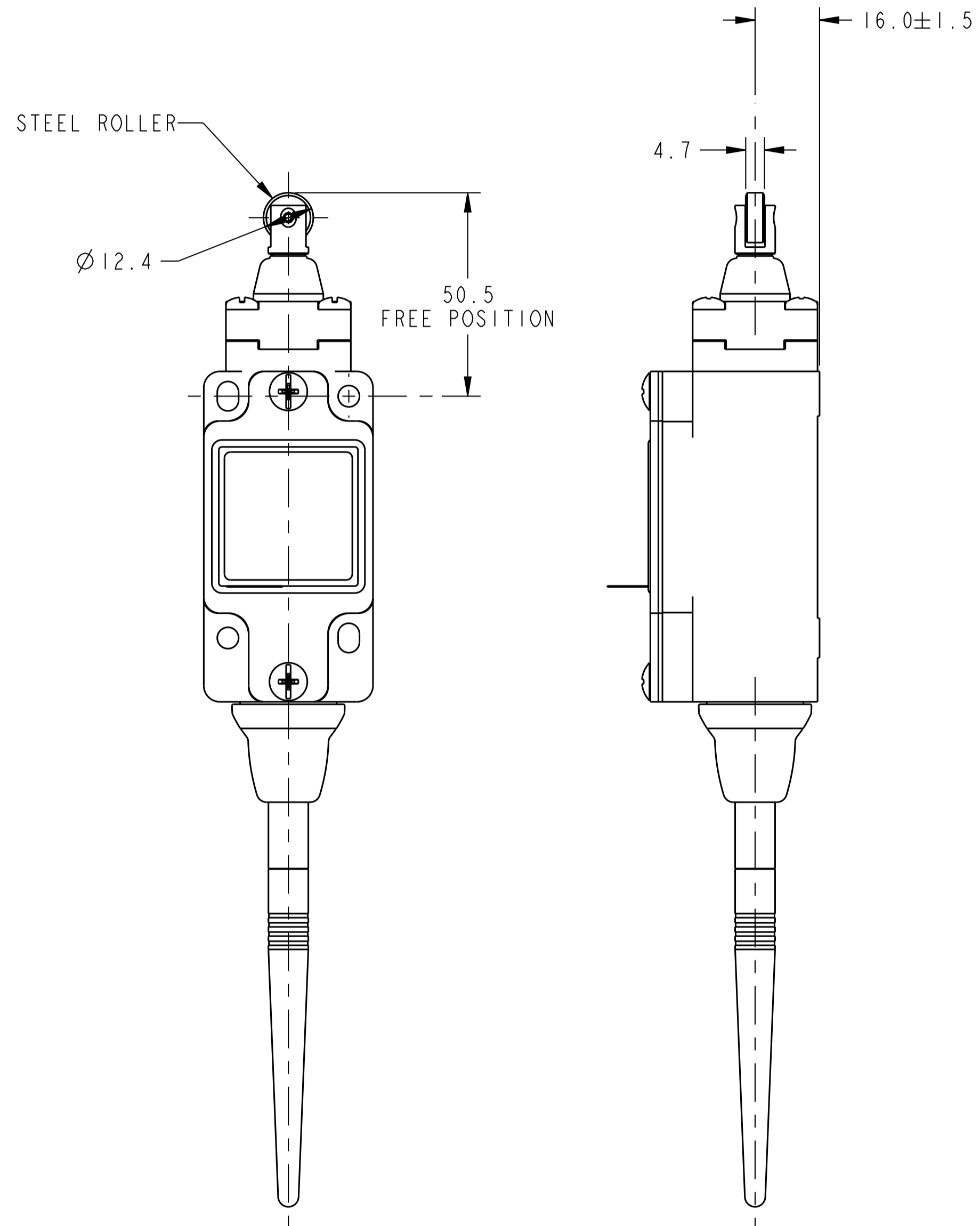


FIGURE 5 - TOP ROLLER PLUNGER HEAD
OTHERWISE REFER TO FIGURE 1

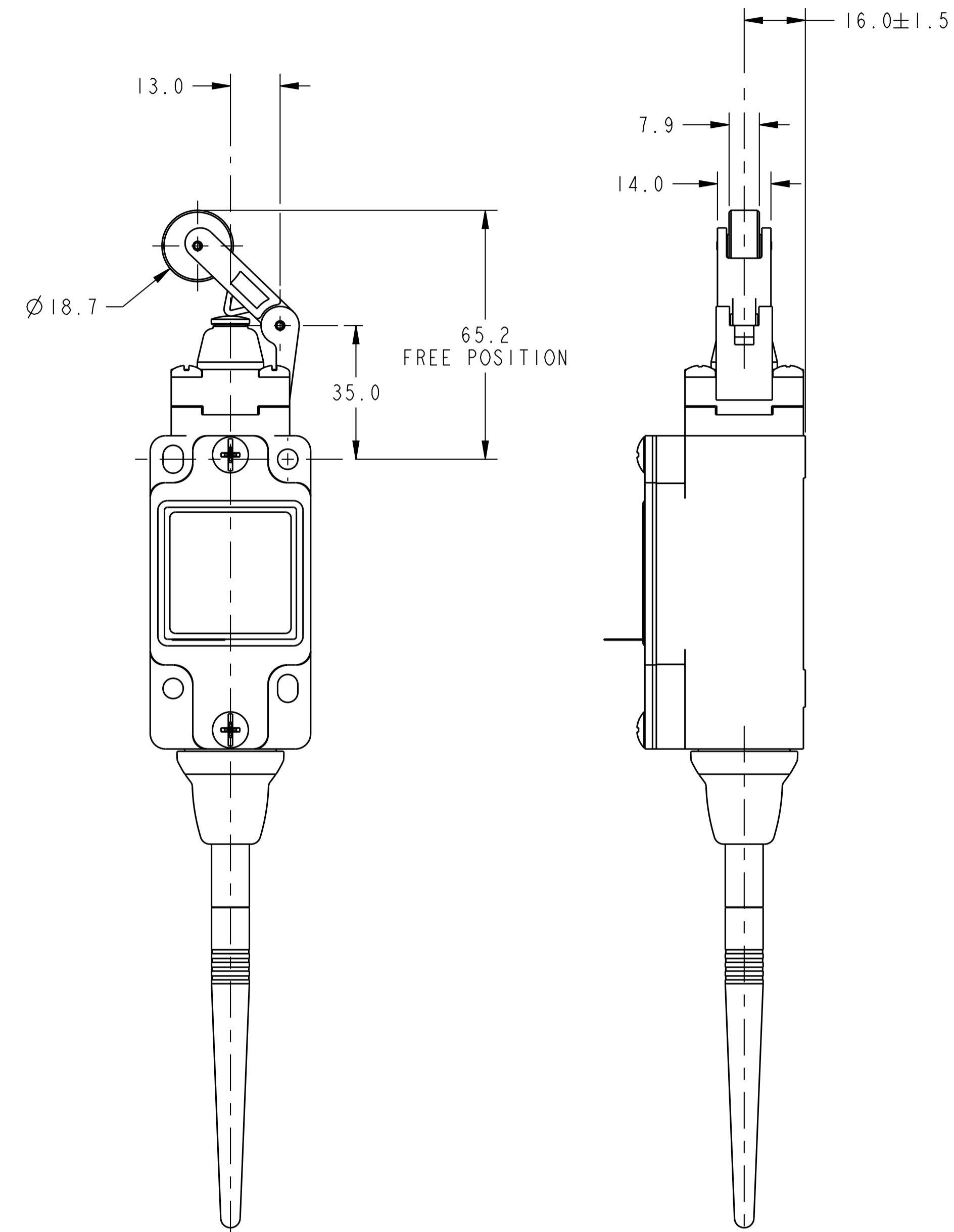


FIGURE 6 - TOP LEVER HEAD
OTHERWISE REFER TO FIGURE 1

THIS DRAWING COVERS A PROPRIETARY ITEM AND IS THE PROPERTY OF HONEYWELL. THIS DRAWING IS NOT TO BE COPIED OR USED WITHOUT THE PERMISSION OF HONEYWELL.

Honeywell

SIZE	TYPE	CAGE CODE	DRAWING NAME	REV
A1	I	-	WGL SERIES CHART 1	D
SCALE	1:1		SHEET	3 OF 5

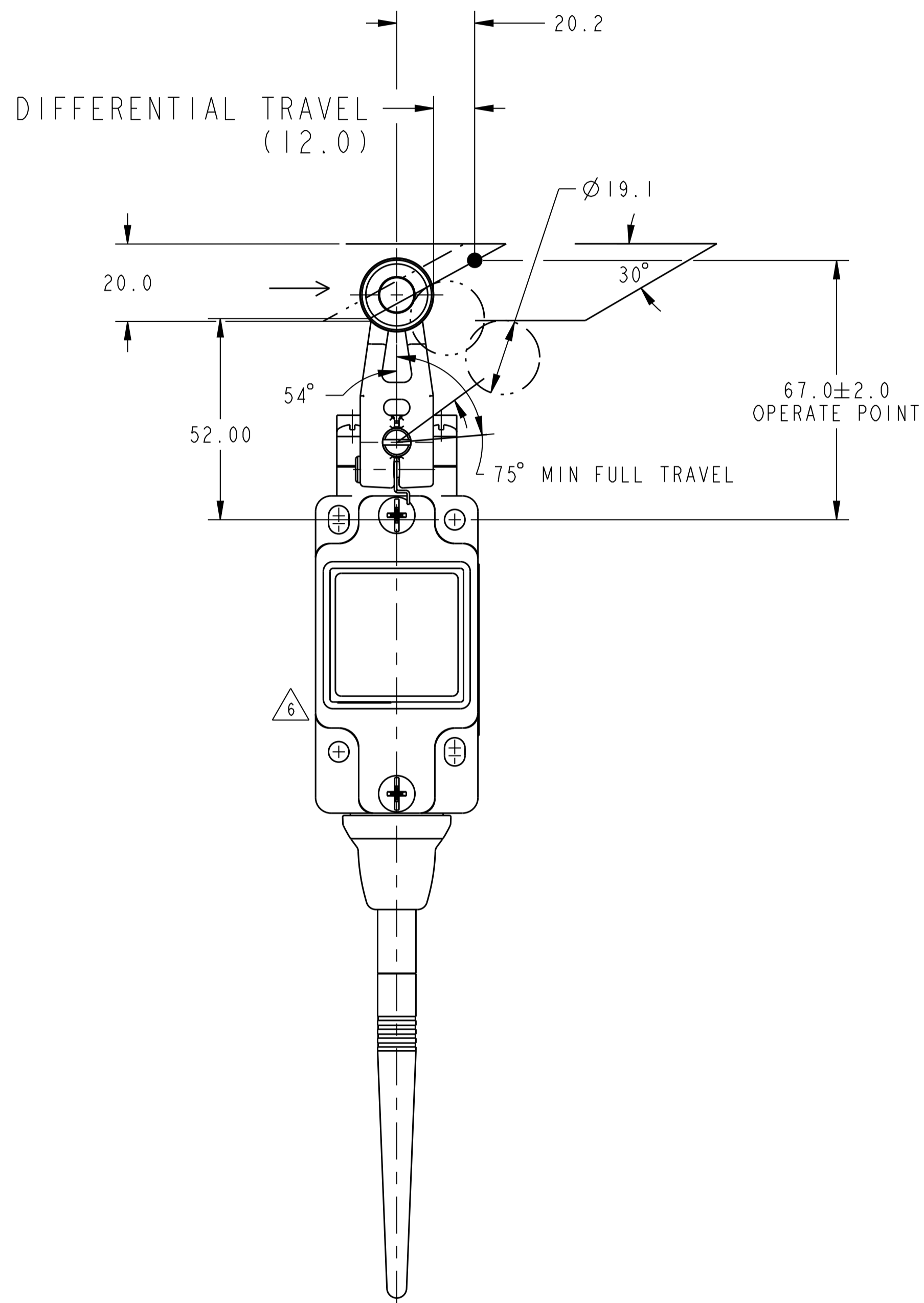


FIGURE 7

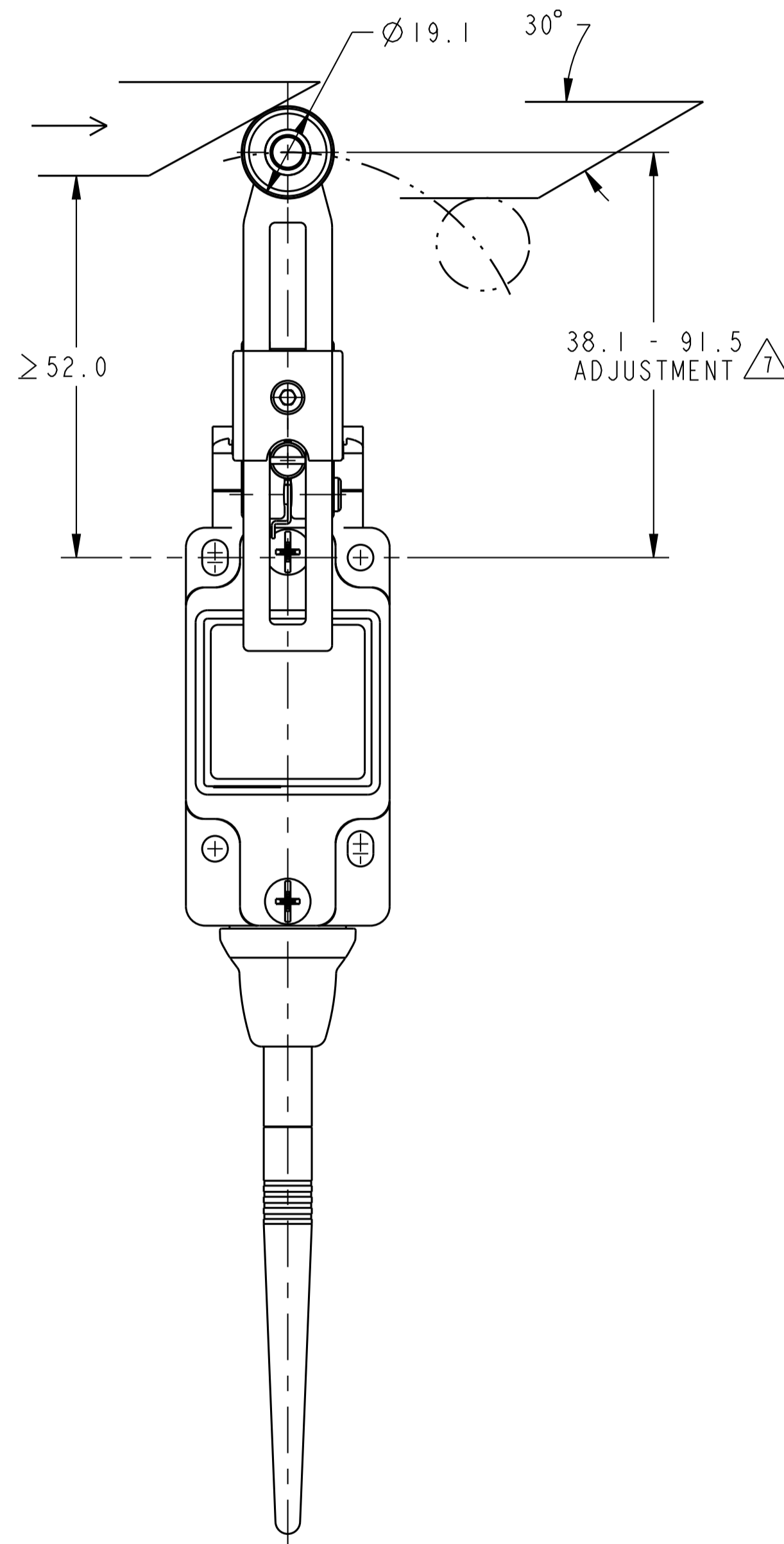


FIGURE 8

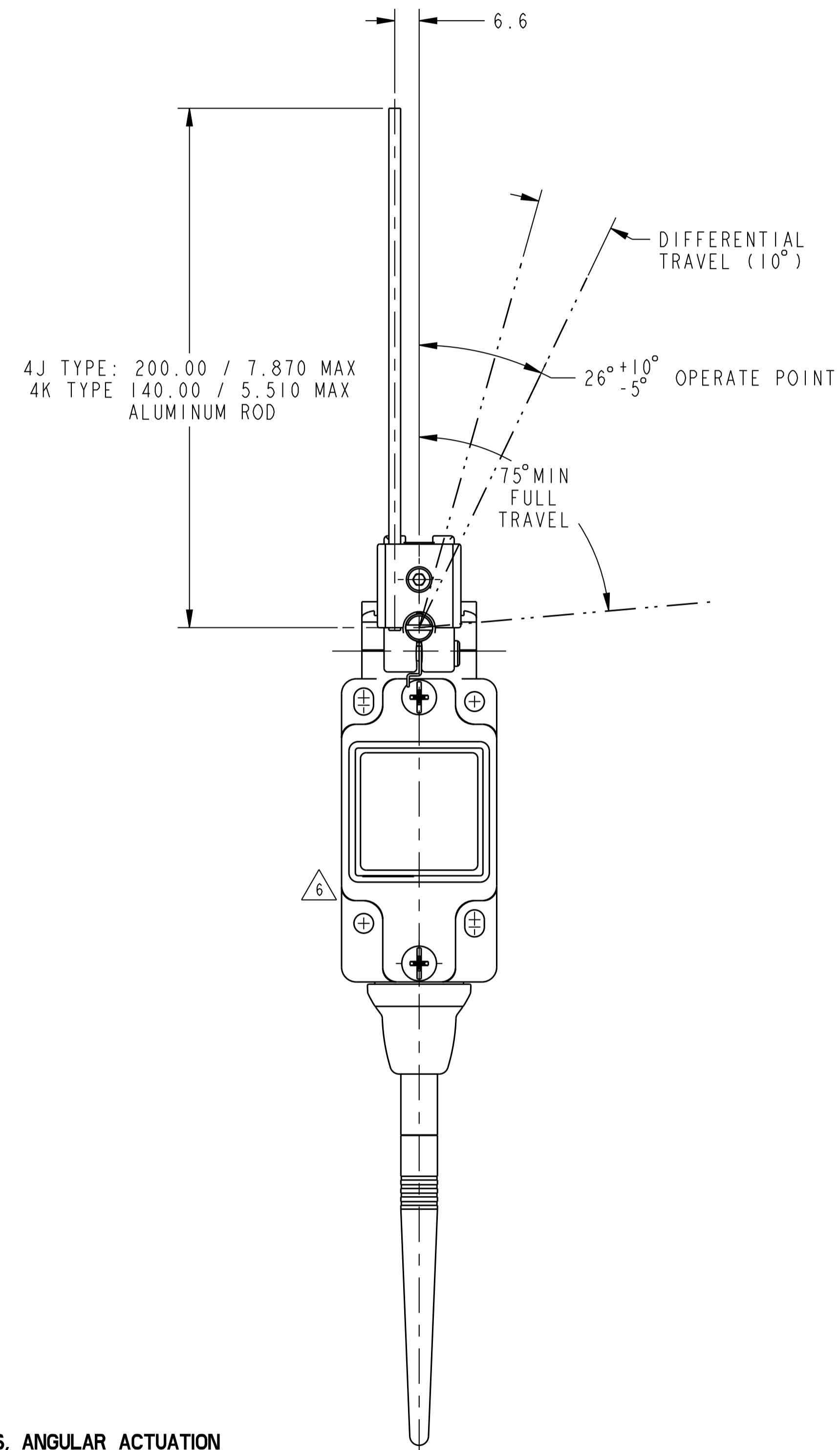



FIGURE 9

FIGURES 7 & 8, ROTARY HEADS, CAM ACTUATION 

MAXIMUM OPERATING FORCE: 9.7 N / 2.2 LB
 MAXIMUM DISCONNECT FORCE: 11.4 N / 2.6 LB
 MAXIMUM OPERATING VELOCITY: 85 M/S / 33.5 in/S
 MINIMUM OPERATING VELOCITY: 8.5 mm/S / .33 in/S
 MAXIMUM OPERATING FREQUENCY: 120 OPS/MIN

FIGURES 7, 8 & 9, SIDE ROTARY HEADS, ANGULAR ACTUATION

MAXIMUM OPERATING TORQUE / FORCE: .33 N-m / 2.9 LB-IN
 MAXIMUM DISCONNECT TORQUE: .385 N-m / 3.4 LB-IN
 MAXIMUM OPERATING DEGREES/S: 1290
 MINIMUM OPERATING DEGREES/S: 13
 MAXIMUM OPERATING FREQUENCY: 120 OPS/MIN

THIS DRAWING COVERS A PROPRIETARY ITEM AND IS THE PROPERTY OF HONEYWELL. THIS DRAWING IS NOT TO BE COPIED OR USED WITHOUT THE PERMISSION OF HONEYWELL.		Honeywell				
		SIZE	TYPE	CAGE CODE	DRAWING NAME	REV
		A1	I	-	WGL SERIES CHART 1	D
		SCALE	1:1	SHEET	4 OF 5	

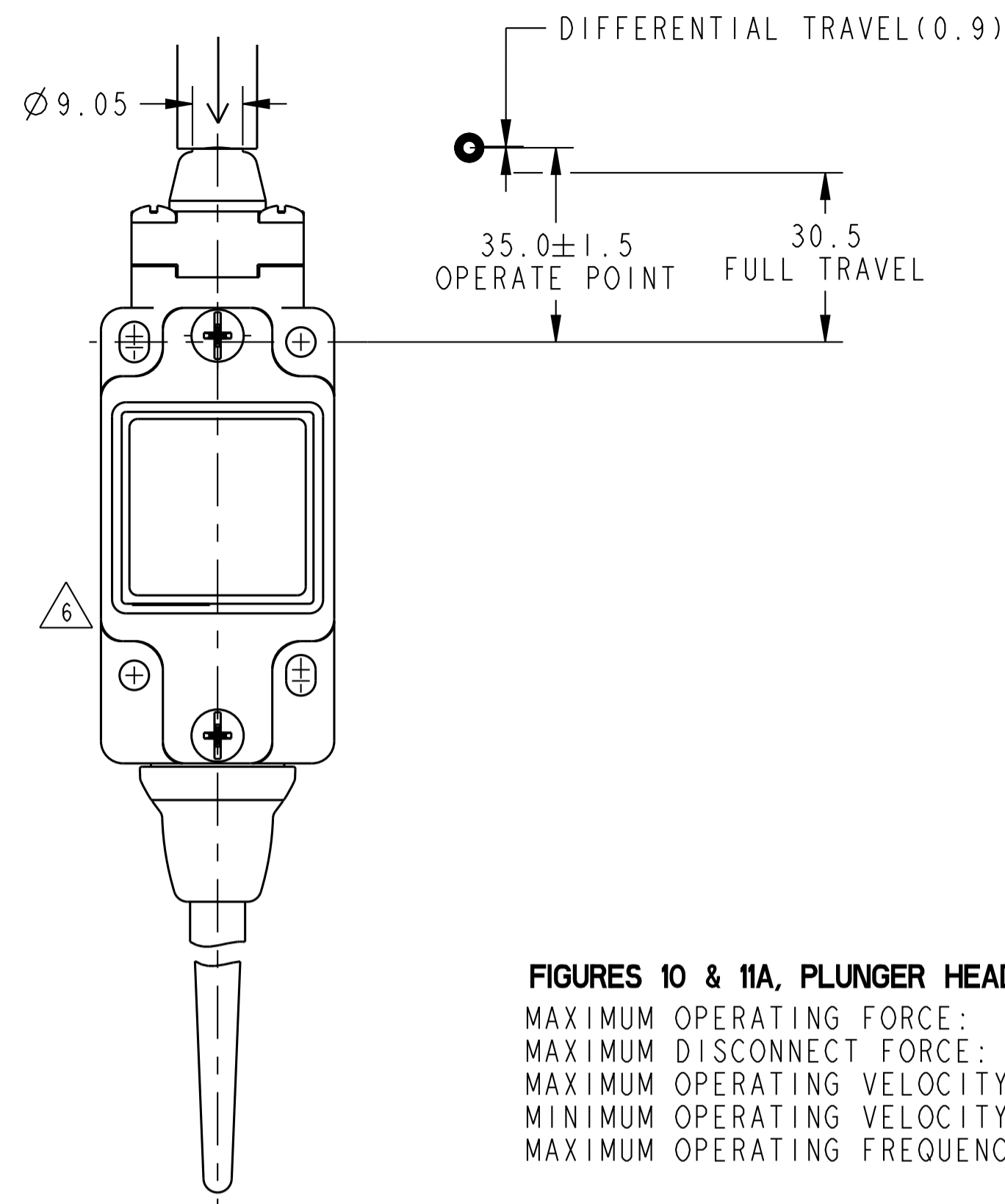


FIGURE 10

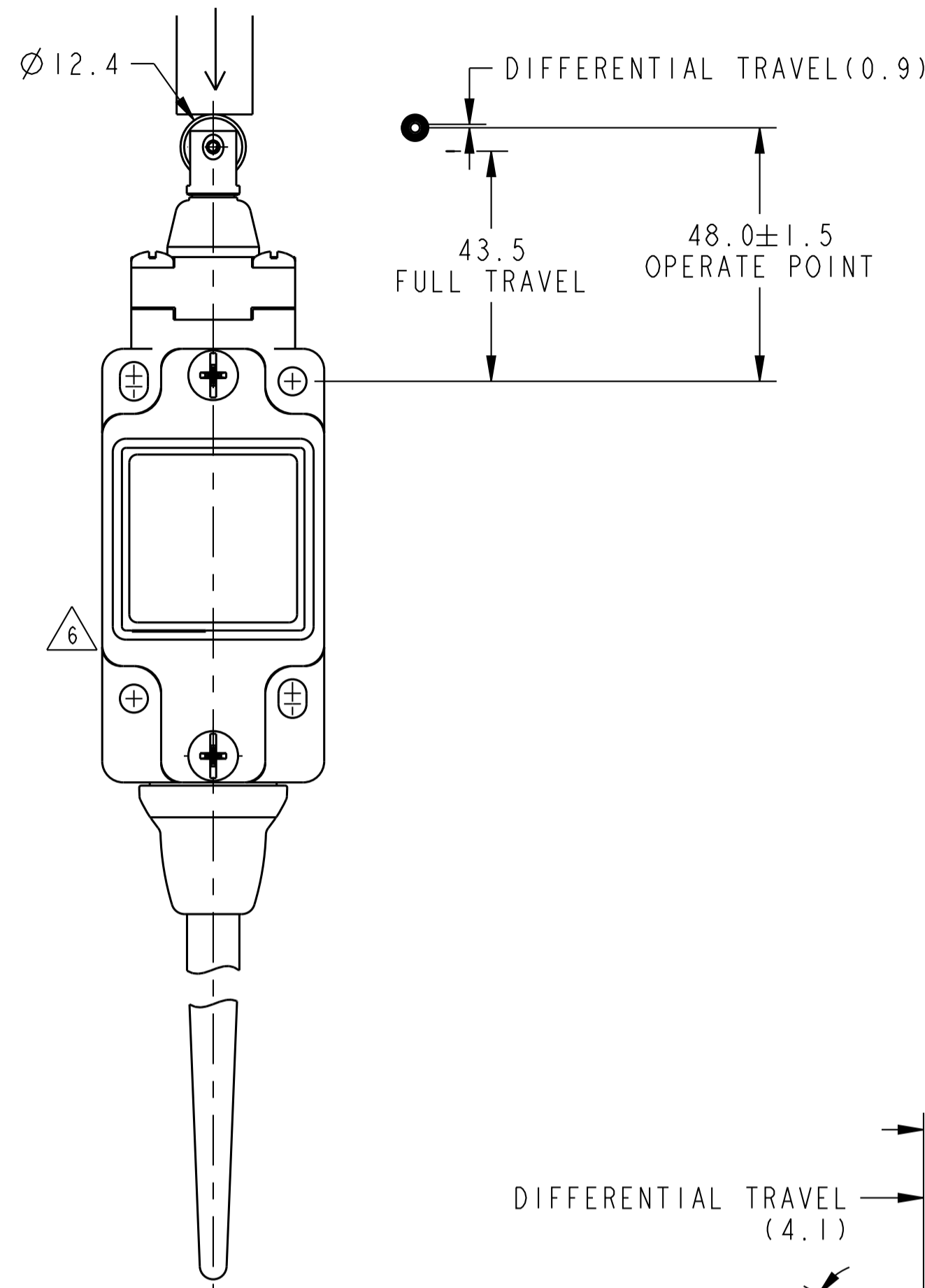


FIGURE 11A

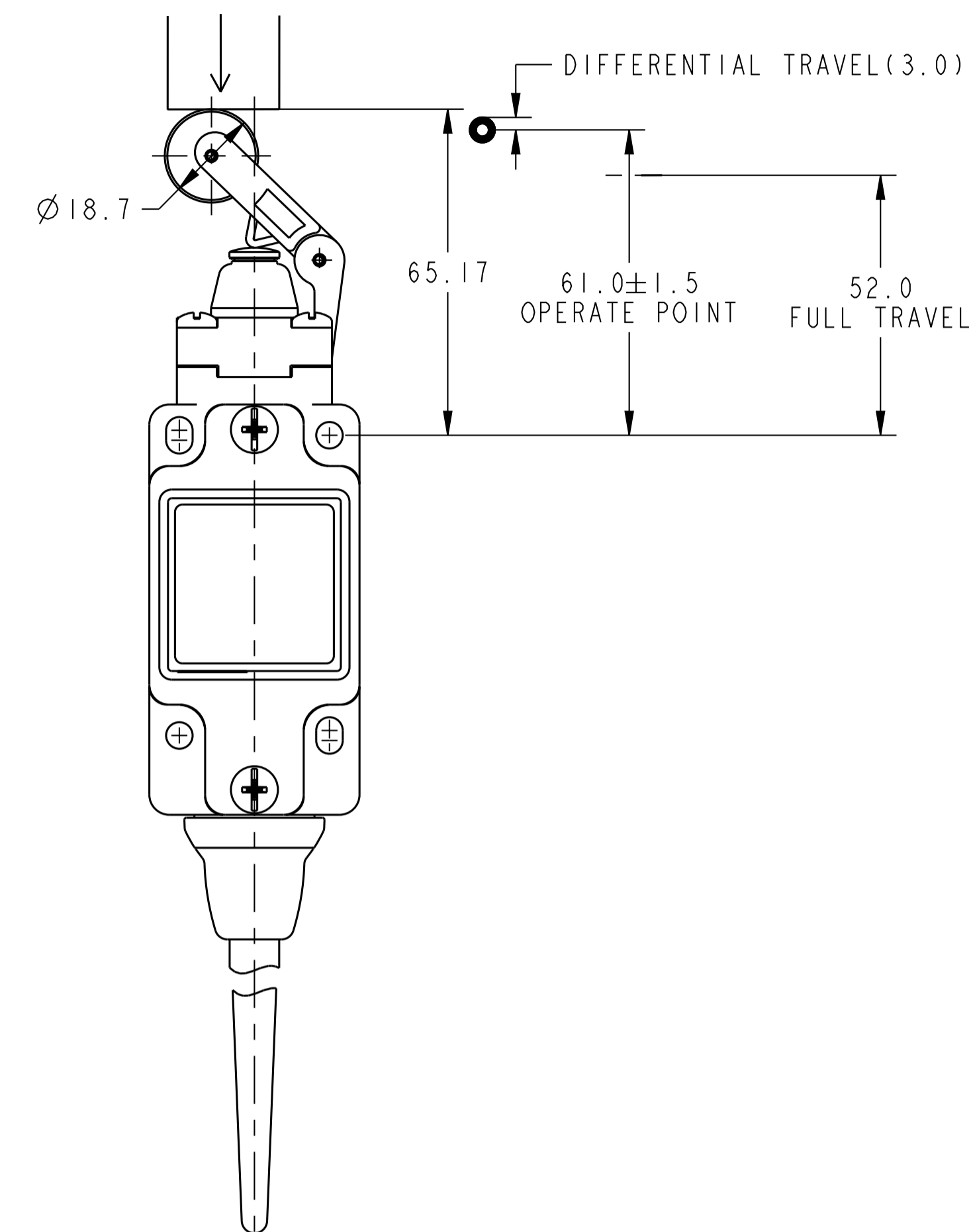


FIGURE 12A

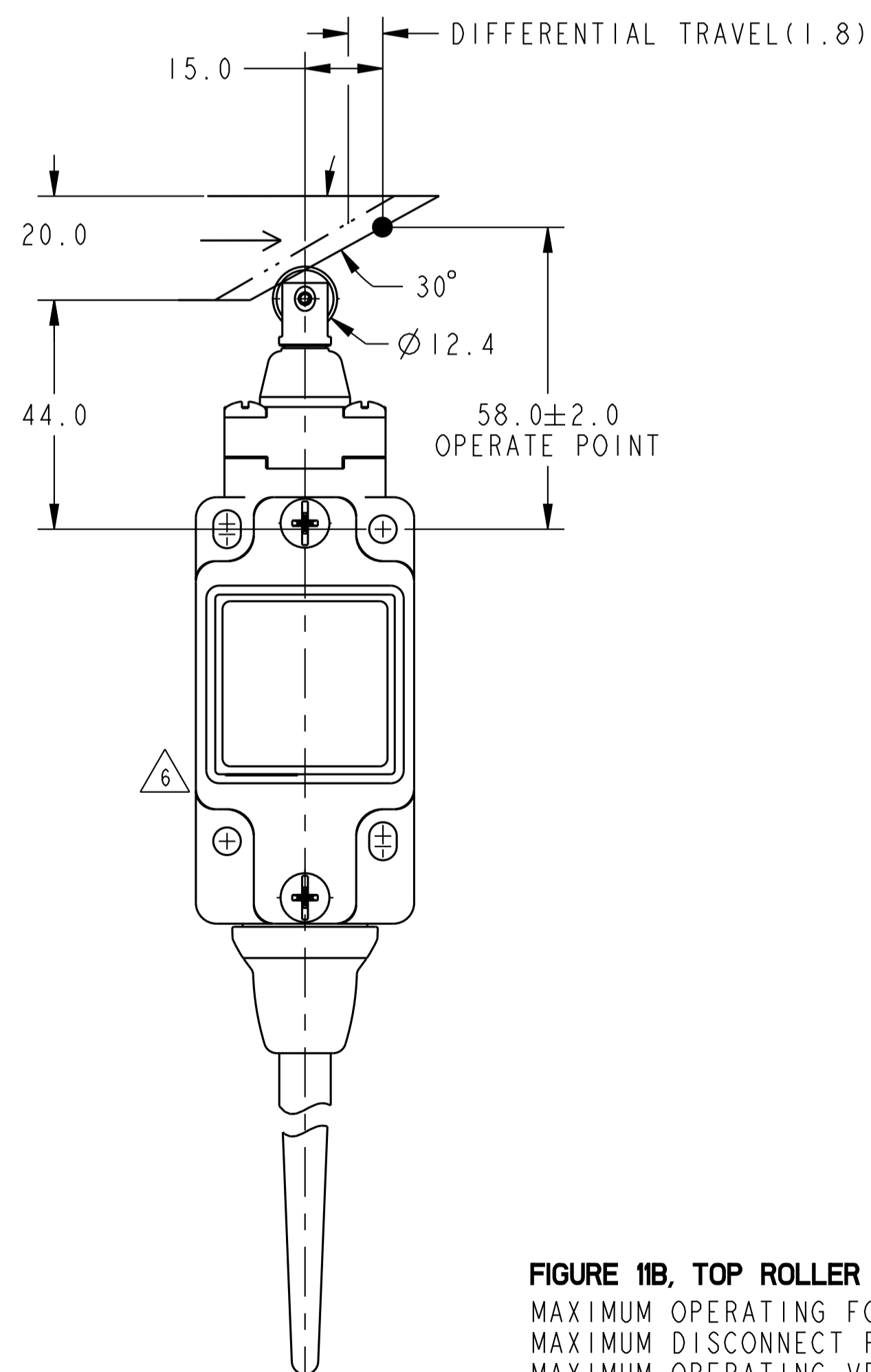


FIGURE 11B

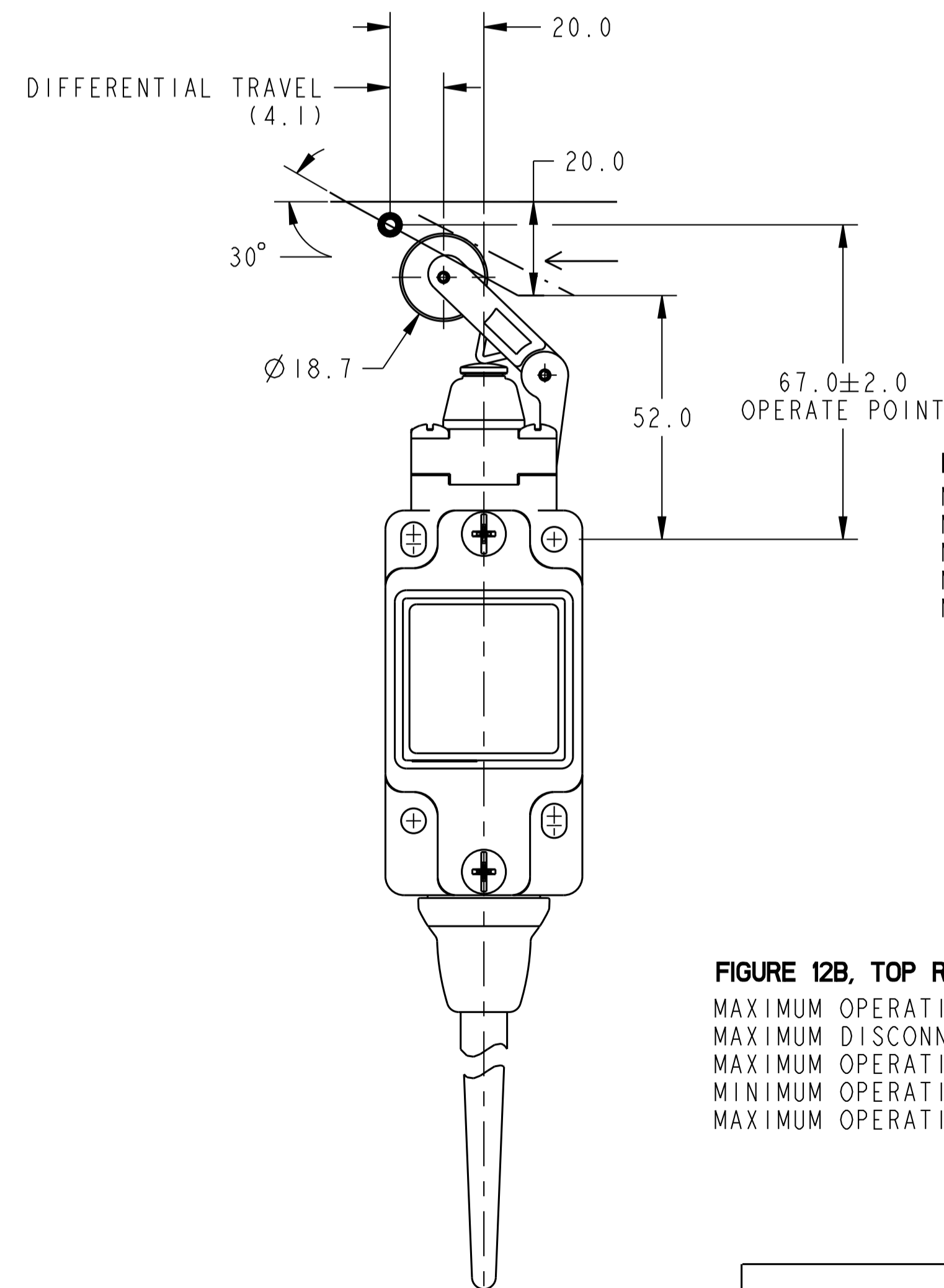


FIGURE 12B

FIGURES 10 & 11A, PLUNGER HEADS, LINEAR ACTUATION

MAXIMUM OPERATING FORCE: 16N / 3.6LB
 MAXIMUM DISCONNECT FORCE: 27N / 6.0LB
 MAXIMUM OPERATING VELOCITY: 0,1 M/S / 3.9 in/S
 MINIMUM OPERATING VELOCITY: 1,0 mm/S / .04 in/S
 MAXIMUM OPERATING FREQUENCY: 120 OPS/M

FIGURE 12A, TOP ROLLER LEVER HEAD, PIN ACTUATION

MAXIMUM OPERATING FORCE: 9,5N / 2.1LB
 MAXIMUM DISCONNECT FORCE: 12N / 2.7LB
 MAXIMUM OPERATING VELOCITY: 0,17 M/S / 6.7 in/S
 MINIMUM OPERATING VELOCITY: 1,7 mm/S / .067 in/S
 MAXIMUM OPERATING FREQUENCY: 120 OPS/M

FIGURE 12B, TOP ROLLER LEVER HEAD, CAM ACTUATION

MAXIMUM OPERATING FORCE: 5,5N / 1.2LB
 MAXIMUM DISCONNECT FORCE: 7,0N / 1.6LB
 MAXIMUM OPERATING VELOCITY: 0,29 M/S / 11.4 in/S
 MINIMUM OPERATING VELOCITY: 2,9 mm/S / .11 in/S
 MAXIMUM OPERATING FREQUENCY: 120 OPS/M

FIGURE 11B, TOP ROLLER PLUNGER HEAD, CAM ACTUATION

MAXIMUM OPERATING FORCE: 9,3N / 2.1LB
 MAXIMUM DISCONNECT FORCE: 15,6N / 3.5LB
 MAXIMUM OPERATING VELOCITY: 0,17 M/S / 6.7 in/S
 MINIMUM OPERATING VELOCITY: 1,7 mm/S / .067 in/S
 MAXIMUM OPERATING FREQUENCY: 120 OPS/M

THIS DRAWING COVERS A PROPRIETARY ITEM AND IS THE PROPERTY OF HONEYWELL. THIS DRAWING IS NOT TO BE COPIED OR USED WITHOUT THE PERMISSION OF HONEYWELL.

Honeywell

SIZE	TYPE	CAGE CODE	DRAWING NAME	REV
A1	I	-	WGL SERIES CHART 1	D
SCALE		1:1		SHEET 5 OF 5