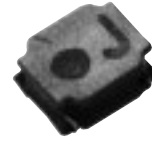


SMD Choke Coils

Series: **J**

Type: **ELLYFJ**



Type ELLYFJ

■ Features

- Small and low profile (2.5×2.0×H1.2 mm)
- The magnetic shield effect is provided by adhesive with magnetic materials structure
- Low DC resistance and large current capability
- Shock resistant
- RoHS compliant

■ Recommended Applications

- DC/DC converter for smart phone , mobile phone, DSC, HDD

■ Standard Packing Quantity

- 3000 pcs./Reel

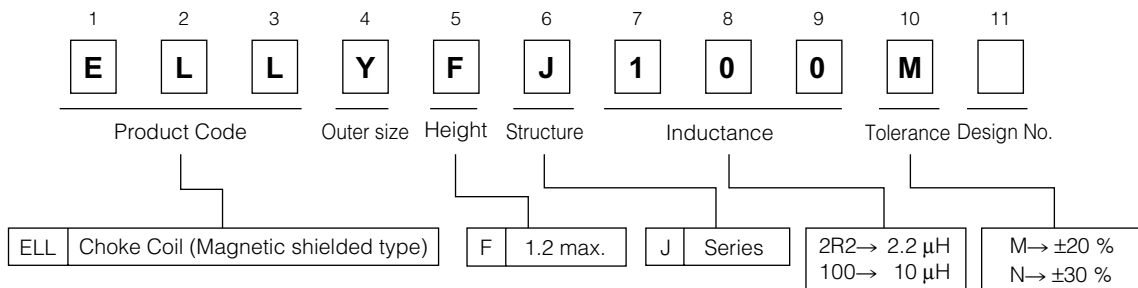
■ Soldering Conditions

Please see Page 169

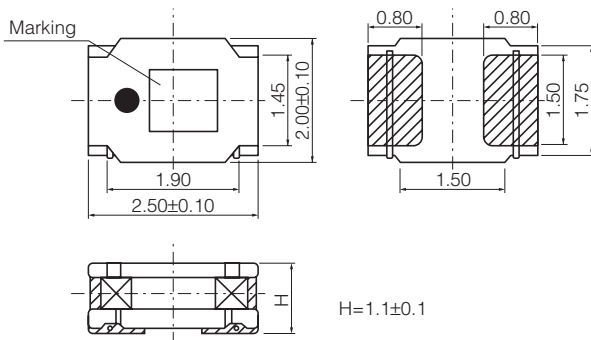
■ Safety Precautions

Please see Page 170

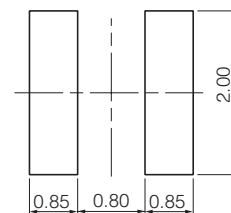
■ Explanation of Part Numbers



■ Dimensions in mm (not to scale)



■ Recommended Land Pattern in mm (not to scale)



Standard Parts

Part Number	Inductance (100 kHz)		R _{DC} (at 20 °C)		Saturation Rated Current* ¹ (mA max.)	Temperature Rise Current* ² (mA max.)	Marking
	(μH)	Tol.	(mΩ)	Tol.			
ELLYFJR47N	0.47	±30%	48	±20%	2500	2150	5
ELLYFJ1R0N	1.0		73		2200	1750	A
ELLYFJ1R5N	1.5		105		1750	1450	C
ELLYFJ2R2M	2.2	±20%	130		1700	1300	D
ELLYFJ3R3M	3.3		230		1200	980	E
ELLYFJ4R7M	4.7		330		1080	820	H
ELLYFJ5R6M	5.6		350		1000	800	J
ELLYFJ6R8M	6.8		490		850	670	K
ELLYFJ100M	10.0		620		730	600	M
ELLYFJ150M	15.0		1000		590	470	O
ELLYFJ220M	22.0	1650	400	370	R		

*1 Saturation Rated Current : This DC current which causes a 30 % inductance reduction from its nominal value.

*2 Temperature Rise Current : This indicates the value of current when temperature rise dt/t= 40 °C (at 20 °C).

Embossed Carrier Tape Dimensions in mm (not to scale)

