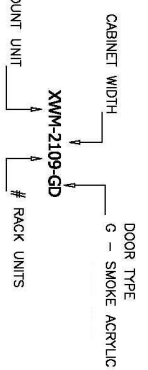
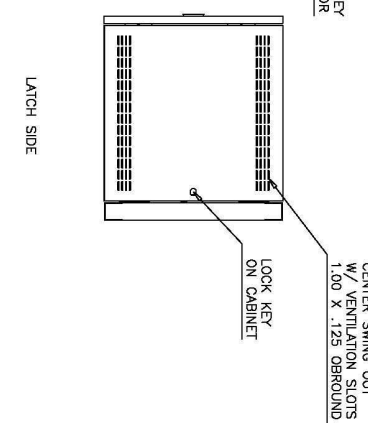
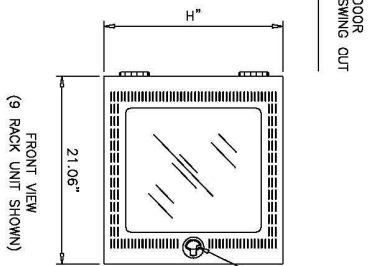
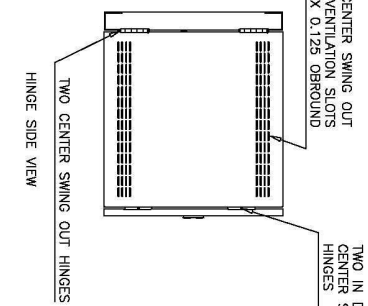
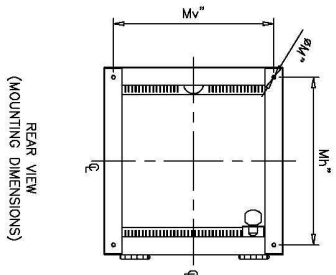
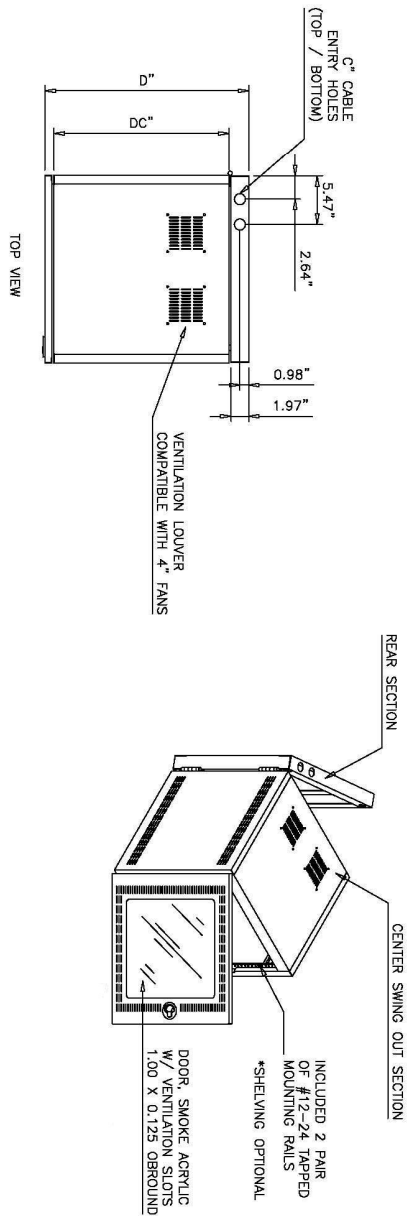


**DESIGN & STRUCTURAL FEATURES**

- STURDY WELDED STEEL CONSTRUCTION.
- MATERIAL:
  - WELDED FRAME CONSTRUCTION: STRUCTURE: 18 GA (.050) CRS
  - REAR FRAME: 14 GA (.075) CRS
  - ROOF: 18 GA (.050) CRS
  - BASE: 18 GA (.050) CRS
  - MOUNTING RAILS: 14 GA (.075) CRS
  - FRONT DOOR: 20 GA (.036) CRS W/ SMOKE ACRYLIC INLAY
- INCLUDES 2 PAIR OF #12-24 TAPPED 19" MOUNTING RAILS.
- TWO TOP 4" FAN LOCATIONS.
- CABLE ENTRY LOCATED ON THE TOP AND BOTTOM (1" CONDUIT HUBS, 4 PLACES) OF REAR SECTION OF THE ENCLOSURE.
- COLOR: BLACK
- STANDARD 19" RACK MOUNT.



**XWM SIZING CHART**

P/N	W (WIDTH)	H (HEIGHT)	D (DEPTH)	DC	C (CBL ENTRY)	M (MNT HOLE)	NV (FROM C)	MH (FROM C)	REMOVABLE SIDES PANEL	RACK UNITS	DOOR TYPE	CABINET WEIGHT	CABINET WT CAP.
XWM-2109-GD	21.00	20.125	22.875	19.750	(4) 1" CONDUIT	(4) $\phi$ 13/32	18.000	18.875	NO	9	GLASS	45 LBS.	130 LBS.

THIS DRAWING AND ALL INFORMATION CONTAINED HEREIN IS THE PROPERTY OF BELDEN. ANY USE, COPY OR REPRODUCTION OF THIS MATERIAL WITHOUT WRITTEN PERMISSION OF BELDEN IS PROHIBITED.

**BELDEN**

**TECHNICAL**

**XWM SERIES MASTER DRAWING  
CABINET DETAILS**

RCG 04/26/2012