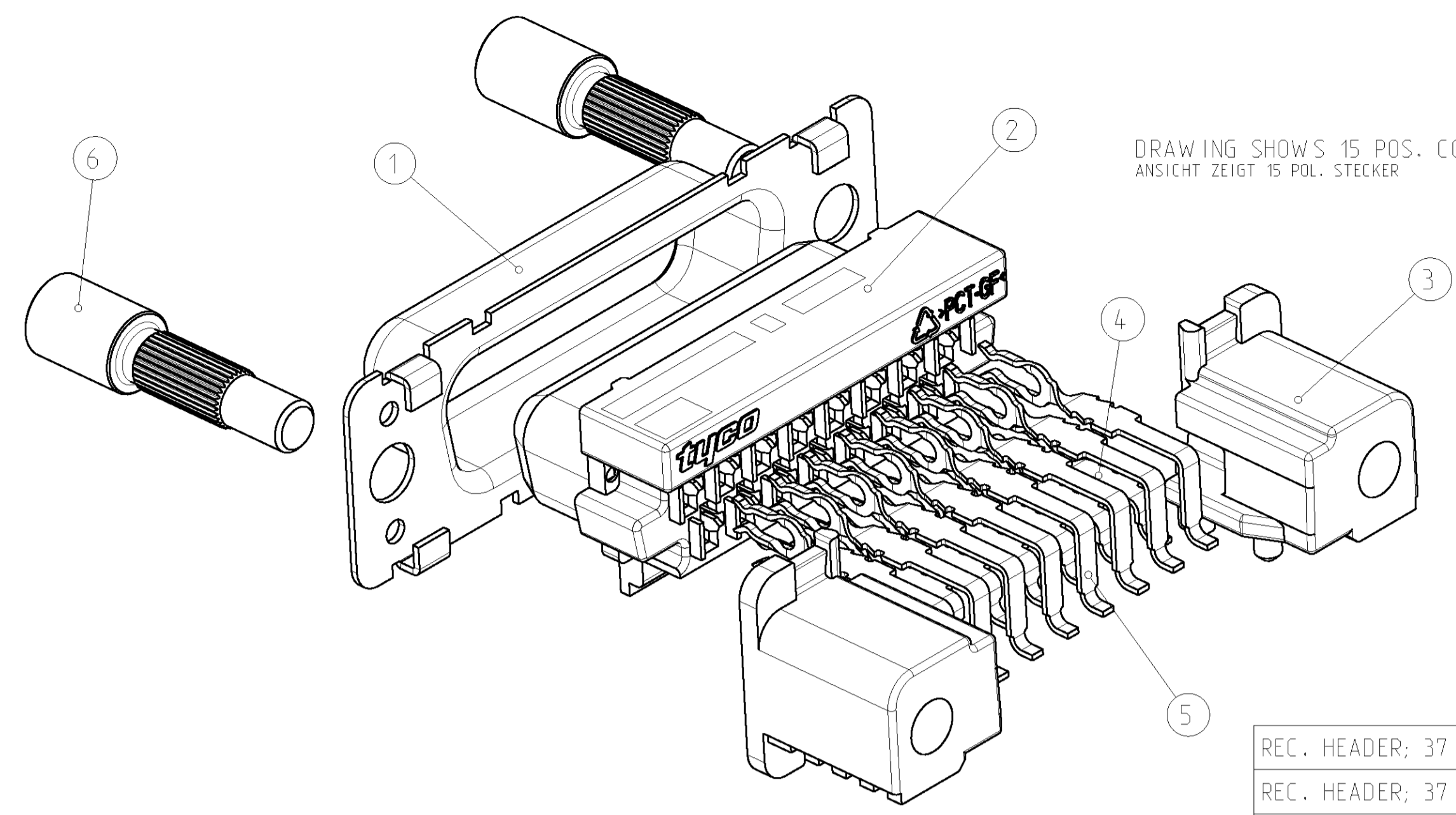
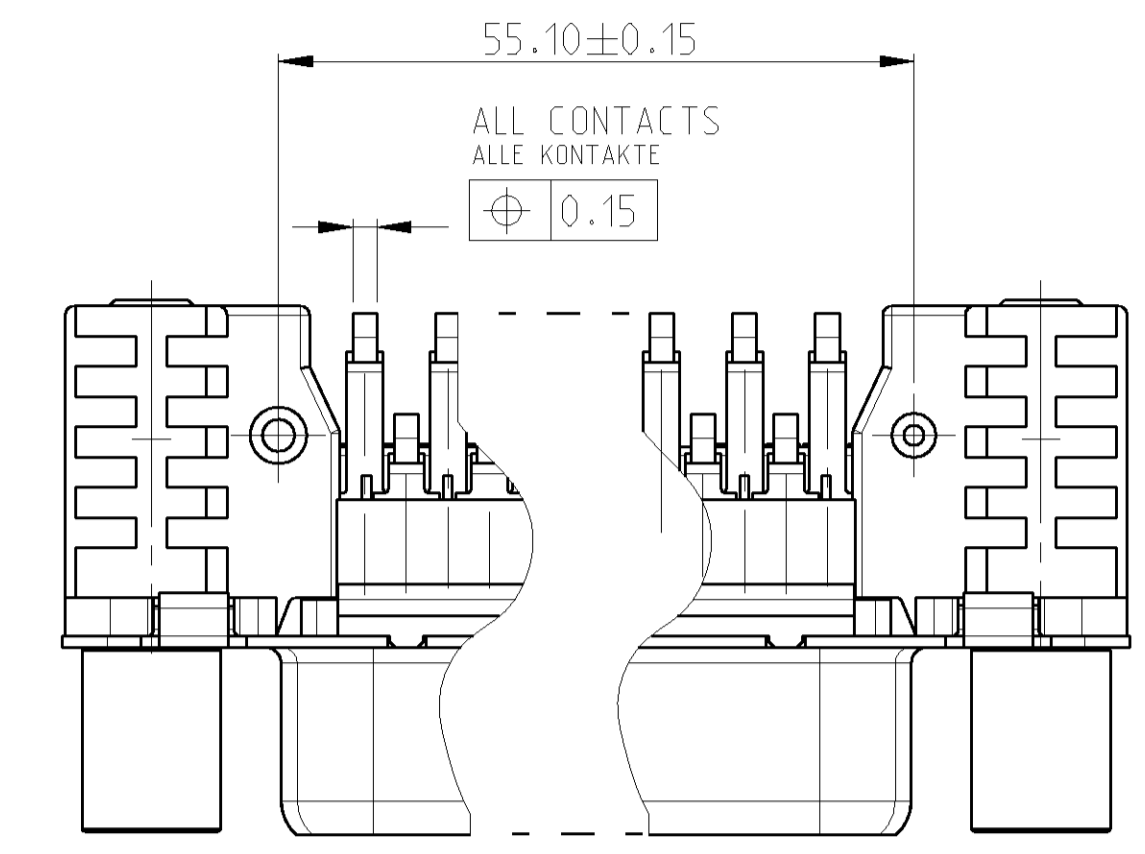
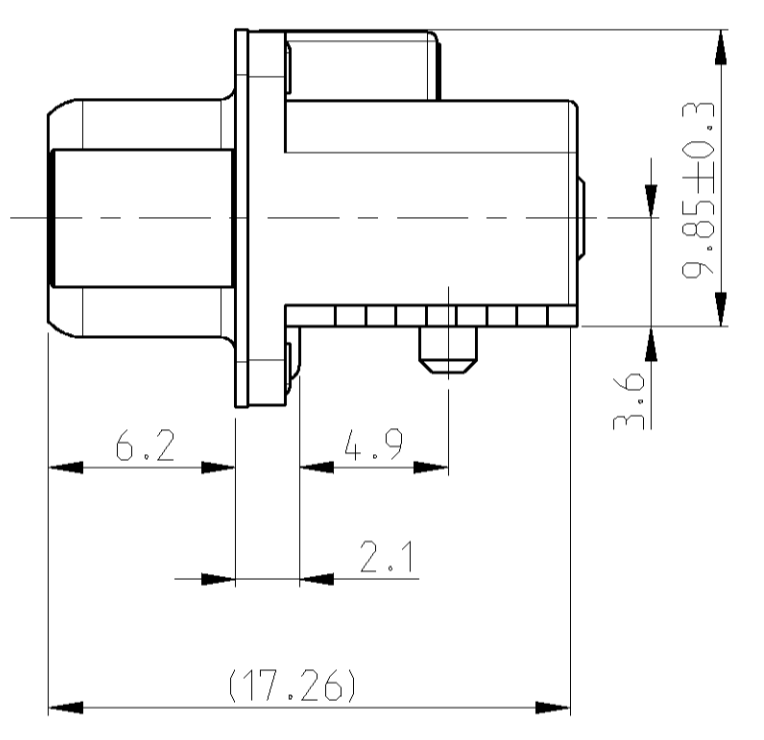
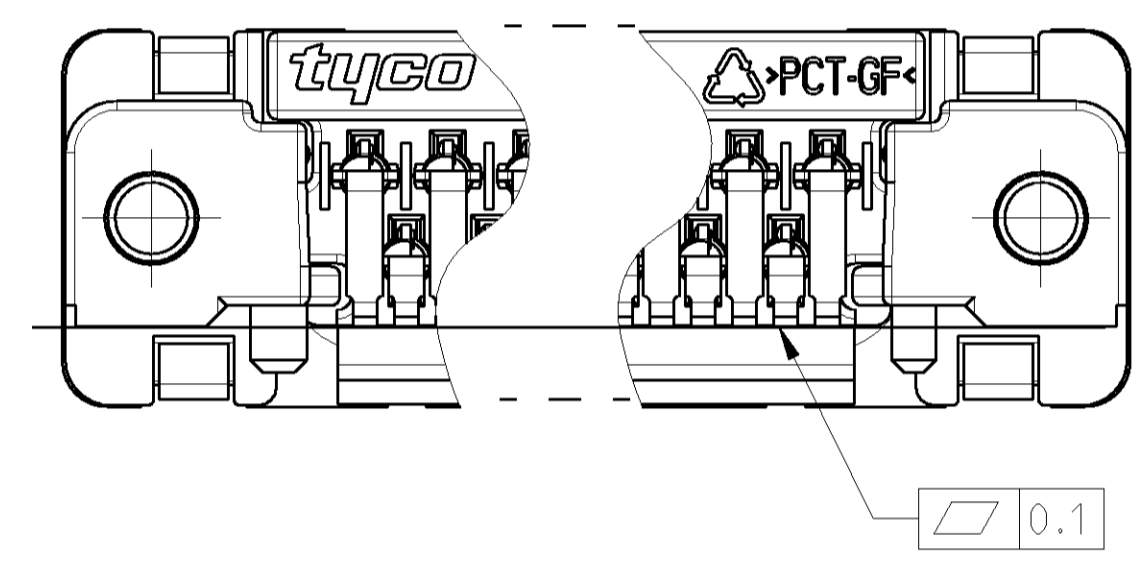


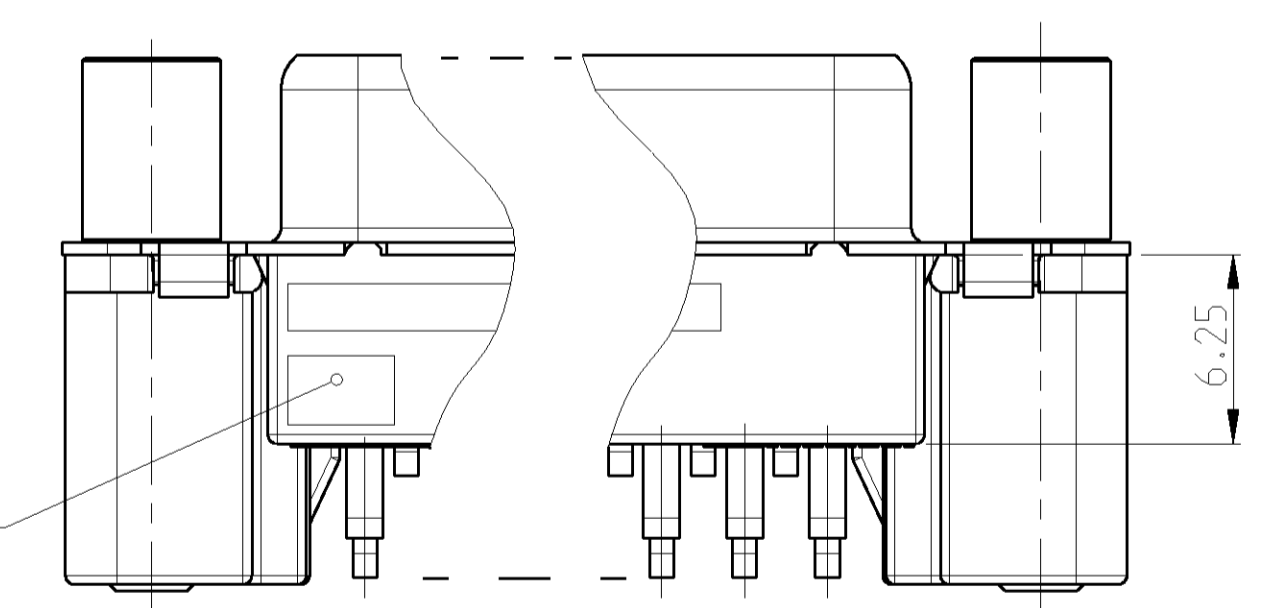
LOC	DIST	P	LTR	REVISIONS	DATE	BY	APP
				ÄNDERUNGEN			
				DESCRIPTION			
				BEZUGSBILDER			
A1	-			NEW DRAWING	30NOV2004	L.S.	G.F.
				VERSIONS XXX-5 ADDED	10NOV2005	L.S.	M.S.
				DWG. TITEL CHANGED	09JAN2006	L.S.	M.S.
				DIM. 2.1 ADDED	22SEP2006	ACK	MS



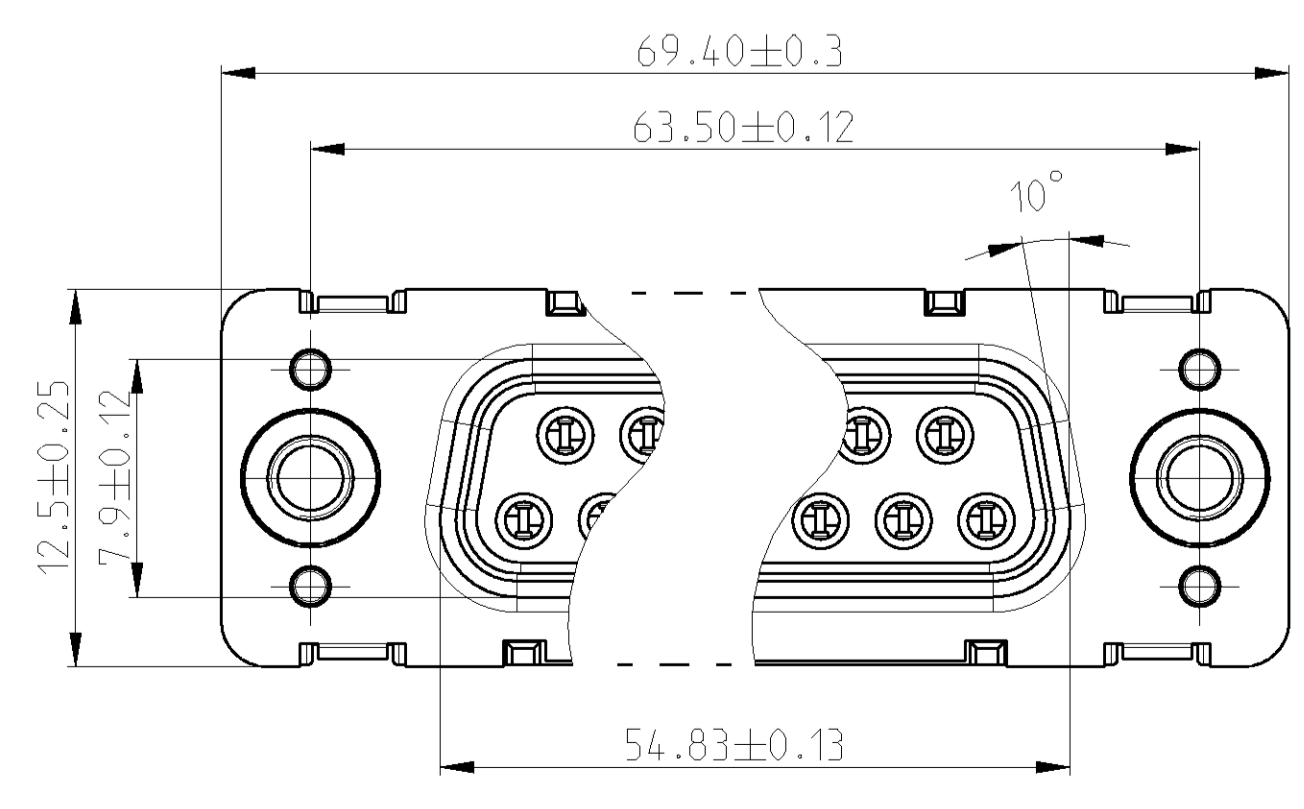
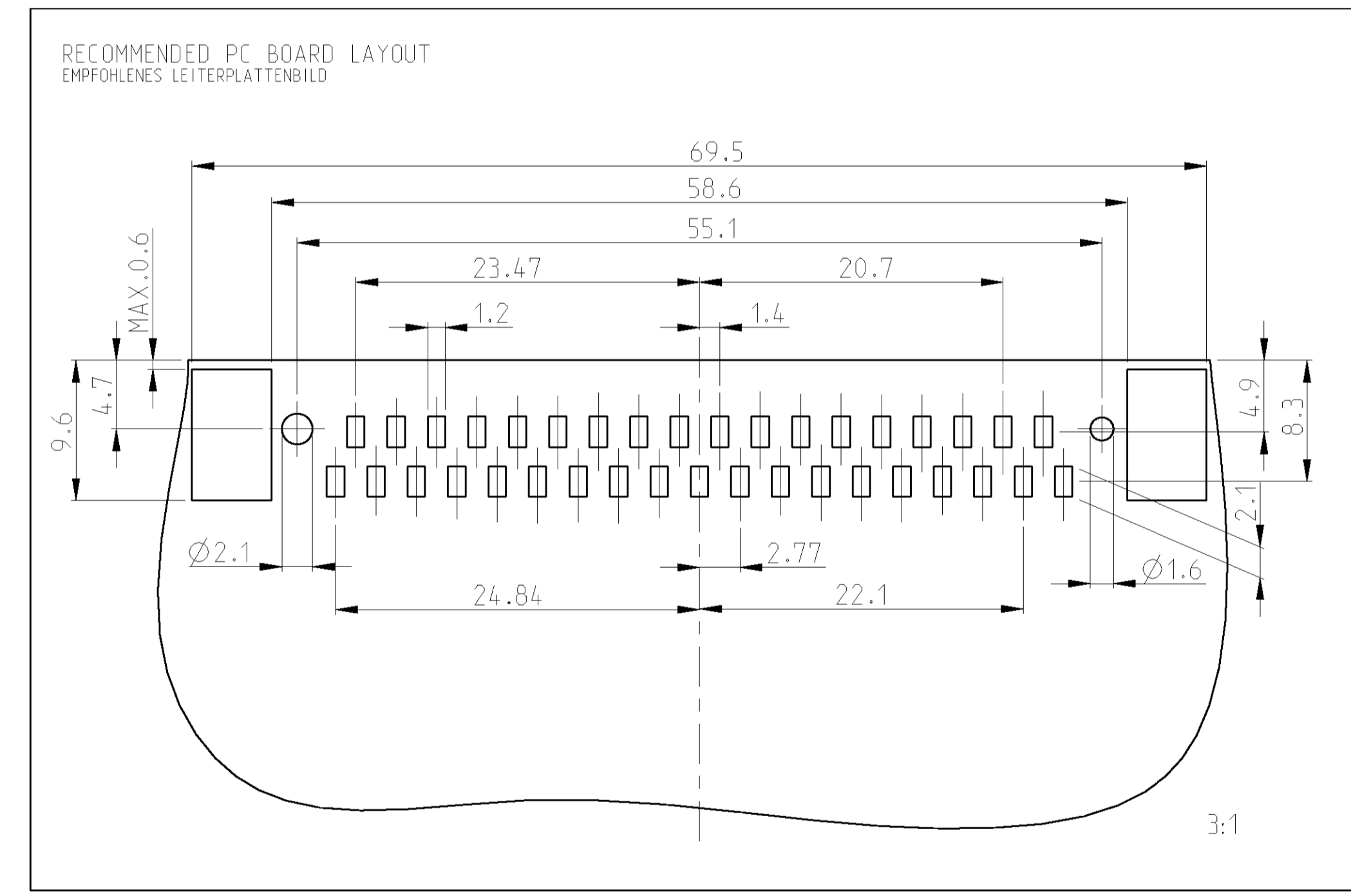
DRAWING SHOWS 15 POS. CONNECTOR
 ANSICHT ZEIGT 15 POL. STECKER



DESCRIPTION	SHELL PLATING: TIN OVER NI	SHELL PLATING: NI
REC. HEADER; 37 POS.; STUD WITH THREAD M3	4-1740200-2	4-1740200-5
REC. HEADER; 37 POS.; BRACKET WITH THREAD M3	2-1740200-2	2-1740200-5
REC. HEADER; 37 POS.; STUD WITH THREAD UNC 4/40	3-1740200-2	3-1740200-5
REC. HEADER; 37 POS.; BRACKET WITH THREAD UNC4-40	1-1740200-2	1-1740200-5
REC. HEADER; 37 POS.; BRACKET WITH HOLE Ø3.1	0-1740200-2	0-1740200-5



WHITE INK MARKING
 WEISSE TINTENBESCHRIFTUNG



REMARKS:

- △ CONTACT AREA: min. 0.8µm Au OVER 1.27 µm Ni ;
 SOLDER AREA: 3-5 µm Sn OVER min. 1.27 µm Ni
- 2 PACKAGING SEE SHEET 2
- 3 CONNECTOR SUITABLE FOR LEAD-FREE SMT SOLDER PROCESS
- △ TIN OVER NICKEL

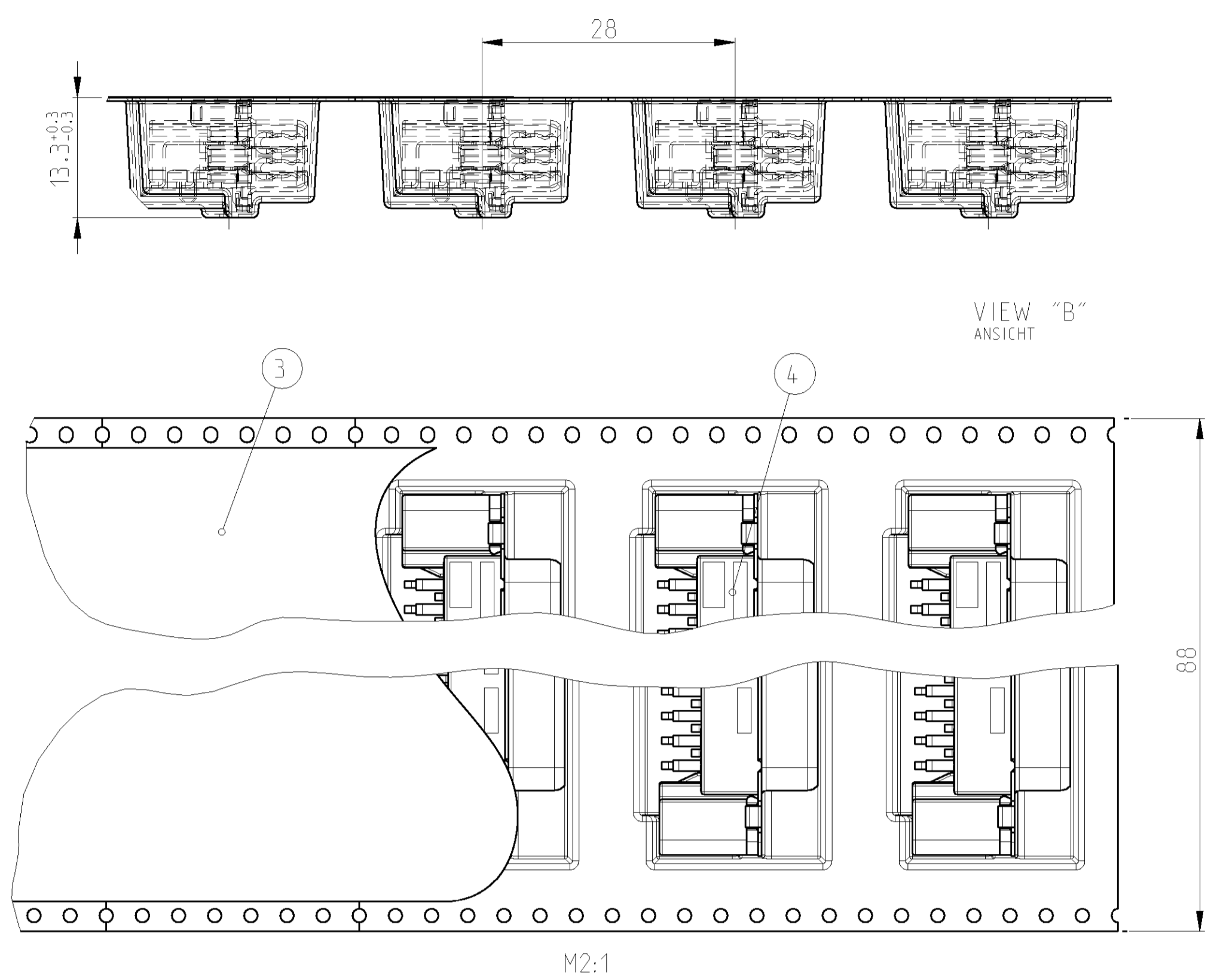
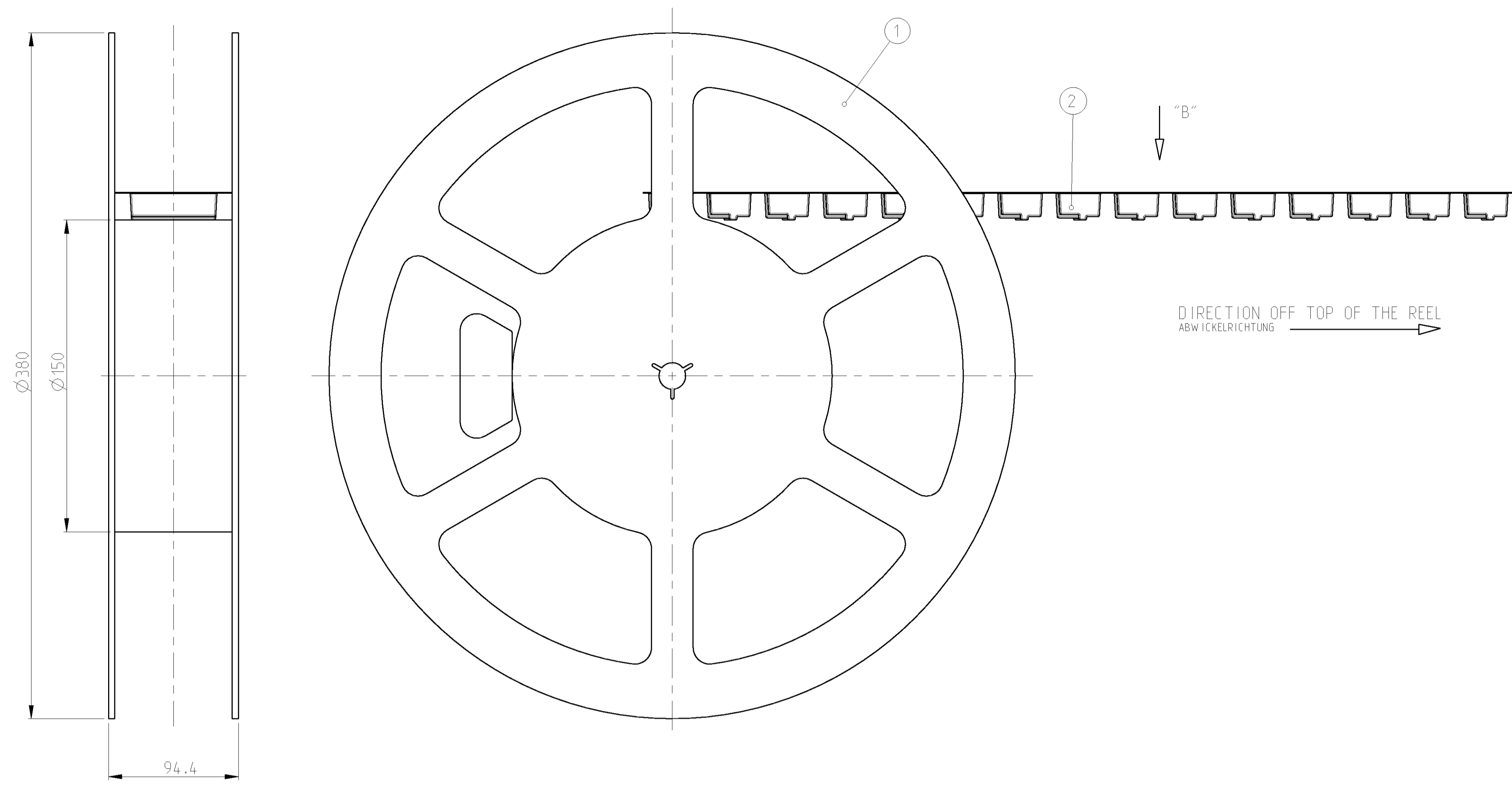
BEMERKUNGEN:

- △ KONTAKTBEREICH: min. 0,8µm Au ÜBER 1,27 µm Ni;
 LÖTBEREICH: 3-5 µm Sn ÜBER min. 1,27 µm Ni
- 2 VERPACKUNGSART SIEHE BLATT 2
- 3 STECKER GEEIGNET FÜR BLEIFREIES SMT LÖTEN
- △ ZINN ÜBER NICKEL

POS.	QTY.	DESCRIPTION	BENENNUNG	SURFACE	COLOUR/FARBE	MATERIAL
6	2	THREAD STUD	GEWINDEBOLZEN	NICKEL		STEEL
5	19	REC. CONTACT, SMD, LONG	BUCHSENKONTAKT, SMD, LANG	△		CuMg
4	18	REC. CONTACT, SMD, SHORT	BUCHSENKONTAKT, SMD, KURZ	△		CuMg
3	2	BRACKET, SMD, LEFT/RIGHT	WINKELSTÜCK, SMD, LINKS/RECHTS	△		CAST METAL
2	1	REC. HOUSING	BUCHSENGEHÄUSE	BLACK	SCHWARZ	PCT-GF
1	1	SHELL	SCHIRMBLECH	SEE TABLE	SIEHE TABELLE	STEEL

TYPHOON ELECTRONICS CORPORATION RELEASED FOR PUBLICATION DEC 2004 DRAWN WITH WISEDM 20 COPYRIGHT 2004 BY TYCO ELECTRONICS CORPORATION. ALL RIGHTS RESERVED. ALLE RECHT VORBEHALTEN.		DWN: 30NOV2004 L.SCHLUETER CHK: 01DEC2004 M.SCHAARSCHEIDT	tyco Electronics tyco Electronics AMP GmbH D - 64625 Bensheim
DIMENSIONS: MASSENHEITEN: (MM)		TOLERANCES, UNLESS OTHERWISE SPECIFIED: ALLGEMEINTOLERANZEN	NAME: LEFELDEMEIER
MATERIAL: SEE TABLE S-TABELLE		PRODUCT SPEC: APPLICATION SPEC: VERARBEITUNGSSPEZ.	SIZE: A1 CAGE CODE: 00779 DRAWING NO.: 1740200
WEIGHT: GEWICHT		CUSTOMER DRAWING	RESTRICTED TO MR. PIER

LOC	DIST	REV	DATE	BY	APPV
A1	-	-	-	-	-



REMARKS:

- 1 COVER TAPE WITH BLISTER BELT WELDED OR PASTED
- 2 BLISTER BELT, COVER AND TAPE ACC. TO DIN/IEC 286 PART 3
- 3 FIRST AND LAST RUNNING OF THE CARRIER TAPE ACC. TO DIN/IEC 286 PART 3
- 4 6.4m BLISTERBELT AND 6.5m COVER TAPE, 200 LOOSE PIECE PARTS

BEMERKUNGEN:

- 1 ABDECKBAND MIT BLISTERGURT VERSCHWEIßT ODER VERKLEBT
- 2 BLISTERGURT, ABDECKBAND UND REEL NACH DIN/IEC 286 TEIL 3
- 3 VOR- UND NACHLAUF AM BLISTERGURT NACH DIN/IEC 286 TEIL 3
- 4 6.4m BLISTERGURT UND 6.5m ABDECKBAND, 200 EINZELTEILE

TYCO ORDER NO. BESTELL-NR.	POS.	TYCO ORDER NO. BESTELL-NR.					DESCRIPTION BENENNUNG	SURFACE OBERFLAECHE COLOUR/FARBE	MATERIAL
		4-1740200-5	3-1740200-5	2-1740200-5	1-1740200-5	0-1740200-5			
1740200	4	200	-	-	-	-	SUB-D REC. HEADER, 37 POS., STUD M3 SUB-D BUCHSENSTECKER, 37 POL., BOLZEN M3	-	-
	4	-	200	-	-	-	SUB-D REC. HEADER, 37 POS., STUD UNC4-40 SUB-D BUCHSENSTECKER, 37 POL., BOLZEN UNC4-40	-	-
	4	-	-	200	-	-	SUB-D REC. HEADER, 37 POS., M3 SUB-D BUCHSENSTECKER, 37 POL., M3	-	-
	4	-	-	-	200	-	SUB-D REC. HEADER, 37 POS., UNC4-40 SUB-D BUCHSENSTECKER, 37 POL., UNC4-40	-	-
	4	-	-	-	-	200	SUB-D REC. HEADER, 37 POS. SUB-D BUCHSENSTECKER, 37 POL.	-	-
	3	6.5m	6.5m	6.5m	6.5m	6.5m	COVER BELT FOR BLISTER BELT ABDECKBAND FÜR BLISTERGURT	TRANSPARENT	PET
	2	6.4m	6.4m	6.4m	6.4m	6.4m	BLISTER BELT BLISTERGURT	GREY/BLACK GRAU/SCHWARZ	PS
1	1	1	1	1	1	REEL-PACKING MEHRWEGSPULE	GREY GRAU	PS	

DIMENSIONS: mm		TOLERANCES UNLESS OTHERWISE SPECIFIED:		DRAWN: L. SCHLUETER 30NOV2004		Tyco Electronics AMP GmbH D - 64625 Bensheim	
		0 PLC ± 1 PLC ± 2 PLC ± 3 PLC ± 4 PLC ± ANGLES ±		EN 17530-1-2004 M. SCHAARSMIDT 01DEC2004		NAME: HDP20 REC. HEADER; SMT; 37 POS. HDP20 BUCHSENSTECKER; SMT; 37 POL. EUROSTYLE	
MATERIAL: SEE TABLE S-TABELLE		FINISH: SEE TABLE S-TABELLE		PRODUCT SPEC: APPLICATION SPEC: WEIGHT: - CUSTOMER DRAWING:		SIZE: A1 CAGE CODE: 00779 DRAWING NO: C=1740200 SCALE: 5:1 SHEET 2 OF 2 REV: A4	