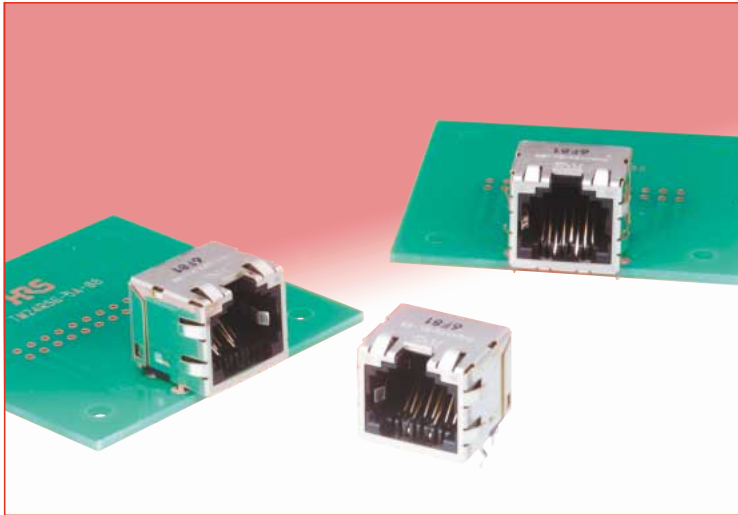


Modular Jack Connector for High-Speed Transmission

TM24R Series



■ Features

1. Supports high-speed transmission

Meets requirements of 10G Ethernet standard IEEE802.3an for FEXT, Return loss and Z bal.

2. Unique contact configuration (Patented) and board-mounting pattern

The adjacent contacts have different angles of engagement thus increasing the distance between them, in effect reducing the cross talk within connector and its footprint.

Contact #3 and #6, affecting the cross talk the most; have been isolated from other contacts resulting in maximum NEXT noise suppression.

In addition, the board layout allows easy tracing of the differential signal lines.

3. Full EMI shielding

The entire connector is covered with a metal shell. Multiple panel ground contact springs (2 on each side of the mating opening) and 4 board ground connection solder contacts placed at each corner of the connector guarantee effective suppression of noise radiation.

4. Sequential mating

Separate ground springs (Patent pending) make contact with the mating connector's ground before the signal contacts, allowing equalization of any ground differential.

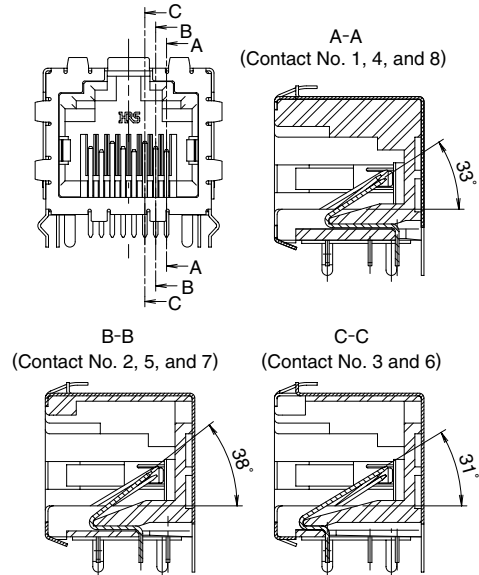
5. Conforms to FCC (Federal Communications Commission) standards

Meets requirements of FCC Title 47, Part 68, Subpart F.

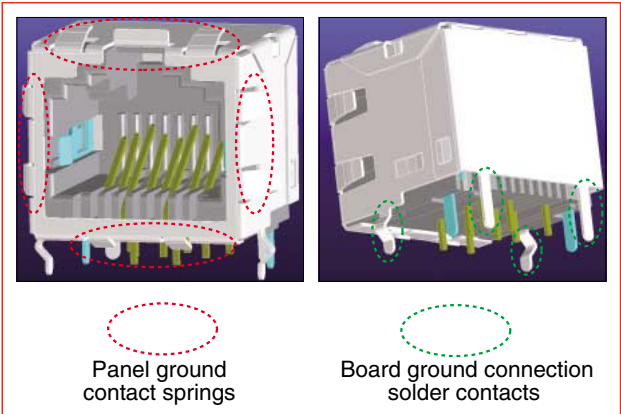
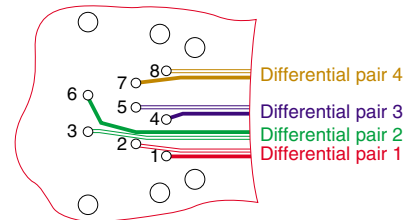
■ Applications

LAN related equipment, measuring instruments, office equipment and other high transmission speed applications requiring use of high performance modular jacks.

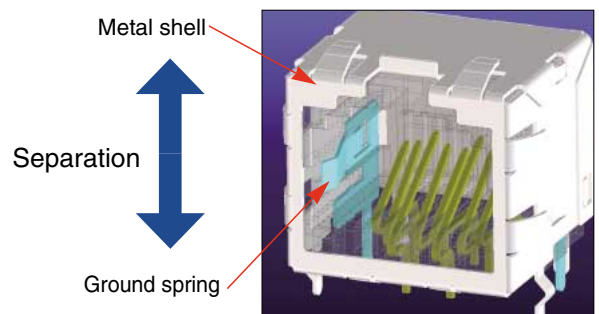
Unique Contact Configuration



Recommended board layout for differential routing



Separate ground springs



■Product Specifications

Ratings	Current rating 1A Voltage rating 125V AC	Operating temperature range: -25°C to +80°C (Note)
---------	---	--

Item	Specification	Conditions
1. Insulation resistance	100M ohms min.	100V DC
2. Withstanding voltage (Basic terminal between 123-456-78)	No flashover or insulation breakdown.	500V AC / one minute
3. Withstanding voltage (Terminal to shield)	No flashover or insulation breakdown.	1500V AC / one minute
4. Contact resistance	50m ohms max.	100mA
5. Vibration	No electrical discontinuity of 5 μ s or more. No damage, cracks, or parts dislocation.	Frequency: 10 to 55 Hz, single amplitude of 0.75mm, 3 axis, 10 cycles
6. Shock	No electrical discontinuity of 5 μ s or more. Contact resistance: 60 m ohms max.	Acceleration of 490 m/s ² , 11 ms duration, sine half-wave waveform, 3 cycles / each of 3 axis
7. Durability (insertion/withdrawal)	Contact resistance: 60 m ohms max.	700 cycles
8. Temperature cycle	Insulation resistance: 100 M ohms min. Contact resistance: 60 m ohms max.	(Temperature: -55°C → +15°C to +35°C → +85 → +15°C to +35°C Duration: 30 → 2 to 3 → 30 → 2 to 3 (Minutes) 5 cycles
9. Humidity	Insulation resistance: 1 M ohms min. (High humidity) Insulation resistance: 10 M ohms min. (Dry state)	500 hours at 40°C, HR 90% to 95%
10. Salt spray	Contact resistance: 60 m ohms max.	5% water solution for 48 hours

Note: Includes temperature rise caused by current flow.
 Temperature range for mechanical operation : -25°C to +60°C

■Materials

Part	Material	Finish	Remarks
Insulator	PBT	Color: Black	UL94V-0
Contact	Phosphor bronze	Contact area: Gold plated 1.27 μ m Termination area: Gold plated 0.03 μ m Under plate: Nickel plated 1 μ m	————
Shield	Brass	Tin reflow plated 1 μ m	————
Ground spring	Phosphor bronze	Tin reflow plated 1 μ m	————

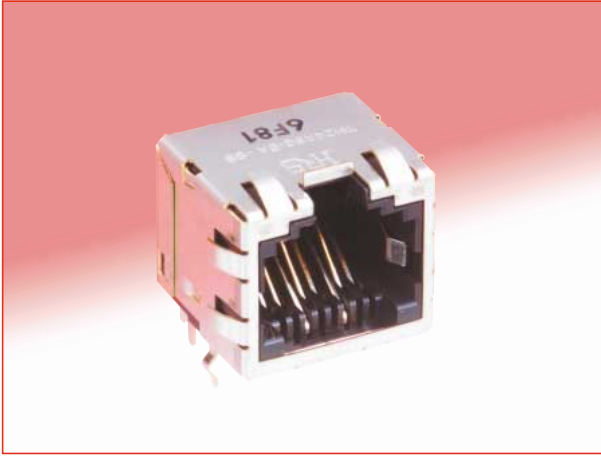
■Ordering information

TM24 R SG - 5A 8 8

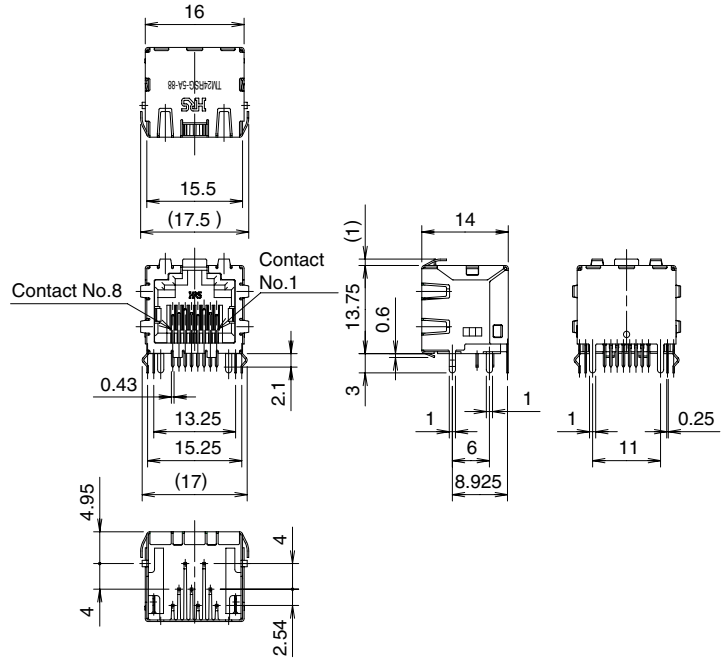
① ② ③ ④ ⑤ ⑥

① Series name	: TM24
② Connector type	: R... Jack
③ Shell type	: SG... Separate ground spring –outer shell
④ Jack type	: 5A... Right-angle dip
⑤ Jack opening code	: 8... 8 contacts
⑥ Number of inserted contact	: 8... 8 contacts

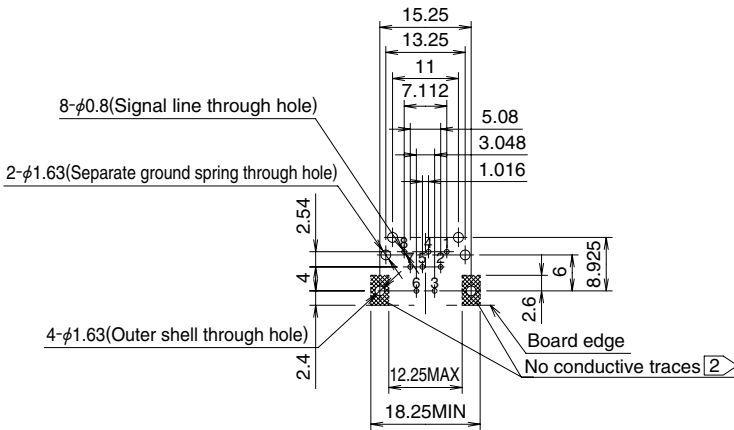
■ Modular Jack Connectors



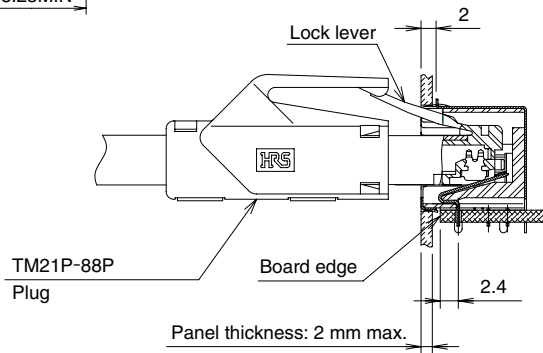
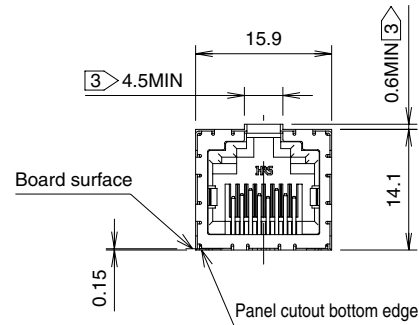
Part number	CL No.	RoHS
TM24RSG-5A-88	222-2946-7-00	YES



◆ Recommended PCB mounting pattern



◆ Recommended panel cutout



* Precautions and recommendations for board and panel design

- 1 . Recommended board thickness: 1.6 mm.
- ② . No conductive traces in the crosshatched areas.
- ③ . Make sure that the panel cutout has enough clearance to assure free operation of the lock lever of the mating plug.
- 4 . Make sure that the panel cutout bottom edge is 0.15 mm below the board-mounting surface.
- 5 . Connector can be cleaned with isopropyl alcohol (IPA) at room temperature.

■ Signal Integrity Data

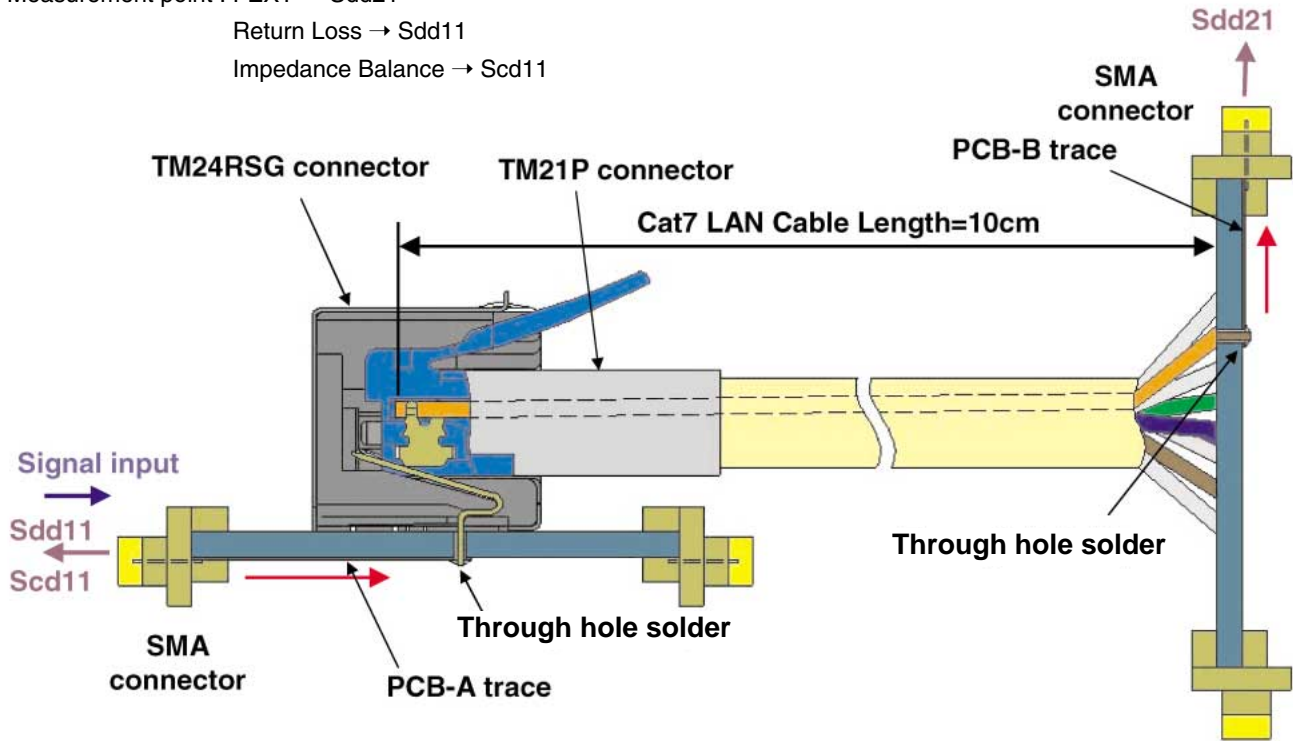
These are the representative values of the electrical performance demanded for modular connectors according to IEEE802.3-an (10GBASE-T).

● Measurement Outline Drawing

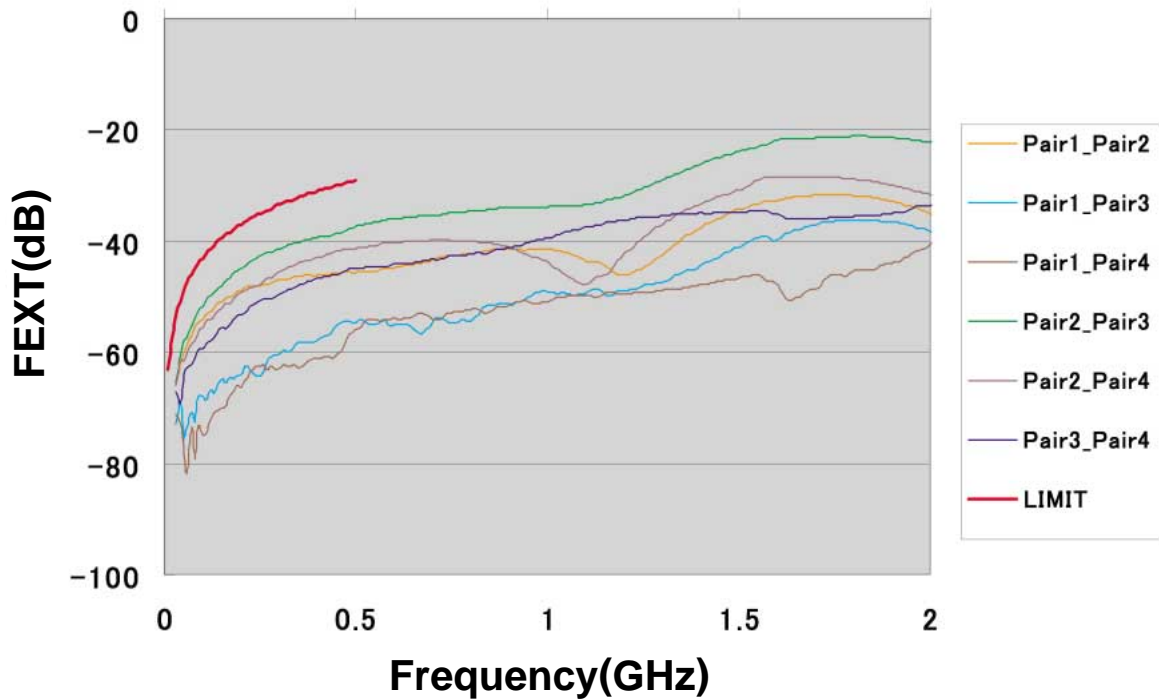
Measurement point : FEXT → Sdd21

Return Loss → Sdd11

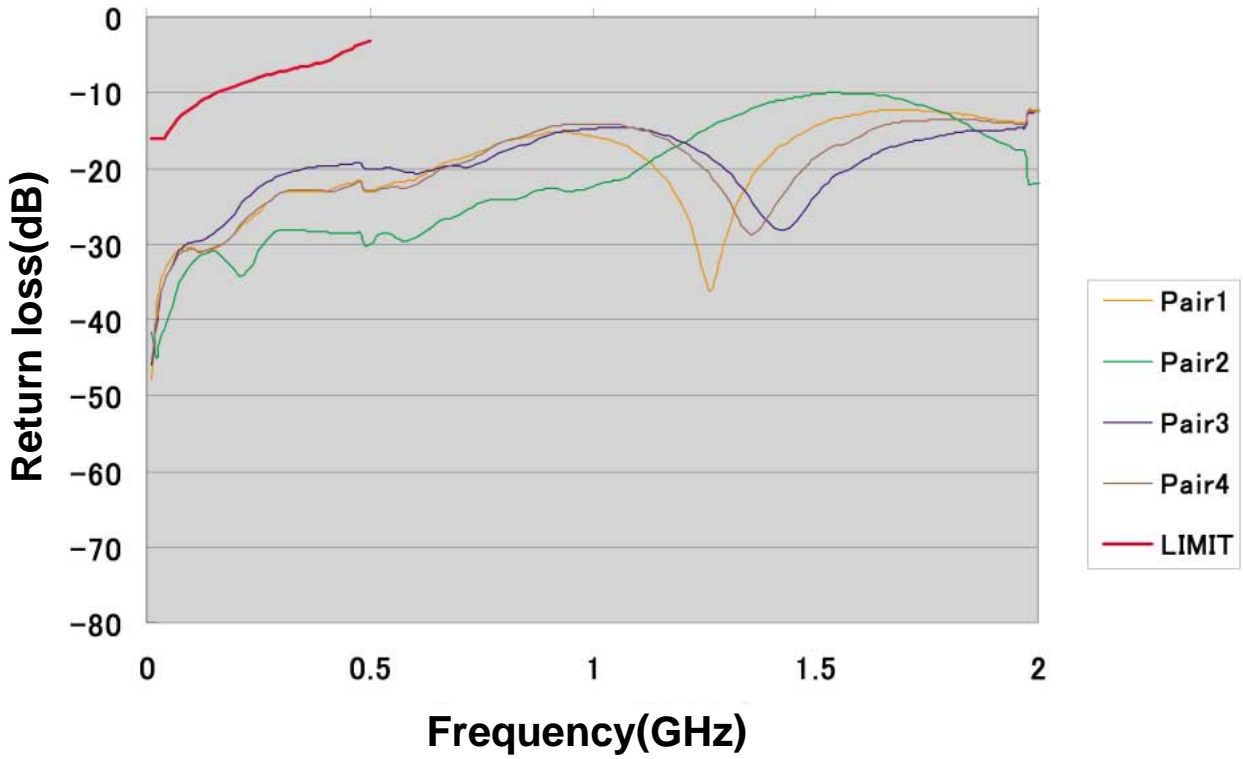
Impedance Balance → Scd11



● FEXT Data



●Return Loss Data



●Impedance Balance Data

