

heavy|mate - C146 M Pin module (for turned 6 mm contacts)

Part No. C146 A02 001 E8

Series Heavy duty connectors heavy|mate - C 146

Subseries Heavy duty connector heavy|mate - C146 M



Abbildung stellvertretend für alle verfügbaren Polzahlen.

COMMON CHARACTERISTICS		
No. of contacts		2
ELECTRICAL CHARACTERISTICS		
Rated voltage	DIN EN 60664-1 / IEC 60664-1	1000V
Rated impulse voltage	DIN EN 60664-1 / IEC 60664-1	8000V
Rated current at 40°C		150 A
Voltage proof	DIN EN 60512-2, Test 4a / IEC 60512-2, Test 4a	4,26 KV
Installation category	DIN EN 60664-1 / IEC 60664-1	III
Insulation group	DIN EN 60664-1 / IEC 60664-1	II
Insulation resistance	DIN EN 60512-2, Test 3a / IEC 60512-2, Test 3a	$\geq 10^{12}$
Contact resistance	DIN EN 60512-2, Test 2a / IEC 60512-2 Test 2a	<1 m
Current carrying capacity	DIN EN 60512-3, Test 5b / IEC 60512-2 Test 5b	see derating curves
Pollution degree	DIN EN 60664-1 / IEC 60664-1	3
CLIMATICAL CHARACTERISTICS		
Temperature range		40 / 125 / 21
Upper temperature		+ 125 °C
Lower temperatur		-40 °C
MECHANICAL CHARACTERISTICS		
IP degree of protection	DIN EN 60529 / IEC 60529	IP20 unmated
Mechanical lifetime		$\geq 500$ mating cycles
MATERIALS		
Contacts		Cu-alloy
Insert		PA 6.6
Colour		black
Contact plating		silver plated
FURTHER CHARACTERISTICS		
Termination		crimp
Wire gauge		16 - 35 mm <sup>2</sup>
Wire gauge (AWG)		6 - 2
Flammability	UL 94	V-0

heavy|mate - C146 M Pin module (for turned 6 mm contacts)

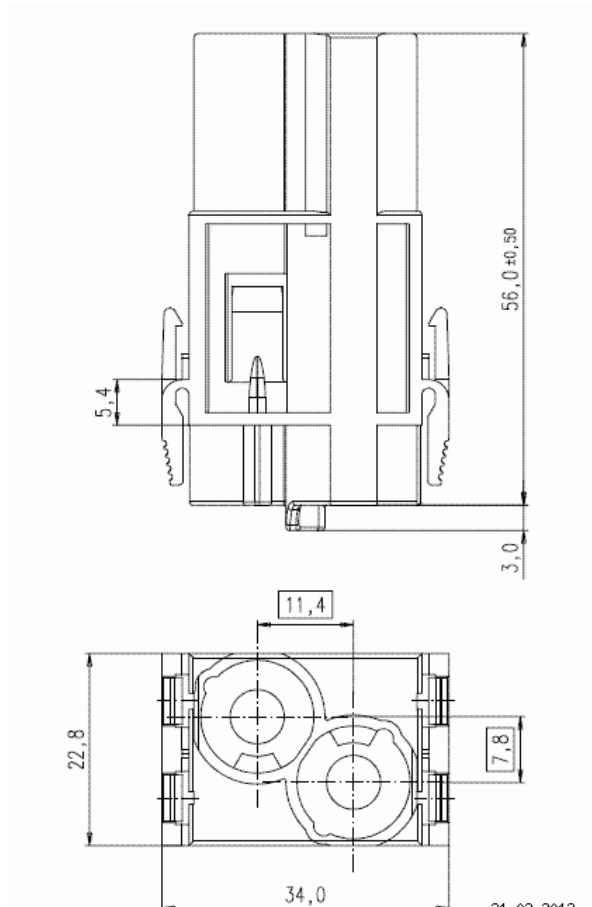
Part No. C146 A02 001 E8

Series Heavy duty connectors heavy|mate - C 146

Subseries Heavy duty connector heavy|mate - C146 M



Abbildung stellvertretend für alle verfügbaren Polzahlen.



Maßzeichnung Dimensions in mm (Inch)

21.03.2012