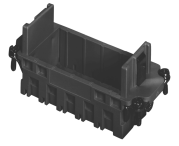


heavy|mate - C146 M socket module

Part No. C146 S16 001 G8

Series Heavy duty connectors heavy|mate - C 146

Subseries Heavy duty connector heavy|mate - C146 M



## COMMON CHARACTERISTICS

|              |  |       |
|--------------|--|-------|
| Colour       |  | black |
| Flammability |  | V-0   |

## ELECTRICAL CHARACTERISTICS

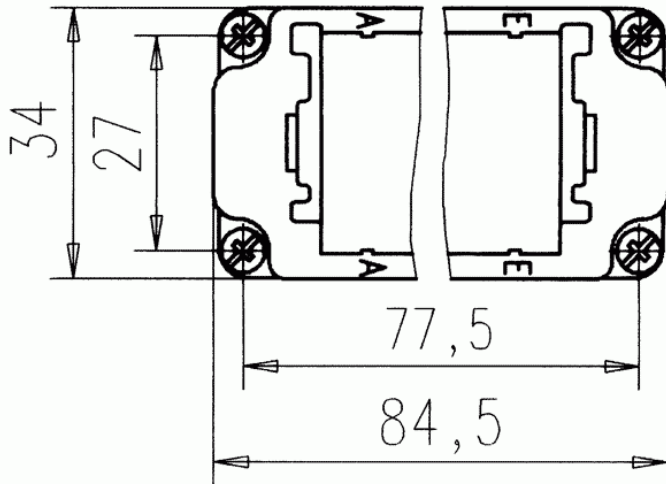
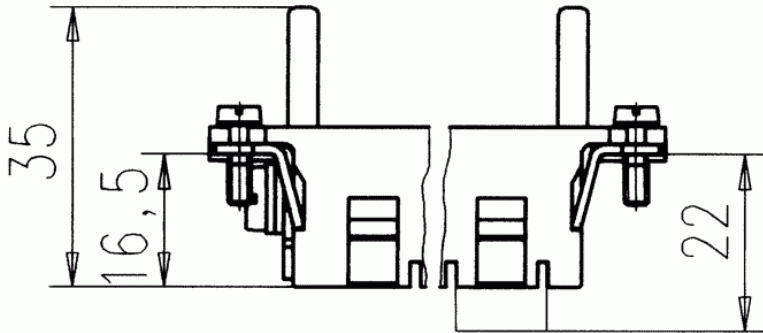
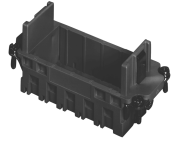
|                       |  |                |
|-----------------------|--|----------------|
| Installation category | DIN EN 60664-1 / IEC 60664-1                       | III            |
| Insulation group      | DIN EN 60664-1 / IEC 60664-1                       | II             |
| Insulation resistance | DIN EN 60512-3-1, Test 3a / IEC 60512-3-1, Test 3a | $\geq 10^{12}$ |
| Contact resistance    | DIN EN 60512-2-1, Test 2a / IEC 60512-2-1, Test 2a | < 5 m          |
| Pollution degree      | DIN EN 60664-1 / IEC 60664-1                       | 3              |

heavy|mate - C146 M socket module

Part No. C146 S16 001 G8

Series Heavy duty connectors heavy|mate - C 146

Subseries Heavy duty connector heavy|mate - C146 M



Ma zeichnung Dimensions in mm (Inch)

20.09.2007