

Stamped contacts crimp male contact for wire gauge 24 - 20

Part No. ZN 01 010 0131 (2)

Series Contacts

Subseries Contact Stamped contacts



COMMON CHARACTERISTICS

| | | |
|-------------------------|--|---|
| Wire gauge from | | 0,25 |
| Wire gauge to | | 0,50 |
| Wire gauge (AWG) from | | 24 |
| Wire gauge (AWG) to | | 20 |
| Packaging / supplied as | | Contacts on reel for hand crimping tool |
| No. of pieces | | 350 |
| Sex of Contact | | Pin |
| Type of contact | | Stamped/rolled crimp contact |

ELECTRICAL CHARACTERISTICS

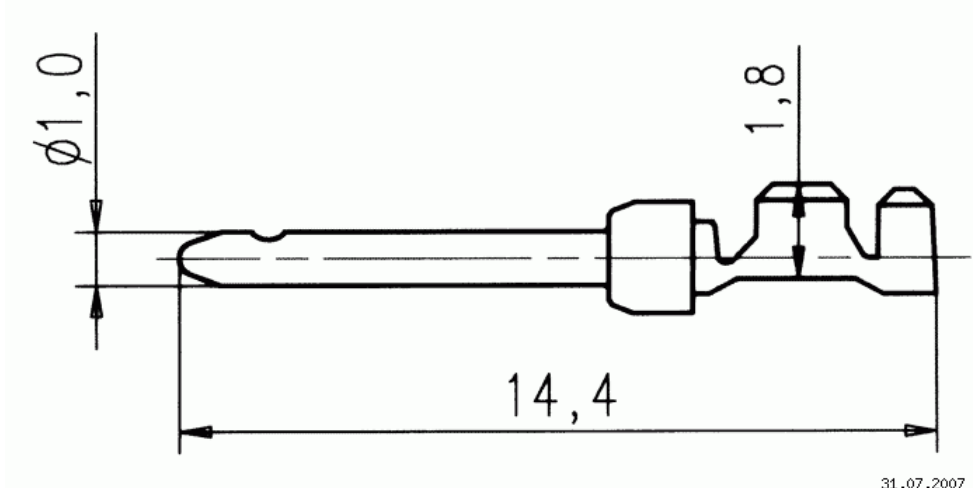
| | | |
|--------------------|--|-------|
| Contact resistance | DIN EN 60512-2-1, Test 2a / IEC 60512-2-1, Test 2a | < 5 m |
|--------------------|--|-------|

Stamped contacts crimp male contact for wire gauge 24 - 20

Part No. ZN 01 010 0131 (2)

Series Contacts

Subseries Contact Stamped contacts



Ma zeichnung Dimensions in mm (Inch)

31.07.2007

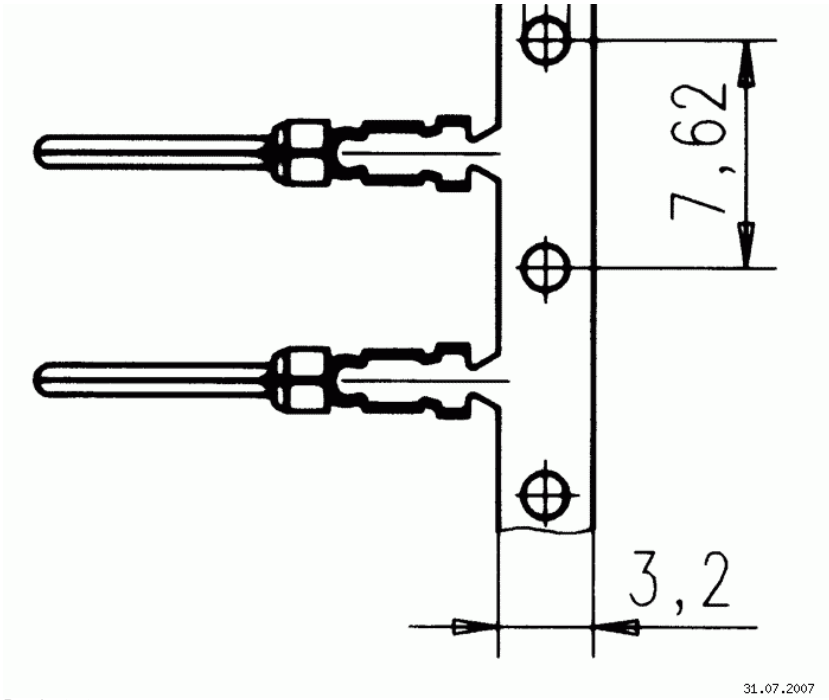
Stamped contacts crimp male contact for wire gauge 24 - 20

Part No. ZN 01 010 0131 (2)

Series Contacts

Subseries Contact Stamped contacts





Panel cutout

31.07.2007