

Turned contacts turned crimp male contact for wire gauge 26 - 22

Part No. VN 01 016 0024 (1)C



Series Contacts

Subseries Contact Turned contacts

#### COMMON CHARACTERISTICS

Wire gauge from		0,14
Wire gauge to		0,37
Wire gauge (AWG) from		26
Wire gauge (AWG) to		22
Packaging / supplied as		Single contact
No. of pieces		100
Sex of Contact		Pin
Type of contact		Turned crimp contact

#### CLIMATICAL CHARACTERISTICS

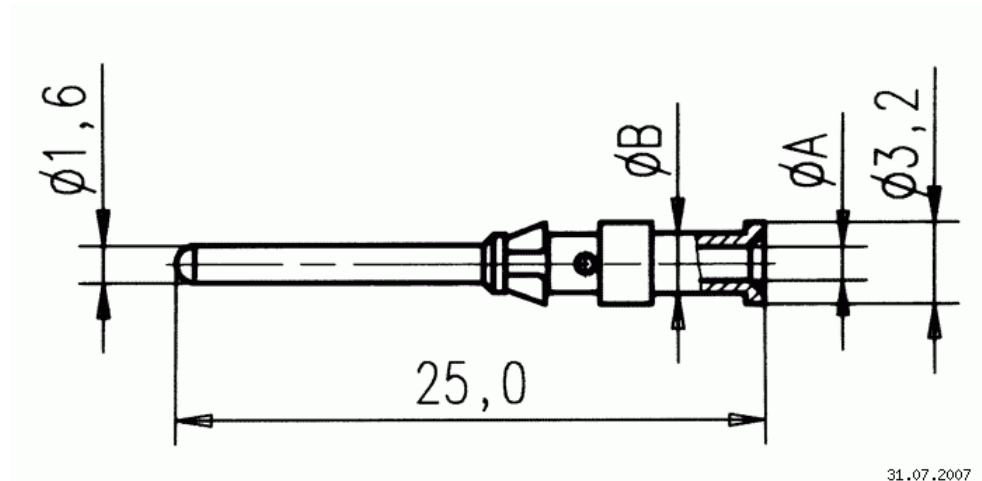
Upper temperature		+ 125 °C
Lower temperatur		- 40 °C

Turned contacts turned crimp male contact for wire gauge 26 - 22

Part No. VN 01 016 0024 (1)C

Series Contacts

Subseries Contact Turned contacts



Ma zeichnung Dimensions in mm (Inch)

31.07.2007