

Turned contacts turned crimp male contact for wire gauge 20

Part No. VN 01 016 0025 (1)C



Series Contacts

Subseries Contact Turned contacts

COMMON CHARACTERISTICS

| | | |
|-------------------------|--|----------------------|
| Wire gauge from | | 0,5 |
| Wire gauge (AWG) from | | 20 |
| Packaging / supplied as | | Single contact |
| No. of pieces | | 100 |
| Sex of Contact | | Pin |
| Type of contact | | Turned crimp contact |

CLIMATICAL CHARACTERISTICS

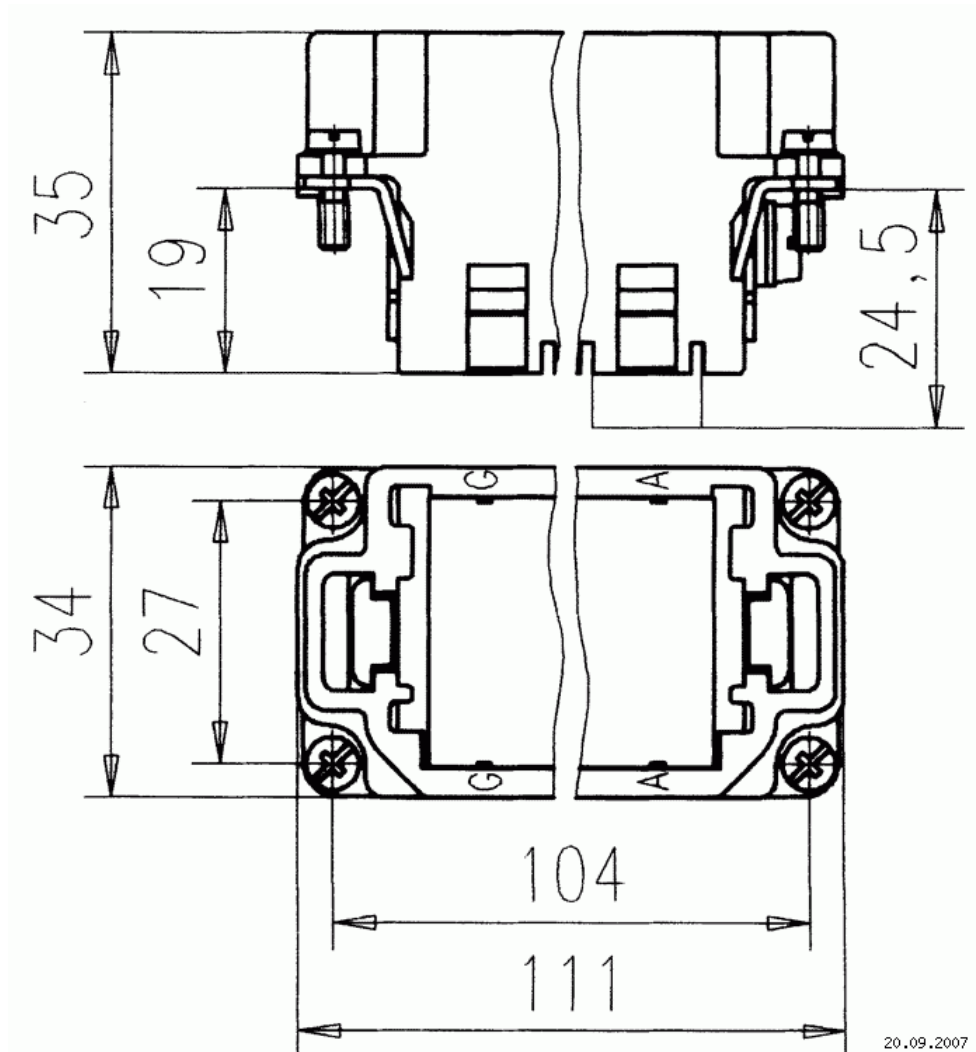
| | | |
|-------------------|--|----------|
| Upper temperature | | + 125 °C |
| Lower temperatur | | - 40 °C |

Turned contacts turned crimp male contact for wire gauge 20

Part No. VN 01 016 0025 (1)C

Series Contacts

Subseries Contact Turned contacts



Ma zeichnung Dimensions in mm (Inch)

20.09.2007