

Turned contacts turned crimp female contact for wire gauge 20

Part No. VN 02 025 0029 (1)C



Series Contacts

Subseries Contact Turned contacts

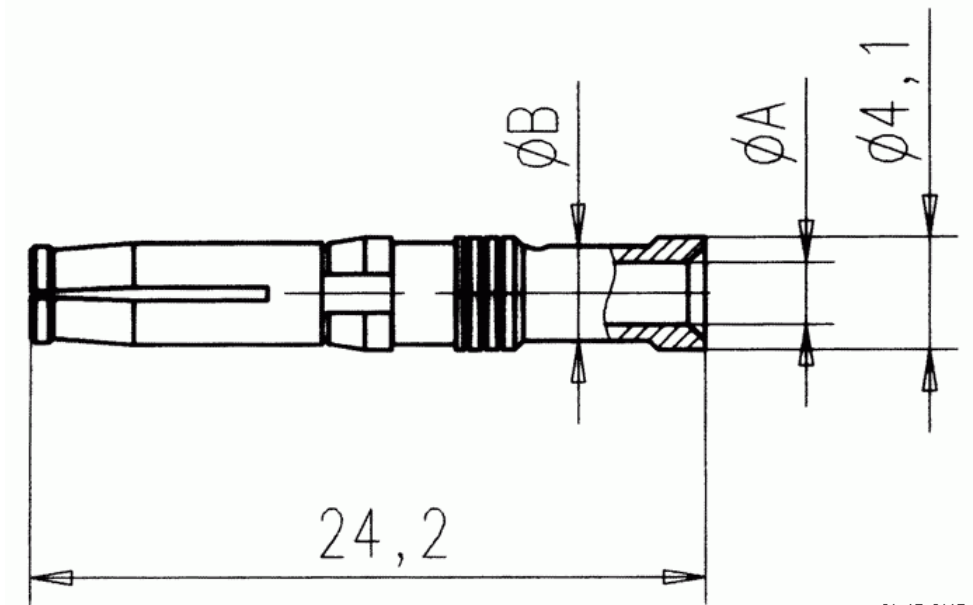
| COMMON CHARACTERISTICS | | |
|----------------------------|--|----------------------|
| Wire gauge from | | 0,5 |
| Wire gauge (AWG) from | | 20 |
| Packaging / supplied as | | Single contact |
| No. of pieces | | 100 |
| Sex of Contact | | Socket |
| Type of contact | | Turned crimp contact |
| ELECTRICAL CHARACTERISTICS | | |
| Contact resistance | DIN EN 60512-2-1, Test 2a / IEC 60512-2-1, Test 2a | 0 m |

Turned contacts turned crimp female contact for wire gauge 20

Part No. VN 02 025 0029 (1)C

Series Contacts

Subseries Contact Turned contacts



Ma zeichnung Dimensions in mm (Inch)

31.07.2007