

Turned contacts turned crimp female contact for wire gauge 16

Part No. VN 02 025 0031 (1)C



Series Contacts

Subseries Contact Turned contacts

COMMON CHARACTERISTICS

Wire gauge from		1,5
Wire gauge (AWG) from		16
Packaging / supplied as		Single contact
No. of pieces		100
Sex of Contact		Socket
Type of contact		Turned crimp contact

ELECTRICAL CHARACTERISTICS

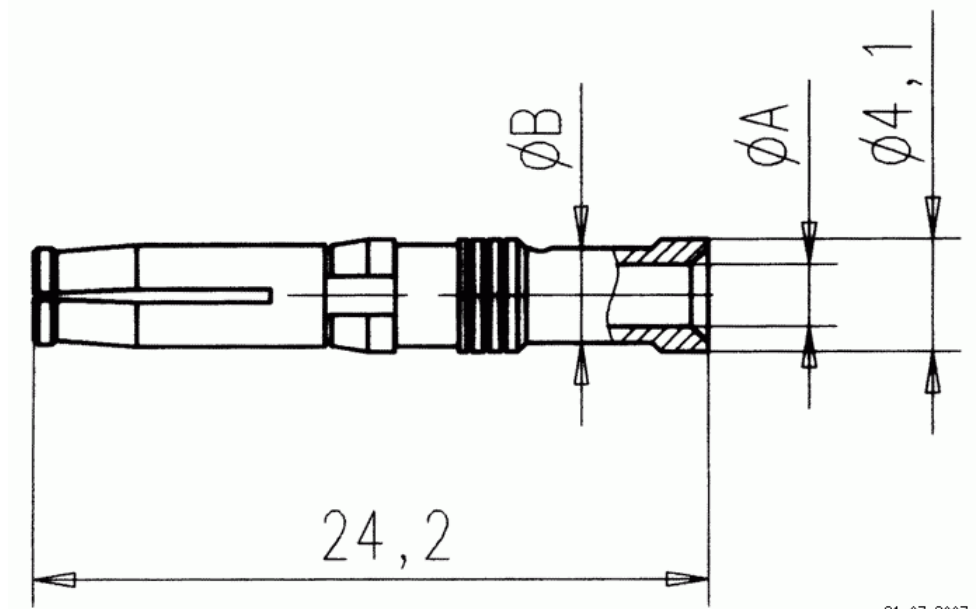
Contact resistance	DIN EN 60512-2-1, Test 2a / IEC 60512-2-1, Test 2a	0 m
--------------------	--	-----

Turned contacts turned crimp female contact for wire gauge 16

Part No. VN 02 025 0031 (1)C

Series Contacts

Subseries Contact Turned contacts



Ma zeichnung Dimensions in mm (Inch)

31.07.2007