

Turned contacts

Part No. N01 060 0007 1

Series Contacts

Subseries Contact Turned contacts



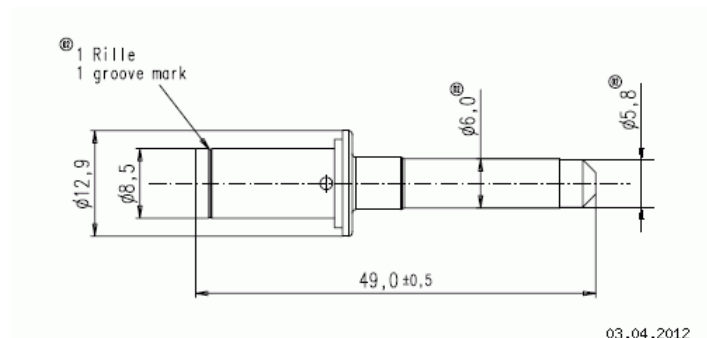
| COMMON CHARACTERISTICS | | |
|----------------------------|--|----------------------|
| Wire gauge from | | 16 |
| Wire gauge (AWG) from | | 6 |
| Packaging / supplied as | | Single contact |
| No. of pieces | | 1 |
| Sex of Contact | | Pin |
| Type of contact | | Turned crimp contact |
| ELECTRICAL CHARACTERISTICS | | |
| Contact resistance | DIN EN 60512-2-1, Test 2a / IEC 60512-2-1, Test 2a | ≤ 1 m |

Turned contacts

Part No. N01 060 0007 1

Series Contacts

Subseries Contact Turned contacts



Ma zeichnung Dimensions in mm (Inch)