

# 2.5V Drive Nch+Pch MOSFET

## US6M2

### ●Structure

Silicon N-channel MOSFET /  
Silicon P-channel MOSFET

### ●Features

- 1) Nch MOSFET and Pch MOSFET are put in TUMT6 package.
- 2) High-speed switching, low On-resistance.
- 3) Low voltage drive (2.5V drive).
- 4) Built-in G-S Protection Diode.

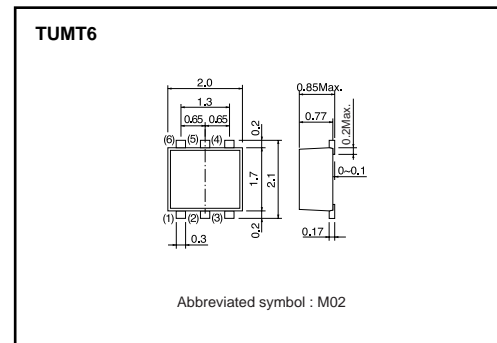
### ●Applications

Switching

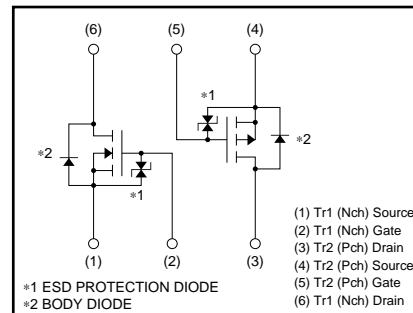
### ●Packaging specifications

Type	Package	Taping
	Code	TR
	Basic ordering unit (pieces)	3000
US6M2		○

### ●Dimensions (Unit : mm)



### ●Inner circuit



### ●Absolute maximum ratings (Ta=25°C)

Parameter	Symbol	Limits		Unit
		Tr1 : Nchannel	Tr2 : Pchannel	
Drain-source voltage	V <sub>DSS</sub>	30	-20	V
Gate-source voltage	V <sub>GSS</sub>	12	-12	V
Drain current	Continuous	I <sub>D</sub>	±1.5	A
	Pulsed	I <sub>DP</sub> *1	±6	A
Source current (Body diode)	Continuous	I <sub>S</sub>	0.6	A
	Pulsed	I <sub>SP</sub> *1	6	A
Total power dissipation	P <sub>D</sub> *2	1.0		W / TOTAL
		0.7		W / ELEMENT
Channel temperature	T <sub>ch</sub>	150		°C
Storage temperature	T <sub>stg</sub>	-55 to +150		°C

\*1 P<sub>w</sub> ≤ 10μs, Duty cycle ≤ 1%

\*2 Mounted on a ceramic board.

### ●Thermal resistance

Parameter	Symbol	Limits	Unit
Channel to ambient	R <sub>th(ch-a)</sub> *	125	°C/W / TOTAL
		179	°C/W / ELEMENT

\* Mounted on a ceramic board

## Transistors

## N-ch

## ●Electrical characteristics (Ta=25°C)

Parameter	Symbol	Min.	Typ.	Max.	Unit	Conditions
Gate-source leakage	I <sub>GSS</sub>	–	–	10	μA	V <sub>GS</sub> =12V, V <sub>DS</sub> =0V
Drain-source breakdown voltage	V <sub>(BR) DSS</sub>	30	–	–	V	I <sub>D</sub> = 1mA, V <sub>GS</sub> =0V
Zero gate voltage drain current	I <sub>DSS</sub>	–	–	1	μA	V <sub>DS</sub> = 30V, V <sub>GS</sub> =0V
Gate threshold voltage	V <sub>GS(th)</sub>	0.5	–	1.5	V	V <sub>DS</sub> = 10V, I <sub>D</sub> = 1mA
Static drain-source on-state resistance	R <sub>DS(on)</sub> *	–	170	240	mΩ	I <sub>D</sub> = 1.5A, V <sub>GS</sub> = 4.5V
		–	180	250	mΩ	I <sub>D</sub> = 1.5A, V <sub>GS</sub> = 4V
		–	240	340	mΩ	I <sub>D</sub> = 1.5A, V <sub>GS</sub> = 2.5V
Forward transfer admittance	Y <sub>fs</sub>  *	1.5	–	–	S	V <sub>DS</sub> = 10V, I <sub>D</sub> = 1.5A
Input capacitance	C <sub>iss</sub>	–	80	–	pF	V <sub>DS</sub> = 10V
Output capacitance	C <sub>oss</sub>	–	13	–	pF	V <sub>GS</sub> =0V
Reverse transfer capacitance	C <sub>rss</sub>	–	12	–	pF	f=1MHz
Turn-on delay time	t <sub>d(on)</sub> *	–	7	–	ns	V <sub>DD</sub> ≐ 15V I <sub>D</sub> = 0.75A
Rise time	t <sub>r</sub> *	–	9	–	ns	V <sub>GS</sub> = 4.5V
Turn-off delay time	t <sub>d(off)</sub> *	–	15	–	ns	R <sub>L</sub> = 20Ω
Fall time	t <sub>f</sub> *	–	6	–	ns	R <sub>G</sub> =10Ω
Total gate charge	Q <sub>g</sub> *	–	1.6	2.2	nC	V <sub>DD</sub> ≐ 15V, V <sub>GS</sub> = 4.5V
Gate-source charge	Q <sub>gs</sub> *	–	0.5	–	nC	I <sub>D</sub> = 1.5A
Gate-drain charge	Q <sub>gd</sub> *	–	0.3	–	nC	R <sub>L</sub> = 10Ω, R <sub>G</sub> = 10Ω

\*Pulsed

## ●Body diode characteristics (Source-drain) (Ta=25°C)

Parameter	Symbol	Min.	Typ.	Max.	Unit	Conditions
Forward voltage	V <sub>SD</sub>	–	–	1.2	V	I <sub>S</sub> = 0.6A, V <sub>GS</sub> =0V

## Transistors

## P-ch

## ●Electrical characteristics (Ta=25°C)

Parameter	Symbol	Min.	Typ.	Max.	Unit	Conditions
Gate-source leakage	$I_{GSS}$	–	–	10	$\mu A$	$V_{GS} = -12V, V_{DS} = 0V$
Drain-source breakdown voltage	$V_{(BR)DSS}$	-20	–	–	V	$I_D = -1mA, V_{GS} = 0V$
Zero gate voltage drain current	$I_{DSS}$	–	–	-1	$\mu A$	$V_{DS} = -20V, V_{GS} = 0V$
Gate threshold voltage	$V_{GS(th)}$	-0.7	–	-2.0	V	$V_{DS} = -10V, I_D = -1mA$
Static drain-source on-state resistance	$R_{DS(on)}$ *	–	280	390	m $\Omega$	$I_D = -1A, V_{GS} = -4.5V$
		–	310	430	m $\Omega$	$I_D = -1A, V_{GS} = -4V$
		–	570	800	m $\Omega$	$I_D = -0.5A, V_{GS} = -2.5V$
Forward transfer admittance	$ Y_{fs} $ *	0.7	–	–	S	$V_{DS} = -10V, I_D = -0.5A$
Input capacitance	$C_{iss}$	–	150	–	pF	$V_{DS} = -10V$
Output capacitance	$C_{oss}$	–	20	–	pF	$V_{GS} = 0V$
Reverse transfer capacitance	$C_{rss}$	–	20	–	pF	$f = 1MHz$
Turn-on delay time	$t_{d(on)}$ *	–	9	–	ns	$V_{DD} = -15V$
Rise time	$t_r$ *	–	8	–	ns	$I_D = -0.5A$
Turn-off delay time	$t_{d(off)}$ *	–	25	–	ns	$V_{GS} = -4.5V$
Fall time	$t_f$ *	–	10	–	ns	$R_L = 30\Omega$
Total gate charge	$Q_g$ *	–	2.1	–	nC	$V_{DD} = -15V, V_{GS} = -4.5V$
Gate-source charge	$Q_{gs}$ *	–	0.5	–	nC	$I_D = -1A$
Gate-drain charge	$Q_{gd}$ *	–	0.5	–	nC	$R_L = 15\Omega, R_G = 10\Omega$

\*Pulsed

## ●Body diode characteristics (Source-drain) (Ta=25°C)

Parameter	Symbol	Min.	Typ.	Max.	Unit	Conditions
Forward voltage	$V_{SD}$	–	–	-1.2	V	$I_S = -0.4A, V_{GS} = 0V$

### Notes

- No technical content pages of this document may be reproduced in any form or transmitted by any means without prior permission of ROHM CO.,LTD.
- The contents described herein are subject to change without notice. The specifications for the product described in this document are for reference only. Upon actual use, therefore, please request that specifications to be separately delivered.
- Application circuit diagrams and circuit constants contained herein are shown as examples of standard use and operation. Please pay careful attention to the peripheral conditions when designing circuits and deciding upon circuit constants in the set.
- Any data, including, but not limited to application circuit diagrams information, described herein are intended only as illustrations of such devices and not as the specifications for such devices. ROHM CO.,LTD. disclaims any warranty that any use of such devices shall be free from infringement of any third party's intellectual property rights or other proprietary rights, and further, assumes no liability of whatsoever nature in the event of any such infringement, or arising from or connected with or related to the use of such devices.
- Upon the sale of any such devices, other than for buyer's right to use such devices itself, resell or otherwise dispose of the same, no express or implied right or license to practice or commercially exploit any intellectual property rights or other proprietary rights owned or controlled by
- ROHM CO., LTD. is granted to any such buyer.
- Products listed in this document are no antiradiation design.

The products listed in this document are designed to be used with ordinary electronic equipment or devices (such as audio visual equipment, office-automation equipment, communications devices, electrical appliances and electronic toys).

Should you intend to use these products with equipment or devices which require an extremely high level of reliability and the malfunction of which would directly endanger human life (such as medical instruments, transportation equipment, aerospace machinery, nuclear-reactor controllers, fuel controllers and other safety devices), please be sure to consult with our sales representative in advance.

#### About Export Control Order in Japan

Products described herein are the objects of controlled goods in Annex 1 (Item 16) of Export Trade Control Order in Japan.

In case of export from Japan, please confirm if it applies to "objective" criteria or an "informed" (by MITI clause) on the basis of "catch all controls for Non-Proliferation of Weapons of Mass Destruction.