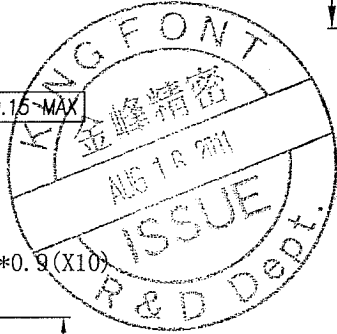
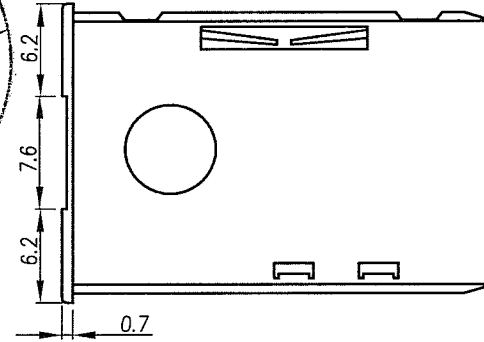
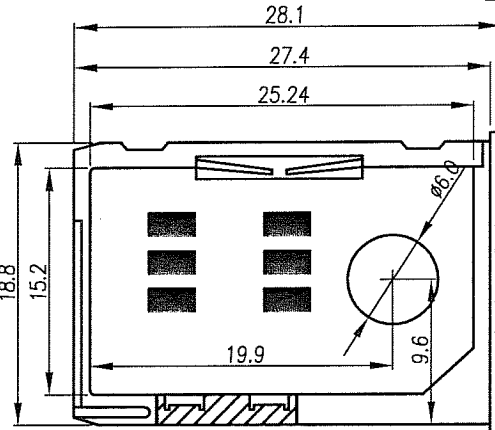
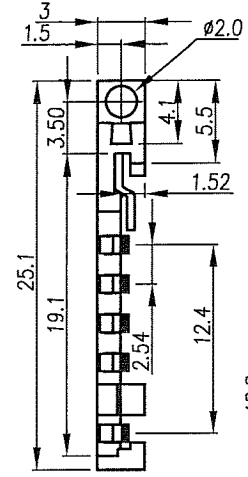
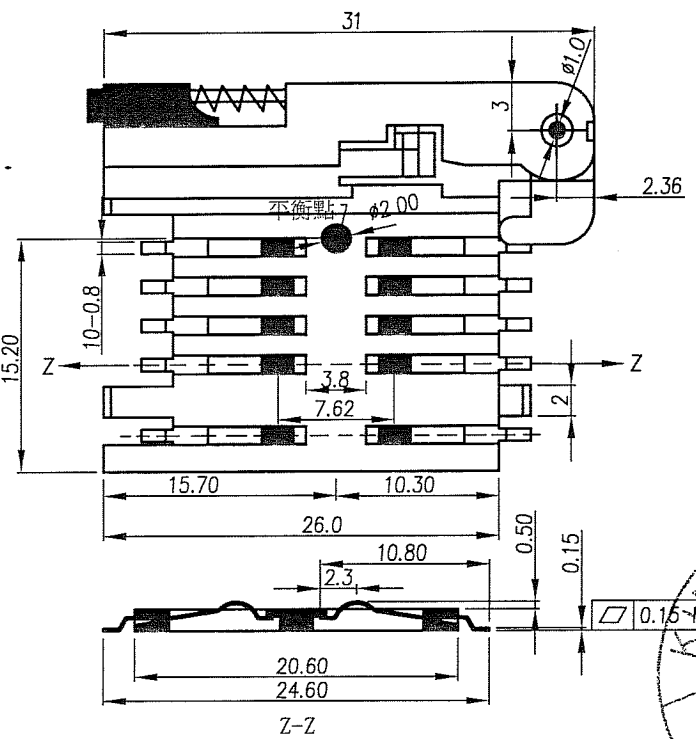


REV	MODIFICATION	DATE	DRAW
E	EN-09-0522	98/05/25	SAN
F	EN-10-1232	99/12/28	SAN
G	EN-11-0809	100/08/08	Stacy



C1	VCC	C5	GND
C2	RST	C6	VPP
C3	CLK	C7	I/O
C4	NC	C8	NC

Specification:

- \* Withstanding Voltage: 500V DC /1M.
- \* Insulation Resistance: 1000M Ohm
- \* Voltage Rating: 5V AC
- \* Current Rating: 0.5A/Product Max.
- \* Contact Resistance: 60m Ohm Max.
- \* Operating Temperature: -25°C ~ +85°C
- \* Insertion Cycles: 10000 Times Min
- \* Press Force: 0.2N~0.6N

Material and Finish:

- \* Housing: LCP+30%G.F. UL 94V-0, Black
- \* Contact: Copper Alloy
- \* Contact Area: Gold Plating All Over Ni

ORDER INFORMATION:

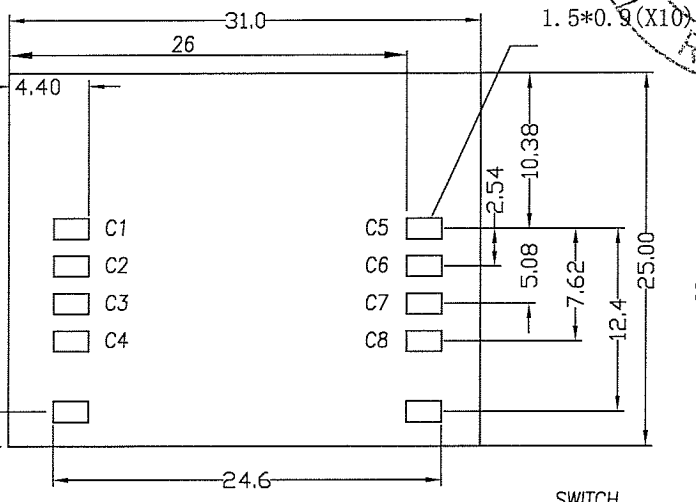
SIMMP-P XX XX BT 0 X

Packing  
0: Tube  
1: Tape & Reel

Comply To RoHS

NO. OF CONTACTS  
06: 6PIN  
08: 8PIN

Plating  
10: 10u"  
30: 30u"



RECOMMENDED PCB LAYOUT

DIMENSION IN mm [Inch]		PROD. SPEC.
TOLERANCE UNLESS OTHERWISE SPECIFIED		PKG. SPEC.
.X±0.15	X'±	APPROVE <i>Gomy</i>
.XX±0.10	.X'±	CHECK <i>Fory</i>
.XXX±0.03	.XX'±	DRAW <i>[Signature]</i>

KINGFONT PRECISION INDUSTRIAL CO., LTD.	
TITLE	SIM CARD CONN. PUSH-IN/OUT SMT TYPE
CUSTOMER DRAWING	
FILE NO. SIM-KF016	DWG NO. SIMMP-PXXXXBTOX
SIZE	A4
PROJ.	SHEET 1 / 1
SCALE	2:1 REV G