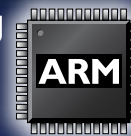


# FS2009 USB

Supporting



FLASH  
microcontrollers

## Portable ISP Programmer for Field-Service and Production applications



The FS2009USB ARM programmer being used in standalone mode



FS2009USB programmer  
with 20-way ISP cable



The **FS2009USB(ARM)** is a high-speed **portable programmer** designed for field-service and production **In-System Programming (ISP)** applications. It supports programming of many popular **ARM FLASH microcontroller** devices via the ARM JTAG Debug Interface. The programmer is capable of operating in **'Standalone Mode'** (without PC) allowing an operator to select from 1 of 64 **'Standalone Programming Projects'** using the display and keypad. A single **'Autoprogram'** key is then used to repetitively program the selected project.

- Portable In-System (ISP) Programmer
- Ideal for **Field-service** or low-volume **Production** programming
- Supports In-system Programming (ISP) of many ARM FLASH microcontroller families from Atmel, NXP and ST
- Supports high-speed programming via the **ARM JTAG Debug Interface**
- Supports **'Standalone'** operation - no PC required after programmer has been configured
- Low power consumption allows the programmer to be powered from most Target Systems (no external supply required)
- High-speed USB connection to PC
- Backwards compatible with FS2003 and FS2009 programmers

**FIELD-SERVICE**

**PRODUCTION PROGRAMMING**

**TARGET / USB POWERED**

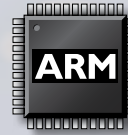
**FIRMWARE UPGRADEABLE**



**The Embedded Solutions Company**

# FS2009 USB

Supporting



FLASH microcontrollers

## Programming Interfaces:

- Supports programming of ARM microcontrollers via the **ARM JTAG Debug Interface**
- Very fast programming speeds suitable for high-throughput production environments
- Robust I/O driver stage
- Individually configurable programmer I/O pins
- Supports programming of target ICs between 3.0 and 5.0V

## Control methods:

- PC control via on-board USB port
- Standalone keypad / display operation

## Standalone Mode:

- Supports loading of up to 64 x **'Standalone Programming Projects'** into the programmer memory (4 Mbytes capacity)
- Project selection via the keypad and display (no PC required)
- Single-button **auto-program** operation allows repetitive execution of the selected project



## Device support:

- Atmel **AT91SAM7 A / L / S / SE / X / XC** - ARM7 FLASH microcontrollers
- NXP - **LPC2xxx** - ARM7 FLASH microcontrollers
- ST **STM32 F4** Cortex M Series - FLASH microcontrollers
- Support for other ARM microcontrollers can be added on request

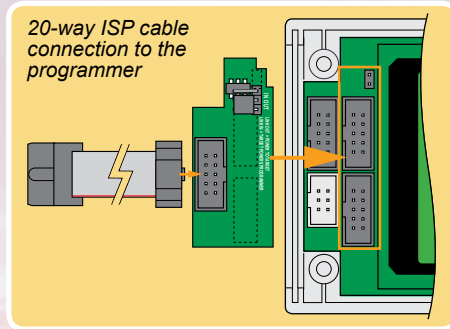
## Special ARM features:

- Very fast programming due to downloaded **'programming agent'** and use of the high-speed ARM JTAG port
- NXP LPC devices - automatic FLASH checksum generation and validation
- Atmel SAM7 - supports hardware Erase via the Erase pin

## Power supply:

- The programmer can be powered from:
  - User Target System (3.1 - 5.0V @ 60mA)
  - External power supply via jack socket (6.0 - 12.0V @ 60mA)

- PC USB Port (PC dependent)
  - External USB Power Pack (+5V only)
  - Programmer can supply either +3.3V or +5.0V regulated power to the Target System when it is powered from an external supply
  - Power supply is reverse-polarity protected
- ### ISP connectors / headers:
- A **20-pin ARM ISP cable** (2 x 10-pin 0.1" pitch IDC connector) is supplied with the programmer (see illustration below)



- A 10-pin ARM ISP cable is available separately

## Software (as standard):

- EQTools** - creates **'Standalone Programming Projects'**
- EDS** - Development Mode for testing under PC control
- Upload Wizard** - uploads projects to the programmer

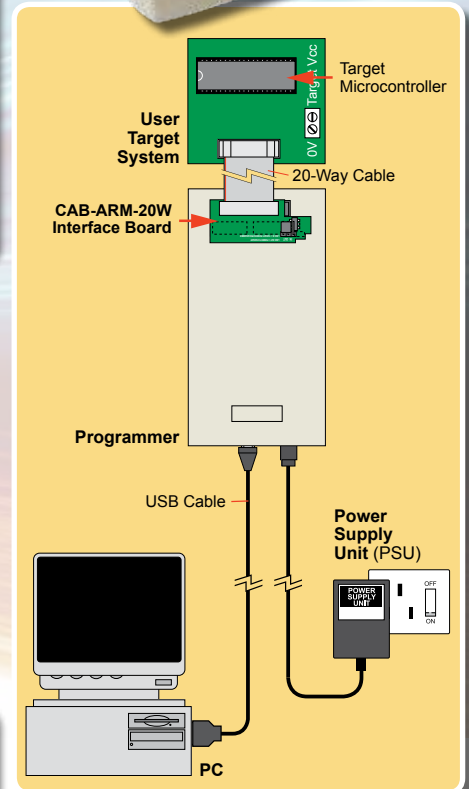
## Typical applications:

- Field-service programming** - supports up to 64 different customer firmware / product versions
- Low to medium volume **production programming**

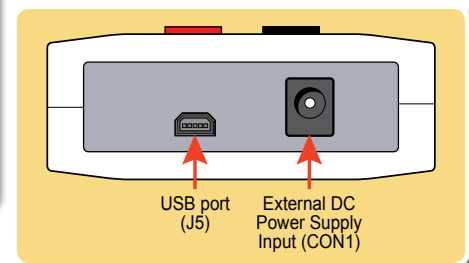


## System Contents:

The picture shows the typical contents of the FS2009USB(ARM) programming kit.



Typical programmer connection to PC and Target System (DUT)



Bottom panel connections

## Ordering information:

- FS2009USB(ARM)** - Programmer supporting ARM microcontrollers
- CAB-ARM-20W** - Spare ARM 20-way ISP cable (This cable is included with the programmer.)
- CAB-ARM-10W** - Spare ARM 10-way ISP cable

Equinox Technologies reserves the right to change any information contained within this leaflet without prior notice. E&OE



The Embedded Solutions Company