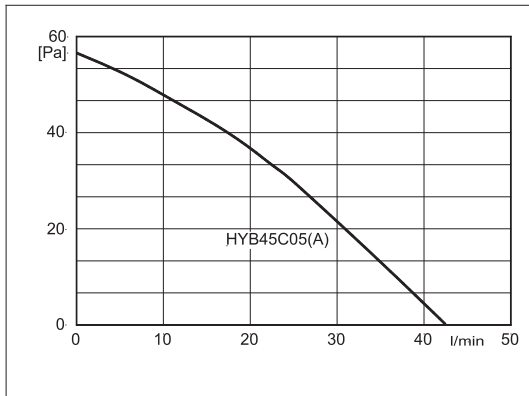


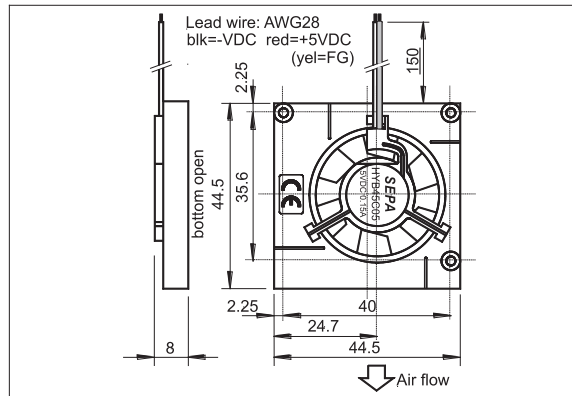
HYB45C05, HYB45C05A
HIGH PERFORMANCE FAN



AIR PERFORMANCE DIAGRAM



SHAPE AND DIMENSION



PERFORMANCE

CE	HYB45C05		HYB45C05A
	UL		
Operating Voltage	[V]	4.5 ... 5.0 ... 5.5	
Typ. Operating Current	[mA]	150	
Max. Start Current	[mA]	260	
Max. Air Flow	[l/min - m ³ /h]	42 – 2.52	
Max. Air Pressure	[mmH ₂ O - Pa]	5.8 – 57	
Typ. Noise @ 1m	[dB(A)]	26	
Operating Temperature	[°C]	-10/+70(80)	
Typ. Rotor Speed	[RPM]	5800	
Life Expectancy	[L ₁₀ /MTBF; h]	95000/280000	
Bearing System		ball bearing ZZ	
Weight	[g]	9	
FG Output	[Imp/rev.]	-	2
Packing Quantity	[PCs]	50-500	

This **SEPA**[®] turbo fan is suitable for industrial use and has a remarkable air flow performance despite its extremely small dimensions. Due to the linear air performance characteristic, the fan is applicable for different uses. Air intake could be on top or bottom, the outlet is on one side. It is permanently protected electrically against reverse polarity, blocking and thermal overloading. Due to the low rotor weight and precision balancing, it is virtually vibration-free. It is also insensitive to shock.

Further features of this fan are its extremely robust and torsionally rigid housing made from aluminium alloy, ball bearings with narrow tolerances, of special steel, polyester-based PCB (UL E44247) and absolute reliability due to 100% burn-in.

Technical changes without notice • 07/10

• Alarm Signal (Optional)

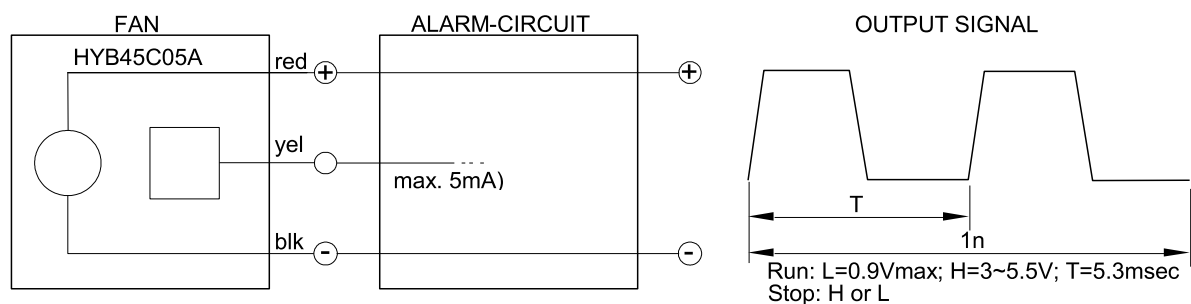
The **SEPA**® HYB45C05A includes a speed impulse output, which enables monitoring the correct function of the fan. An alarm-board is available on request.

The pulse is like a rectangular wave, the frequency correlates to 2 x rotor speed. At blocked rotor the output signal could be L ($\leq 0.9V$) or H (3.0~5.5V).

IMPORTANT: The pulse output is *not* protected against short circuit and must not connect to GND or Vcc without series-resistor. A pull-up-resistor is not needed.

Do not connect not used pulse output to GND or Vcc (insolate).
Do not touch the impeller! Please note the handling instructions.

The HYB45C05(A) has tinned lead wire ends (without connector).



• Accessories:

CONNECTOR on request

• Order Information

HYB45C05	SEPA ® Radial fan 5VDC, ball bearing, CE	114551000
HYB45C05A	SEPA ® Radial fan 5VDC, ball bearing, FG, CE	114551010