

# LTM4604A

## 2.375V<sub>IN(MIN)</sub>, 4A Step-Down μModule Regulator

### DESCRIPTION

Demonstration circuit 1392A features the LTM<sup>®</sup>4604AEV, the high efficiency, high density switch mode step-down μModule<sup>®</sup> regulator. The input voltage range is from 2.375V to 5.5V with a jumper selectable output voltage from 0.8V to 3.3V. The rated load current is 4A, while derating is necessary for certain V<sub>IN</sub>, V<sub>OUT</sub> and thermal conditions. By using the TRACK pin, the output can be set to coincidentally or ratiometrically track to another voltage rail.

The LTM4604A data sheet must be read in conjunction with this demo manual prior to working on or modifying demo circuit DC1392A.

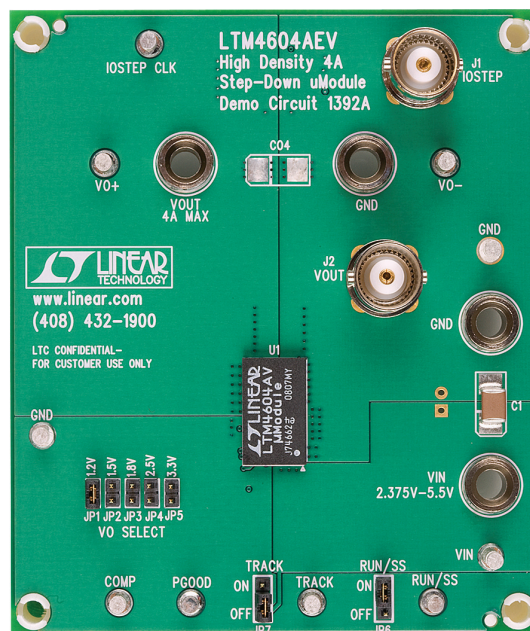
**Design files for this circuit board are available at <http://www.linear.com/demo>**

LT, LT, LTC, LTM, μModule, Linear Technology and the Linear logo are registered trademarks of Linear Technology Corporation. All other trademarks are the property of their respective owners.

### PERFORMANCE SUMMARY (T<sub>A</sub> = 25°C)

PARAMETER	CONDITION	VALUE
Input Voltage Range		2.375V to 5.5V
Output Voltage, V <sub>OUT</sub>	Jumper Selectable (Open for 0.8V)	1.2V, 1.5V, 1.8V, 2.5V, 3.3V; ±2%
Maximum Continuous Output Current	Derating is Necessary for Certain V <sub>IN</sub> , V <sub>OUT</sub> and Thermal Conditions	4A DC
Default Operating Frequency		1.25MHz
Efficiency	V <sub>IN</sub> = 5V, V <sub>OUT</sub> = 3.3V, I <sub>OUT</sub> = 4A	88% Typical, See Figure 3

### BOARD PHOTO



dc1392af

# DEMO MANUAL DC1392A

## QUICK START PROCEDURE

Demonstration circuit 1392A is an easy way to evaluate the performance of the LTM4604AEV. Please refer to Figure 1 for proper measurement equipment setup and follow the procedure below:

1. Place jumpers in the following positions for a typical 1.2V<sub>OUT</sub> application:

VO SELECT	TRACK	RUN/SS
1.2V	OFF	ON

2. With power off, connect the input power supply, load and meters as shown in Figure 1. Preset the load to 0A and V<sub>IN</sub> supply within the operating range of the LTM4604A.
3. Turn on the power at the input. The output voltage should be 1.2V ±2%.

4. Once the proper output voltage is established, adjust the load within the operating range and observe the output voltage regulation, ripple voltage, efficiency and other parameters
5. To measure input and output ripple, please refer to Figure 2 for proper setup.
6. For optional load transient test, apply adjustable pulse signal between IOSTEP CLK and GND pins. Pulse amplitude sets the current step. The pulse signal should have very small duty cycle (<5%) to limit the thermal stress on the transient load circuit. The output transient current can be monitored at BNC connector J1 (10mV/A), the output voltage can be monitored at BNC connector J2.

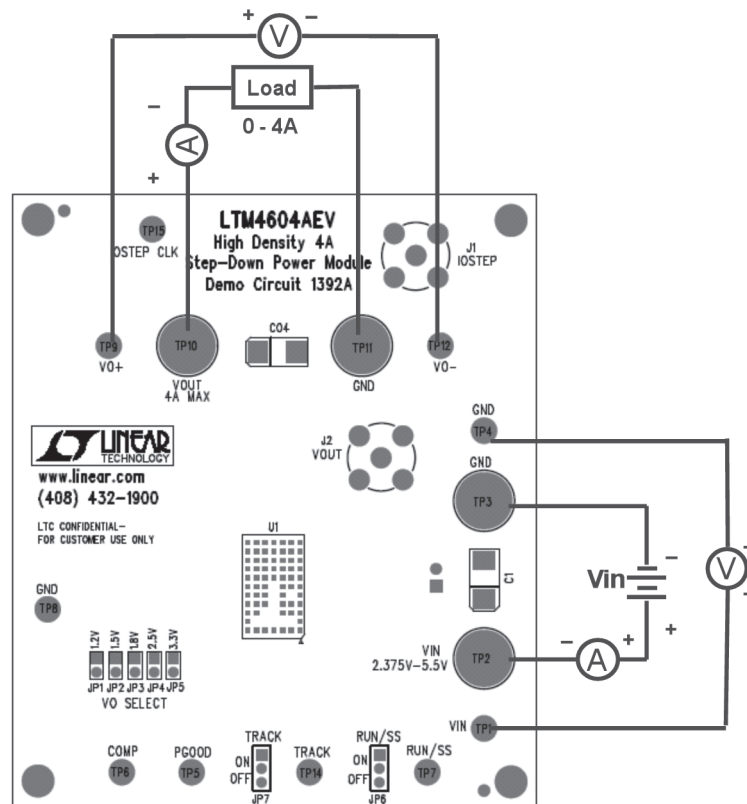


Figure 1. Test Setup of DC1392A

## QUICK START PROCEDURE

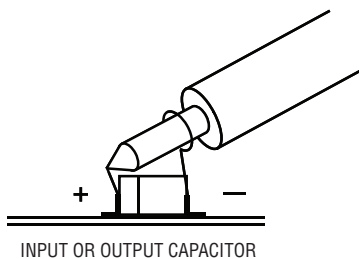


Figure 2. Scope Probe Placements for Measuring Input or Output Ripple

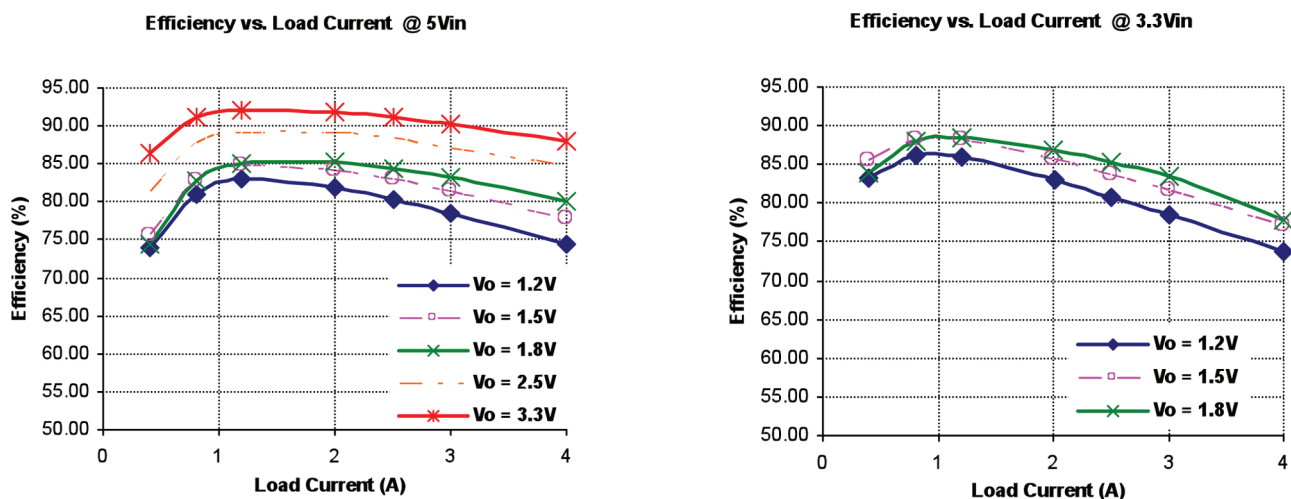


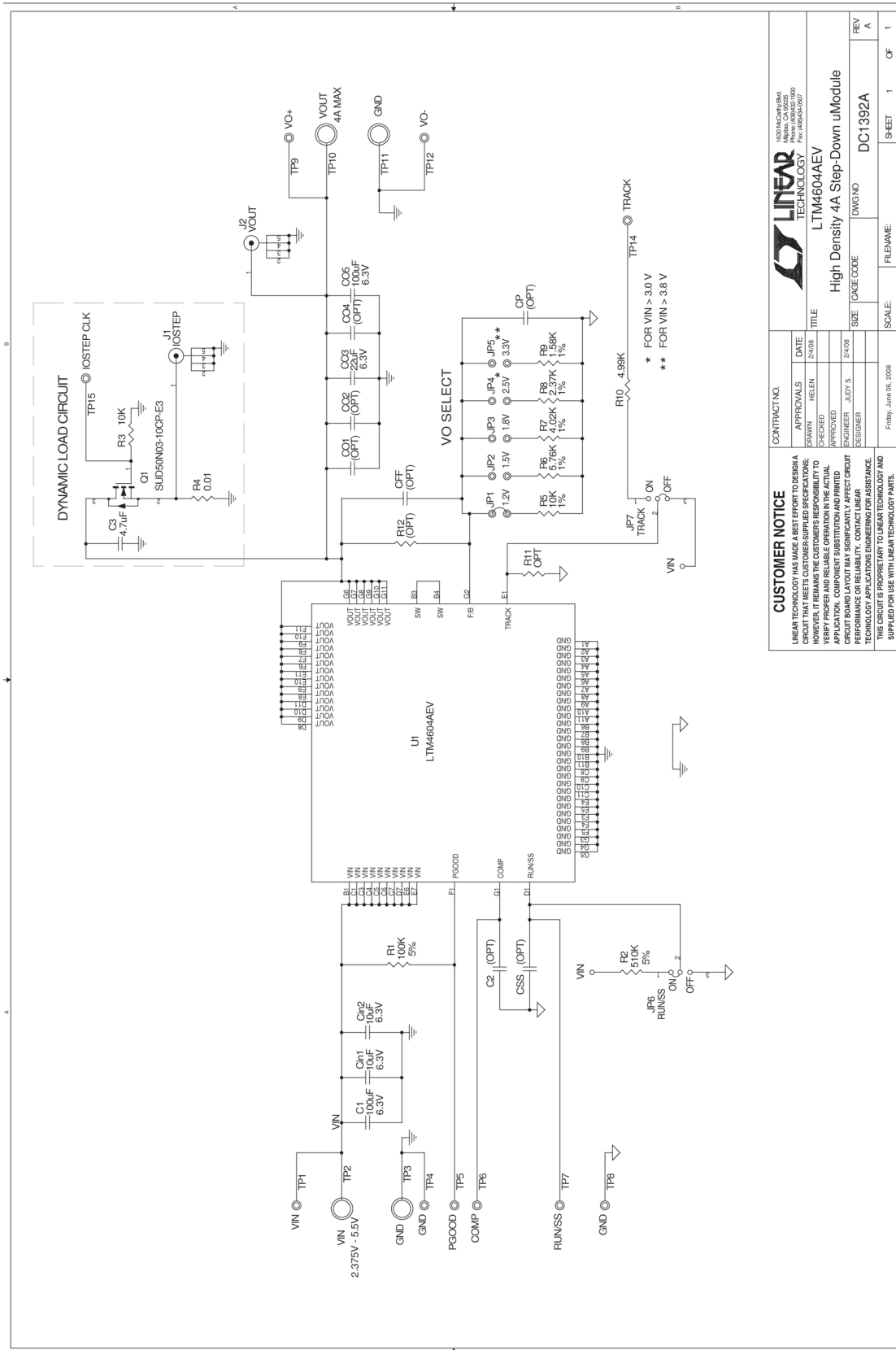
Figure 3. Measured Supply Efficiency with Different  $V_{IN}$  and  $V_{OUT}$

# DEMO MANUAL DC1392A

## PARTS LIST

ITEM	QTY	REFERENCE	PART DESCRIPTION	MANUFACTURER/PART NUMBER
<b>Required Circuit Components</b>				
1	2	C1, C05	CAP, X5R, 100µF, 6.3V, 20%, 1812	TDK, C4532X5R0J107M
2	2	CIN1, CIN2	CAP, X5R, 10µF, 6.3V, 10%, 1206	AVX, 12066D106KAT2A
3	1	C03	CAP, X5R, 22µF, 6.3V, 10%, 1206	AVX, 12066D226KAT2A
4	1	R5	RES., CHIP, 10k, 1/16W, 1%, 0603	VISHAY, CRCW060310K0FKEA
5	1	R2	RES., CHIP, 510k, 1/16W, 5%, 0603	VISHAY, CRCW0603510KJNEA
6	1	U1	I.C., LTM4604AEV	LINEAR TECH., LTM4604AEV#PBF
<b>Additional Demo Board Circuit Components</b>				
1	0	C2 (OPT)	CAP, 0603	
2	1	C3	CAP, X5R, 4.7µF, 6.3V, 10%, 0603	AVX, 06036D475KAT2A
3	0	C01, C02 (OPT)	CAP, 1210	
4	0	C04 (OPT)	CAP, 1812	
5	0	CSS, CP, CFF (OPT)	CAP., 0603	
6	1	Q1	N-CHANNEL 30V MOSFET, TO-252	VISHAY, SUD50N03-10CP-E3
7	1	R1	RES., CHIP, 100k, 1/16W, 5%, 0603	VISHAY, CRCW0603100KJNEA
8	1	R3	RES., CHIP, 10k, 1/16W, 1%, 0603	VISHAY, CRCW060310K0FKEA
9	1	R4	RES., CHIP, 0.01Ω, 0.5W, 1%, 1206	VISHAY, WSL1206R0100FEA18
10	1	R6	RES., CHIP 5.76k, 1/16W, 1%, 0603	VISHAY, CRCW06035K76FKEA
11	1	R7	RES., CHIP 4.02k, 1/16W, 1%, 0603	VISHAY, CRCW06034K02FKEA
12	1	R8	RES., CHIP, 2.37k, 1/16W, 1%, 0603	VISHAY, CRCW06032K37FKEA
13	1	R9	RES., CHIP, 1.58k, 1/16W, 1%, 0603	VISHAY, CRCW06031K58FKEA
14	0	R10-R12 (OPT)	RES., 0603	
<b>Hardware—For Demo Board Only</b>				
1	2	J1, J2	CONN, BNC, 5-PINS	CONNEX, 112404
2	5	JP1-JP5	2MM SINGLE ROW HEADER, 2-PIN	SAMTEC, TMM-102-02-L-S
3	2	JP6, JP7	2MM SINGLE ROW HEADER, 3-PIN	SAMTEC, TMM-103-02-L-S
4	3	JP1, JP6, JP7	SHUNT	SAMTEC, 2SN-BK-G
5	10	TP1, TP4-TP9, TP12, TP14, TP15	TESTPOINT, TURRET, 0.095"	MILL-MAX, 2501-2-00-80-00-00-07-0
6	4	TP2, TP3, TP10, TP11	BANANA JACK	KEYSTONE, 575-4
7	4	STAND OFF	STAND-OFF, NYLON 0.50" TALL	KEYSTONE, 8833 (SNAP ON)

## SCHEMATIC DIAGRAM



<b>CUSTOMER NOTICE</b>		<b>CONTRACT NO.</b>	
LINEAR TECHNOLOGY HAS MADE A BEST EFFORT TO DESIGN A CIRCUIT THAT MEETS CUSTOMER-SUPPLIED SPECIFICATIONS. LINEAR TECHNOLOGY MAKES NO REPRESENTATION OR WARRANTY AS TO THE ACCURACY OF THE CIRCUIT OR THE PERFORMANCE OF THE CIRCUIT IN ANY APPLICATION. COMPONENT SUBSTITUTION AND PRINTED CIRCUIT BOARD LAYOUT MAY SIGNIFICANTLY AFFECT CIRCUIT PERFORMANCE OR RELIABILITY. CONTACT LINEAR TECHNOLOGY FOR ASSISTANCE. THIS CIRCUIT IS PROPRIETARY TO LINEAR TECHNOLOGY AND IS SUPPLIED FOR USE WITH LINEAR TECHNOLOGY PARTS.			
APPROVALS	DATE	APPROVED	TITLE
DRAWN: HELEN	2/4/08	CHECKED:	
APPROVED:		DESIGNED: JUDY S.	2/4/08
DESIGNER:		SIZE:	CAGE CODE
		SCALE:	FILE NAME:
			DC1392A
			REV: A
			SHEET: 1 OF 1



LTM4604AEV  
High Density 4A Step-Down uModule

# DEMO MANUAL DC1392A

---

## DEMONSTRATION BOARD IMPORTANT NOTICE

Linear Technology Corporation (LTC) provides the enclosed product(s) under the following **AS IS** conditions:

This demonstration board (DEMO BOARD) kit being sold or provided by Linear Technology is intended for use for **ENGINEERING DEVELOPMENT OR EVALUATION PURPOSES ONLY** and is not provided by LTC for commercial use. As such, the DEMO BOARD herein may not be complete in terms of required design-, marketing-, and/or manufacturing-related protective considerations, including but not limited to product safety measures typically found in finished commercial goods. As a prototype, this product does not fall within the scope of the European Union directive on electromagnetic compatibility and therefore may or may not meet the technical requirements of the directive, or other regulations.

If this evaluation kit does not meet the specifications recited in the DEMO BOARD manual the kit may be returned within 30 days from the date of delivery for a full refund. **THE FOREGOING WARRANTY IS THE EXCLUSIVE WARRANTY MADE BY THE SELLER TO BUYER AND IS IN LIEU OF ALL OTHER WARRANTIES, EXPRESSED, IMPLIED, OR STATUTORY, INCLUDING ANY WARRANTY OF MERCHANTABILITY OR FITNESS FOR ANY PARTICULAR PURPOSE. EXCEPT TO THE EXTENT OF THIS INDEMNITY, NEITHER PARTY SHALL BE LIABLE TO THE OTHER FOR ANY INDIRECT, SPECIAL, INCIDENTAL, OR CONSEQUENTIAL DAMAGES.**

The user assumes all responsibility and liability for proper and safe handling of the goods. Further, the user releases LTC from all claims arising from the handling or use of the goods. Due to the open construction of the product, it is the user's responsibility to take any and all appropriate precautions with regard to electrostatic discharge. Also be aware that the products herein may not be regulatory compliant or agency certified (FCC, UL, CE, etc.).

No License is granted under any patent right or other intellectual property whatsoever. **LTC assumes no liability for applications assistance, customer product design, software performance, or infringement of patents or any other intellectual property rights of any kind.**

LTC currently services a variety of customers for products around the world, and therefore this transaction **is not exclusive**.

**Please read the DEMO BOARD manual prior to handling the product.** Persons handling this product must have electronics training and observe good laboratory practice standards. **Common sense is encouraged.**

This notice contains important safety information about temperatures and voltages. For further safety concerns, please contact a LTC application engineer.

Mailing Address:

Linear Technology  
1630 McCarthy Blvd.  
Milpitas, CA 95035

Copyright © 2004, Linear Technology Corporation