

RG130/0800-3612

EC centrifugal fan

single inlet

with housing (flange), Gas blower for gas-condensing heating



ebm-papst Landshut GmbH

Hofmark-Aich-Straße 25

D-84030 Landshut

Phone: +49(0)871/707-0

Fax: +49(0)871/707-465

info3@de.ebmpapst.com

www.ebmpapst.com

Nominal data

| | | |
|-----------------|-------------------|------|
| Type | RG130/0800-3612 | |
| Nominal voltage | VDC | 24 |
| Speed | min ⁻¹ | 7200 |
| Power input | W | 40 |
| Air flow | m ³ /h | 110 |
| Back pressure | Pa | 1900 |

ml = max. load · me = max. efficiency · rfa = running at free air · cs = customer specs · cu = customer unit
Subject to alterations

Technical features

| | |
|-------------------|--|
| Connection line | A and C |
| Design | Vibration-free motor mount |
| Mounting position | To be specified for corresponding support elements |
| Bearing | Ball bearings |
| Mass | 1.4 kg |
| Housing material | Die-cast aluminum |

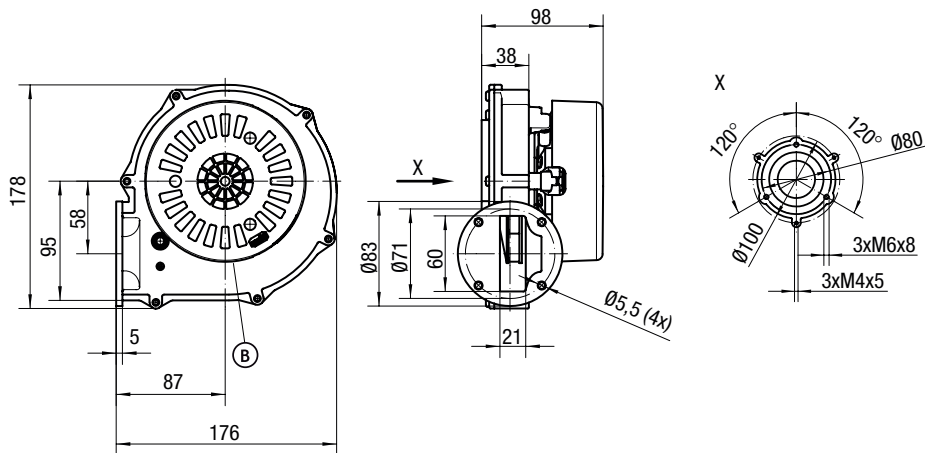
RG130/0800-3612

EC centrifugal fan

single inlet

with housing (flange), Gas blower for gas-condensing heating

Product drawing

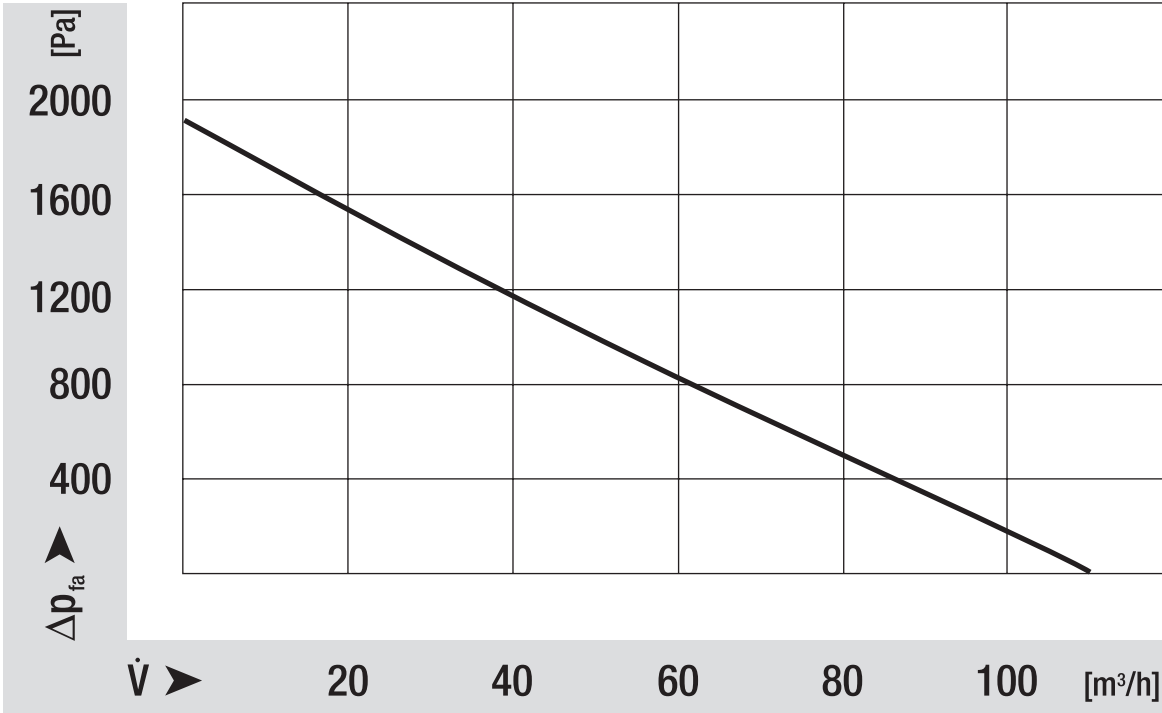


EC centrifugal fan

single inlet

with housing (flange), Gas blower for gas-condensing heating

Charts: Air flow



EC centrifugal fan

single inlet

with housing (flange), Gas blower for gas-condensing heating

Charts: Speed

