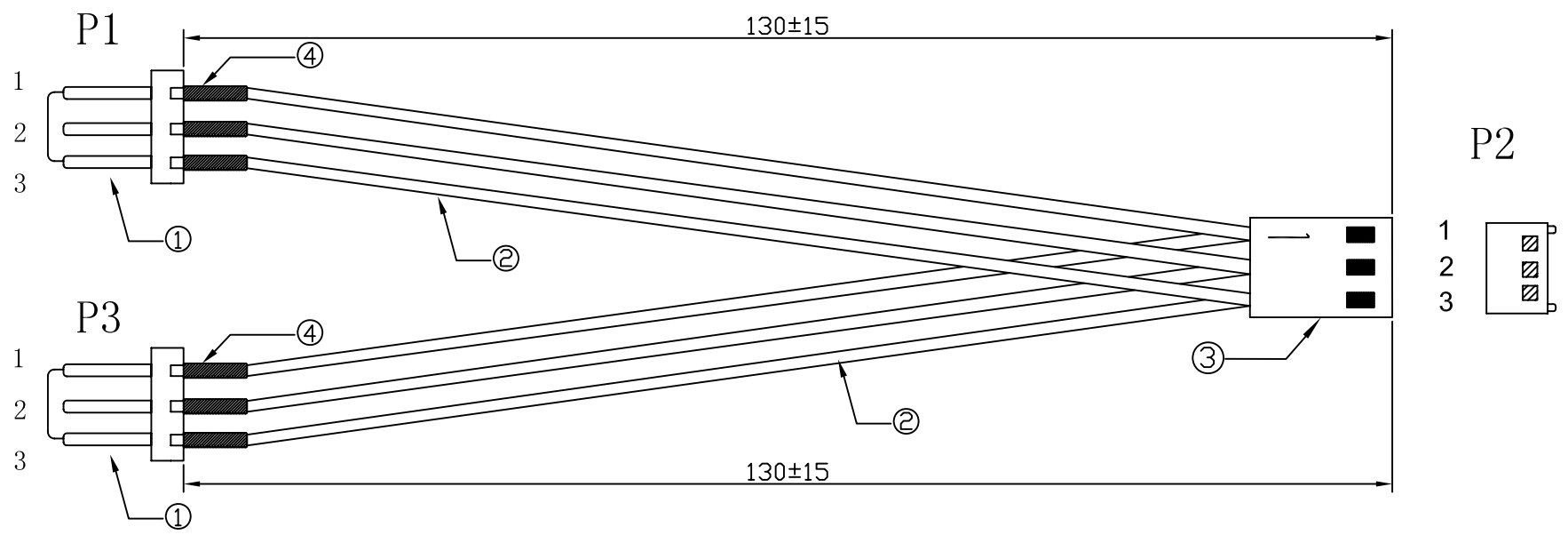


CUSTOMER	farnell
PRODUCT NO.	2056740



NOTE:

- (1).Cable Spec: 24AWG Electronic wire
Jacket Material:PVC OD:1.5±0.2mm
Cable Colour: red black yellow
- (2).Connector :
- (3).Over Mold: Brown-red plastic shell
- (4).100% OPEN, SHORT & MISWIRE TEST;
- (5).ALL MATERIALS MUST BE IN LINE WITH RoHS.
- (6).Packing: POLYBAG Packing

P1	P2	P3
1 <u>black</u>	1 <u>black</u>	1
2 <u>red</u>	2 <u>red</u>	2
3 <u>yellow</u>	3 <u>yellow</u>	3

PIN OUT: (4)

GENERAL TOLERANCES (UNLESS SPECIFIED)	Hentek WE CARE FOR CONNECTION		NINGBO HENTEK ELECTRONICS CO., LTD			
			Tel:86-574-27850905 Fax:86-574-27850906 E-mail:sales@hentek.cn			
LENGTH: X. ±1 . X±0.2 . XX±0.10 ANGLE: X° . ±1° . X° ±0° 30'	UNIT:mm	REV:0/A			NAME	2510-3PF-2M L:130MM
	DRAWING	HNS	2012/08/15	S. P. NO.	HT-4417	
	CHECK			P. O. NO.		DWG. NO.
	APPROVE			SIZE		PAGE

0		2012/08/15
REV	DESCRIPTION	DATE