

Voltech CT1000 Current Transformer

For 100A : 1A and 1000A : 1A AC Current Measurements



The Voltech CT1000 is a toroidally wound AC current transformer that extends the range of Voltech power analyzers such as the PM100, PM300 or PM3000A to 1200A rms. Close-tolerance current ratios provide a measurement accuracy of better than 0.2%, making the CT1000 suitable for precision-grade measurements.

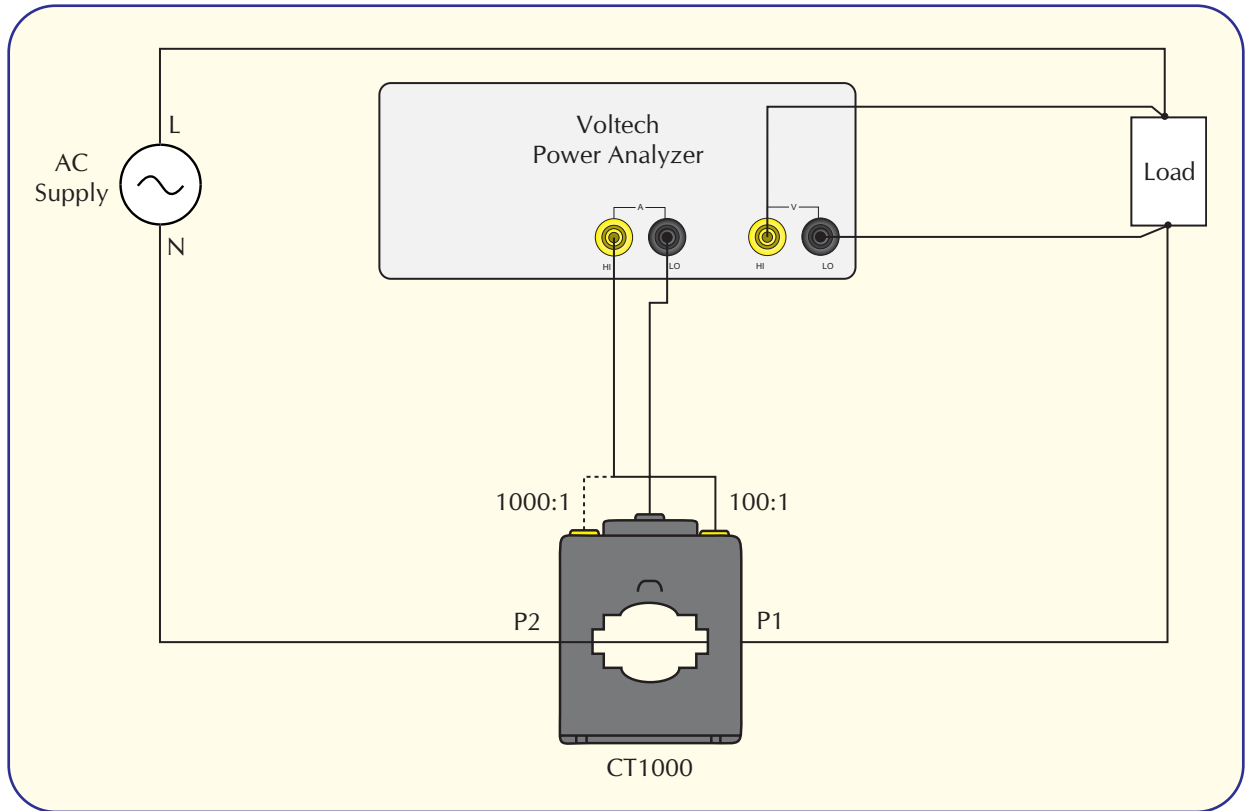
The CT1000 is housed in a fully insulated, shock-resistant casing with a core aperture that accommodates large-diameter cables or rectangular busbars. To minimize the risk of electrical shock, the CT1000 has 4mm safety sockets for the leads connecting it to the power analyzer. In addition, a novel over-voltage protection circuit limits the voltage on the output terminals to 50V peak, if the transformer's secondary winding is inadvertently open-circuited.

Specification

Frequency Range:	45Hz to 1kHz
Current Range:	100:1 ratio 10A to 120A rms 1000:1 ratio 100A to 1200A rms
Maximum Input Current:	1000A continuous 2000A for 1 hour
Accuracy (23°C ± 5°C):	±0.2% of specified ratio
Phase Error (23°C ± 5°C):	Better than ±0.1° at 50Hz
Maximum Burden:	0.15VA for specified accuracy (equivalent to the input of any Voltech power analyzer plus the test leads provided)
Dielectric Strength:	4kV at 50Hz for 1 minute
Temperature Range:	Operating: -10°C to +50°C Storage: -25°C to +85°C

CT1000 Current Transformer

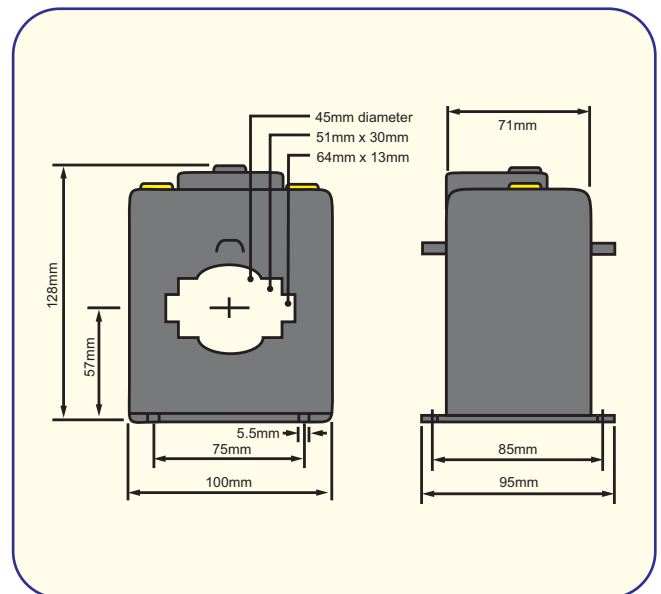
For 100A : 1A and 1000A : 1A AC Current Measurements



Operation

- Connect the CT1000 to your power analyzer as shown in the diagram above.
- For primary circuit currents between 10A rms and 120A rms, use the output sockets on the CT1000 marked 100:1.
- For primary circuit currents between 100A rms and 1200A rms, use the sockets marked 1000:1.

When the CT1000 is used with a Voltech power analyzer, the analyzer's scaling function can be used to automatically scale the measurements by a factor of 100 or 1000, as appropriate.



CT1000 Current Transformer

Voltech Instruments Ltd.

148 Sixth Street, Harwell International Business Centre
Harwell, Didcot, Oxon, OX11 0RA, UK
Tel: +44 (0)1235 834555
Fax: +44 (0)1235 835016
E-mail: sales@voltech.co.uk

Voltech Instruments Inc.

11637 Kelly Road, Suite 306
Fort Myers, FL 33908, USA
Tel: +1 239 437 0494
Fax: +1 239 437 3841
E-mail: sales@voltech.com

Voltech
www.voltech.com

While every care has been taken in compiling the information for this publication, Voltech Instruments cannot accept legal liability for any inaccuracies. Voltech Instruments has an intensive program of design and development that may alter product specifications. Voltech Instruments reserves the right to alter specifications without notice and whenever necessary to ensure optimum performance from its product range. No part of this publication may be reproduced, stored in a retrieval system, or transmitted in any form, or by any means, electronic, mechanical, photocopying, recording or otherwise, without prior permission of Voltech Instruments.

