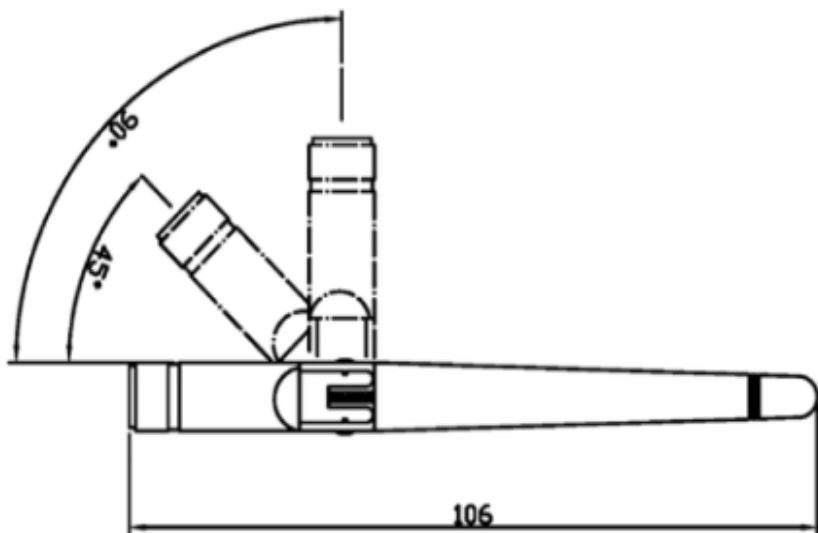




2.4G DIPOLE 2DBI ANTENNA FOR SMA MALE REVERSE POLARITY

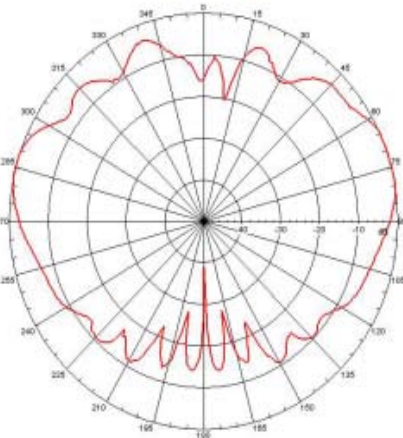
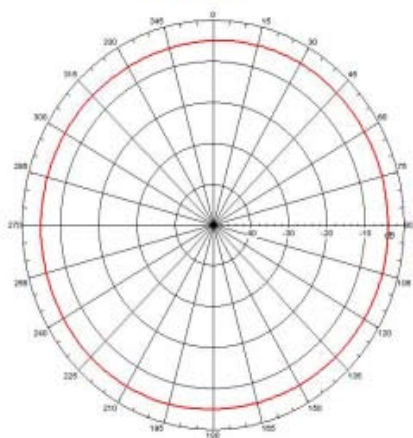
Part Number: LM251

| | |
|----------------|---------------------------|
| Type: | Dipole |
| Frequency: | 2400~2500MHz |
| Gain: | 2Dbi |
| Polarization: | Linear Vertical |
| SWR: | ≤1.5:1 |
| Impedance: | 50 Ω |
| Base | |
| Connector: | SMA Male Reverse Polarity |
| Weight: | 13g |
| Size: | H 105mm × W 10mm × D 10mm |
| Certification: | RoHS |



H-PLANE

E-PLANE



Contact



Birmingham Office

LM Technologies Ltd
 Unit 10 Caroline Point
 62 Caroline Street
 Birmingham
 B3 1UF, UK.

Tel : 0121 200 1375
 Fax: 0870 112 7636

London Office

LM Technologies Ltd
 Unit 19 Spectrum House
 32-34 Gordon House Road
 London
 NW5 1LP, UK.

Tel : 0207 428 2647
 Fax: 0870 112 7636



2.4G DIPOLE 2DBI ANTENNA FOR SMA MALE REVERSE POLARITY

Part Number: LM251

