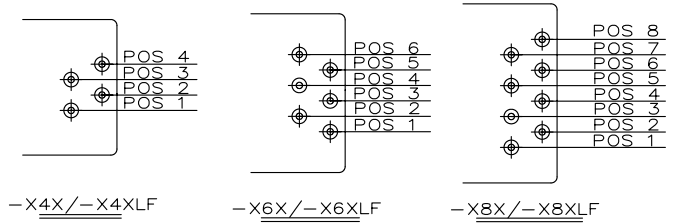
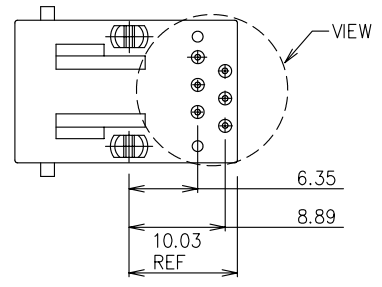
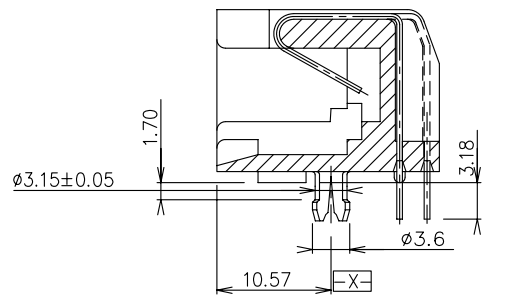
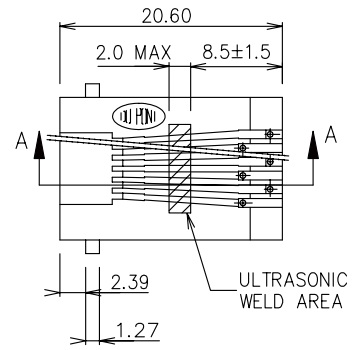
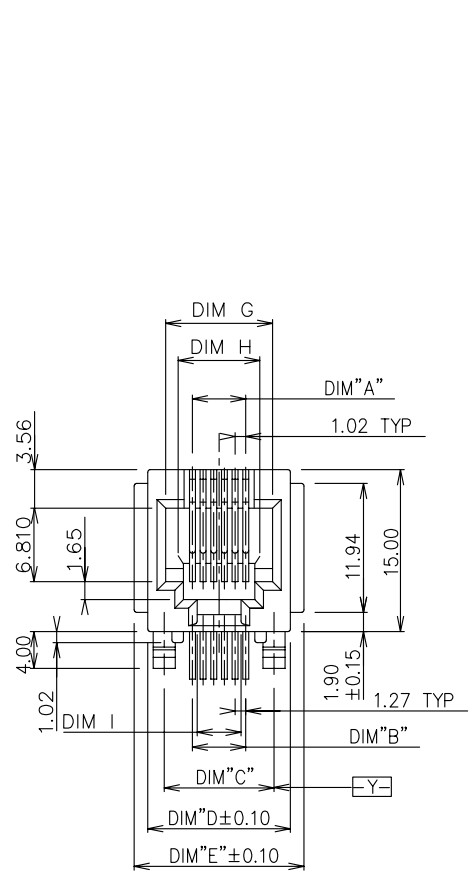


Tous droits strictement réservés. Reproduction ou communication a des tiers int
 sous quelque forme que ce soit sans autorisation écrite du propriétaire.
 Property of c BERG ELECTRONICS.
 Droits de reproduction BERG ELECTRONICS by
 Copyright BERG ELECTRONICS by



- NOTES:
1. RECOMMENDED P.C.B. THICKNESS 1.60 MM.
 2. HOUSING MATERIAL: ZYTEL FR50, COLOR: SEE TABLE.
 3. CONTACTS: PHOS BRONZE ALLOY UNS-C51000, 0.460 DIA. ROUND WIRE. PLATING SEE TABLE.
 4. PACKAGE PER BUS-14-164. (TUBE PACKAGING) WHEN PART NUMBER IS 88400-XXXT/-XXXTLF, APPLY PACKAGING SPEC. GES-14-351 (TRAY PACKAGING).
 5. THE PRODUCT MEETS EUROPEAN UNION DIRECTIVES AND OTHER COUNTRY REGULATIONS AS DESCRIBED IN GS-22-008.
 6. THE HOUSING WILL WITHSTAND EXPOSURE TO 260°C PEAK TEMPERATURE FOR 10 SECONDS IN A WAVE SOLDER APPLICATION WITH A 1.60mm MINIMUM THICK CIRCUIT BOARD.
 7. IF LF P/N PACKAGING MEETS GS-14-920 SPECIFICATION.

mat'l code				tolerance unless otherwise specified		CUSTOMER COPY			
rev.	ecn no.	dr	date	linear	.0 ± 0.25	projection	title		
K	T90139	M W	04/06/99		.00 ± 0.13		SNAP-IN MODULAR JACK ASS'Y	product family	
L	N05-0019	YS	01/27/05	angles	.000 ± 0.05		unit	size	dwg no.
					± 2'	rmm/inch	A3	88400	TWN
				dr	KCHOU	04/26/92	scale		sheet
				enr	TONY CHIEN	04/26/92	2/1		1 OF 2
				chr	TONY CHIEN	04/26/92			
				appd	JENN TSAO	04/26/92			
sheet	revision	L	L						
index	sheet	1	2						

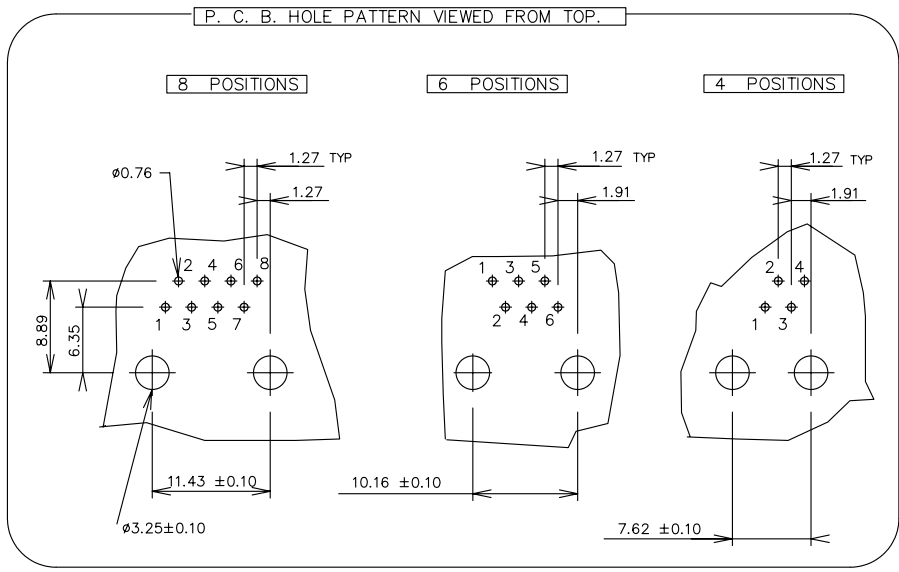
Tous droits strictement réservés. Reproduction ou communication a des tiers int
 sous quelque forme que ce soit sans autorisation écrite du propriétaire.
 Property of c BERG ELECTRONICS.
 Droits de reproduction BERG ELECTRONICS by

All rights strictly reserved. Reproduction or issue to third parties in any for
 whatever is not permitted without written authority from the proprietor.
 Property of c BERG ELECTRONICS.
 Copyright BERG ELECTRONICS by



DIM.	NO OF POS	DIM A	DIM B	DIM C	DIM D	DIM E	DIM G	DIM H	DIM I	LOADED POS	REMARK
88400-X44/-X44LF	4	3.05	3.81	7.62	11.20	13.72	7.87	5.50	3.05	ALL POS	
88400-X42/-X42LF										2,3	
88400-X66/-X66LF	6	5.08	6.35	10.16	13.20	15.72	9.906	6.60	4.06	ALL POS	
88400-X64/-X64LF										2,3,4,5	
88400-X62/-X62LF										3,4	
88400-X88/-X88LF	8	7.11	8.89	11.43	15.24	17.76				ALL POS	NOT AVAILABLE
88400-X86/-X86LF										2,3,4,5,6,7	
88400-X84/-X84LF										3,4,5,6	

PLATING & HSG COLOR CODE	PLATING	HSG COLOR
0	30u " G.X.T.	BLACK
1	15u " GOLD.	
2	20u " GFPD.	
3	30u " GOLD.	
4	15u " G.X.T.	
5	50u " GOLD.	
6	6u " GOLD.	
7	2u " GOLD.	



mat'l code				tolerance unless otherwise specified		CUSTOMER COPY		BERG ELECTRONICS	
rev.	ecn no.	dr	date	linear	.0 \pm 0.25	projection	title		
L				angles	.00 \pm 0.13		SNAP-IN MODULAR JACK ASS'Y		
					.000 \pm 0.05			product family	
				dr	KCHOU 04/26/92	unit	product family		code
				enr	TONY CHIEN 04/26/92	size	product family		code
				chr	TONY CHIEN 04/26/92	scale	product family		code
				appd	JENN TSAO 04/26/92	2/1	product family		code
sheet	revision						product family		code
index	sheet						product family		code