

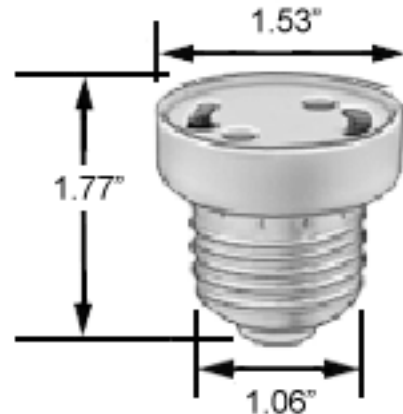
Wamco P/N	Base Type	Type
WL-ADAPTER E26-GU24	MED (E26)	Socket Adapter

MOL	MOD	Ratings	Approvals
1.77"	1.53"	600V 660W	UL/cUL Listed, File No. E302823

**Dimensional Characteristics:**

Notes:

1. Permanently converts any medium base (E26) socket to a GU24 socket.
2. May be used with Wamco LED Downlights when retrofitting existing medium base fixtures.
3. Retrofitting your fixtures with these GU24 socket adapters may qualify for utility rebates. Check with your energy provider for more information.
4. RoHS Compliant



			<b>Title:</b>  <b>E26 to GU24 Socket Adapter</b>
<b>Revised</b>	09/12/12	EB	
<b>Drawn</b>	09/04/12	LE	<b>Notes:</b> Unless otherwise specified, all dimensions are in inches.
<b>Checked</b>	09/04/12	EB	
<b>Approved</b>	09/05/12	EB	
			<b>Rev:</b> 2