

Universal Flat Screen Wall Mount with Tilt

For more information please visit www.btechavmounts.com/BT8432

BT8432

Registered Design Number: 001713280-0036



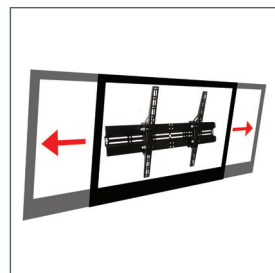
BT8432 Universal Flat Screen Wall Mount with Tilt

Designed for extra large screens up to 65" (165cm) / 70kg (154lbs)

- Fits screens with mounting patterns up to H: 825mm (32.5") x V: 500mm (19.7") including VESA® fixings up to 800 x 500mm
- Simple tilt adjustment +/-15°
- Mounts screen only 80mm (3.1") from wall
- Unique 'Torsion Tilt' mechanism*
- Locking bars included for secure installation
- Features 'OWLS'™ On Wall Levelling System
- Suitable for concrete / brick or up to 32" stud walls
- Security locking screws, Allen key and locking bar provided for secure installation
- Simple 'hook-on' installation with all mounting hardware included
- Available in Black



Unique 'Torsion Tilt' mechanism*
*Patent Pending



Post installation screen alignment



Security locking bar
(Padlock not included)



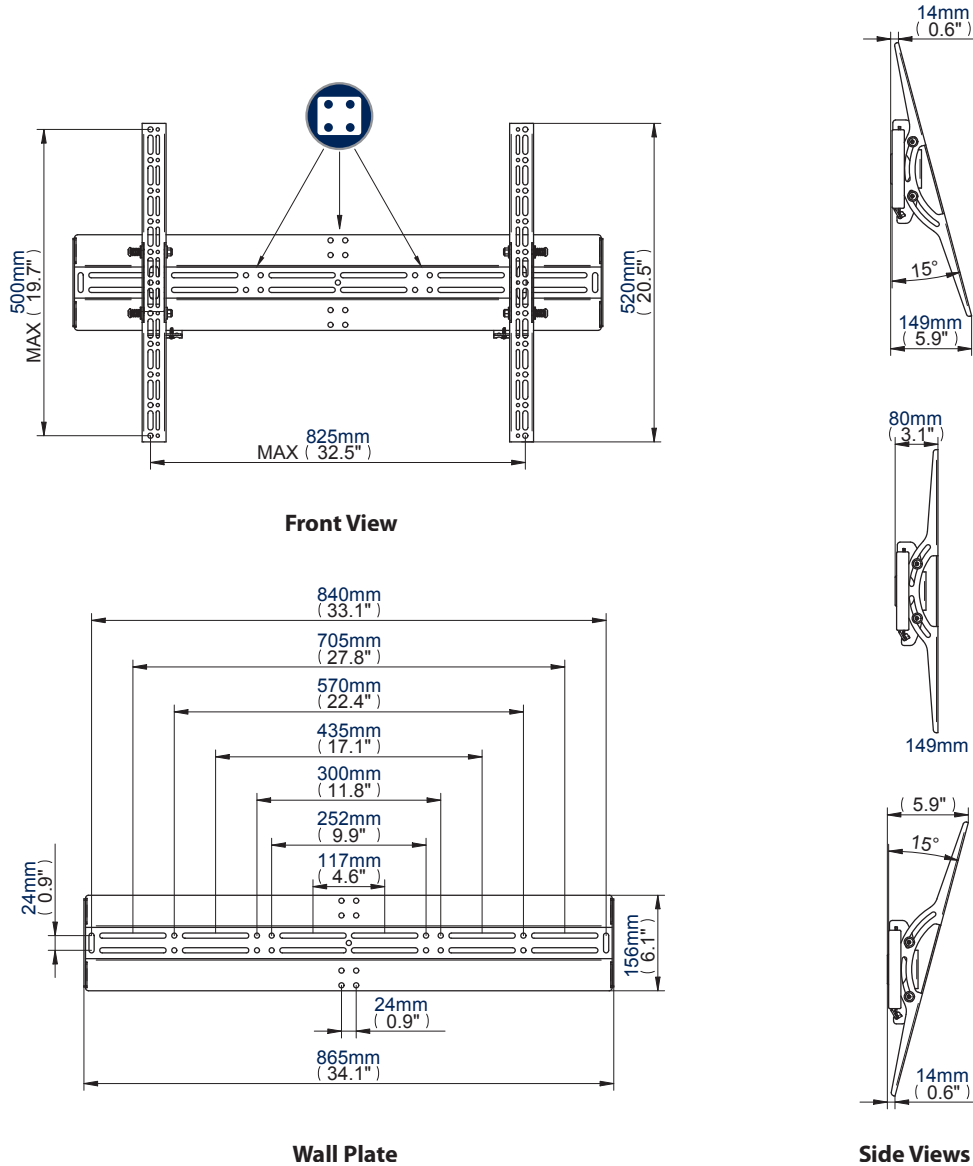
Comprehensive screen mounting kit

Universal Flat Screen Wall Mount with Tilt For Extra Large Screens

For more information please visit www.btechavmounts.com/BT8432

BT8432

Registered Design Number: 001713280-0036



Colour:	Order Ref:	EAN Code:	Master Carton Qty:	Inner Carton Qty:	Master Carton Weight:	Master Carton Cube:
Black	BT8432/B	5019318084294	2	0	13.1 kg (28.82lbs)	0.046cbm (1.63cuft)

**This information is intended as a guide only and reflects the current specification at the time of print.
B-Tech accepts no liability for the accuracy of the information contained in this document.**