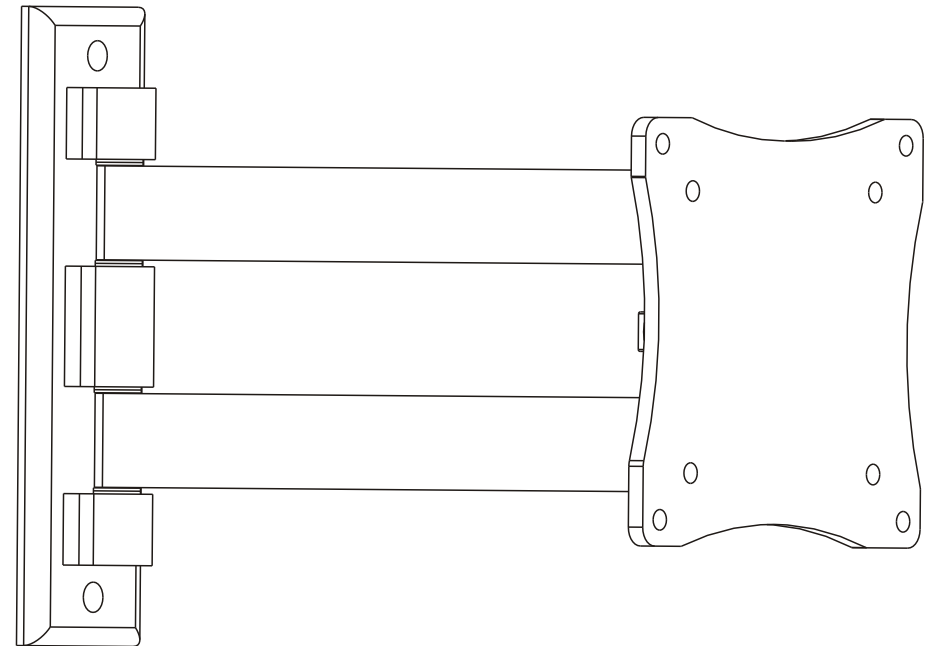


# PRO-SIGNAL

## INSTALLATION INSTRUCTIONS



### LCD Wall Mount



**CAUTION: DO NOT EXCEED MAXIMUM LISTED WEIGHT CAPACITY. SERIOUS INJURY OR PROPERTY DAMAGE MAY OCCUR!**



75x75  
100x100



ISSUED: JULY. 2012

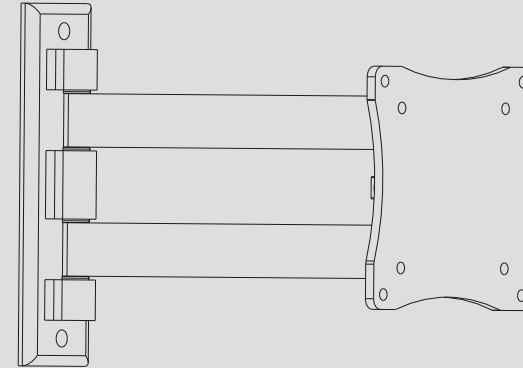
**NOTE:** Read the entire instruction manual before you start installation and assembly.

## **WARNING**

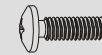
- Do not begin the installation until you have read and understood the instructions and warnings contained in this installation sheet. If you have any questions regarding any of the instruction or warning, please contact your local distributor.
- This mounting bracket was designed to be installed and utilized **ONLY** as specified in this manual. Improper installation of this product may cause damage or serious injury.
- This product should only be installed by someone of good mechanical ability, with basic building experiences and fully understanding of this manual.
- Make sure that the supporting surface will safely support the combined load of the equipment and all attached hardware and components.
- If mounting to wood wall studs, make sure that mounting screws are anchored into the center of the studs. Use of a stud finder is highly recommended.
- Always use an assistant or mechanical lifting equipment to safely lift and position equipment.
- Tighten screws firmly, but do not over tighten. Over tightening can damage the items, greatly reducing their holding power.
- This product intended for indoor use only. Using this product outdoors could lead to product failure and personal injury.

## **Component Checklist**

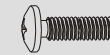
**IMPORTANT:** Ensure that you have received all parts according to the component checklist prior to installing. If any parts are missing or faulty, telephone your local distributor for a replacement.



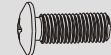
### **Package M**



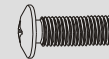
M4x10 (x4)  
M-A



M4x14 (x4)  
M-B



M5x10(x4)  
M-C



M5x14 (x4)  
M-D



5mm Allen key (x1)  
M-E

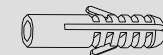


6mm Allen key (x1)  
M-F

### **Package W**

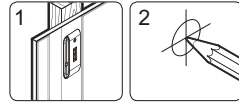
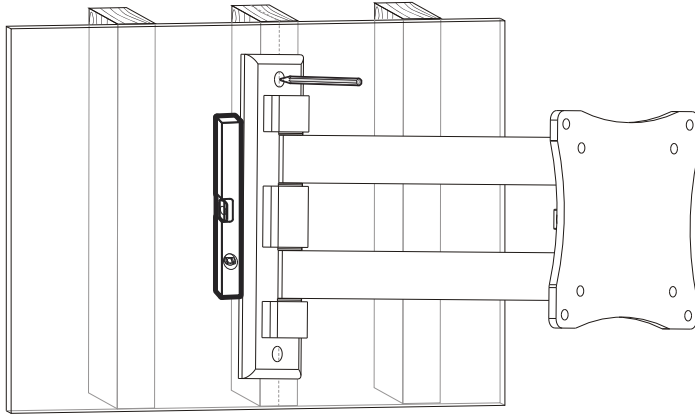
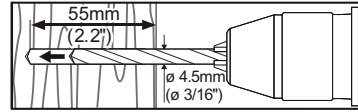
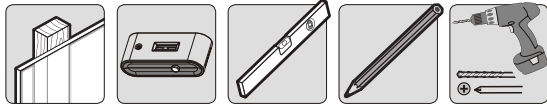


ST5.5x50 (x2)  
W-A

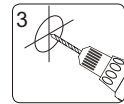


concrete anchor (x2)  
W-B

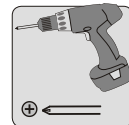
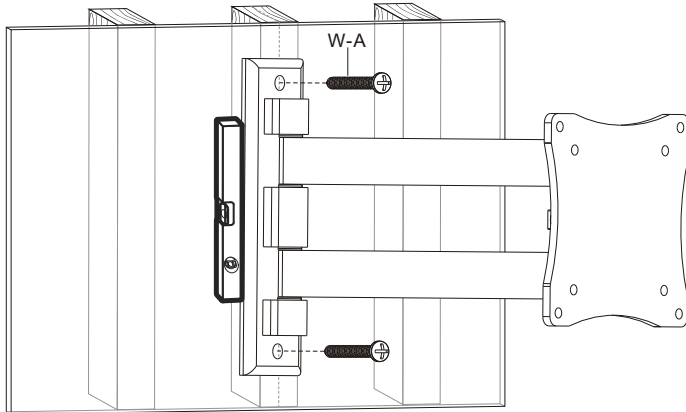
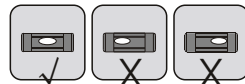
## 1a. Mount on Wood Stud Wall



1 Find and mark the exact location of mounting holes



3 Drill pilot holes

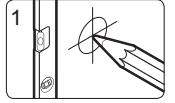
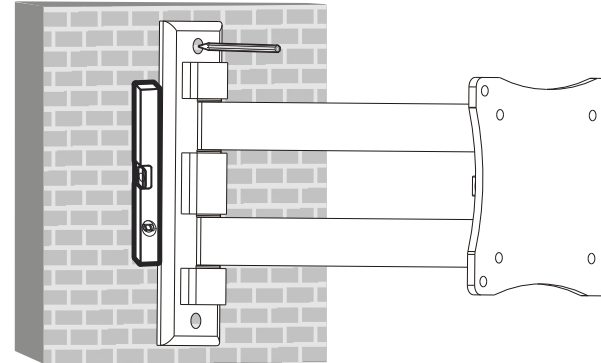
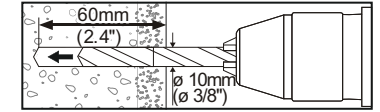
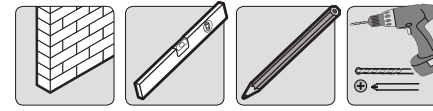


Screw the wall mount onto the wall

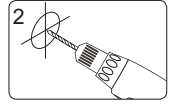
### ! WARNING

- Make sure that mounting screws are anchored into the center of the studs. Use of a stud finder is highly recommended.
- Installers are responsible to provide hardware for other types of mounting situations.
- Installers must verify that the supporting surface will safely support the combined load of the equipment and all attached hardware and components.

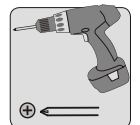
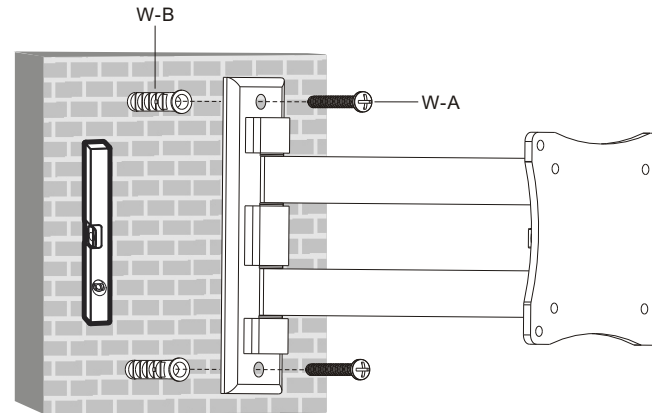
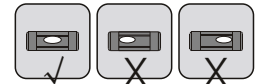
## 1b. Mount on Solid Brick and Concrete Block



1 Mark the exact location of mounting holes



2 Drill pilot holes

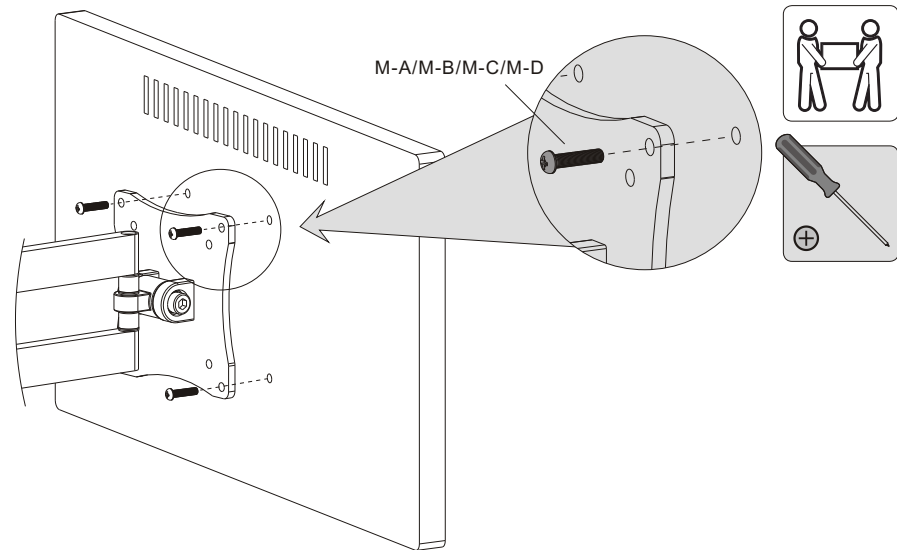


Screw the wall mount onto the wall

### ! WARNING

- When installing wall mounts on cinder block, verify the actual concrete thickness is at least 1-3/8" (35mm) for using the concrete anchors. Do not drill into mortar joints! Be sure to mount in a solid part of the block, generally 1" (25mm) minimum from the side of the block. It is suggested electric drill on slow setting is used to drill the hole instead of a hammer drill to avoid breaking out the back of the hole when entering a void or cavity.
- Installers must verify that the supporting surface will safely support the combined load of the equipment and all attached hardware and components.

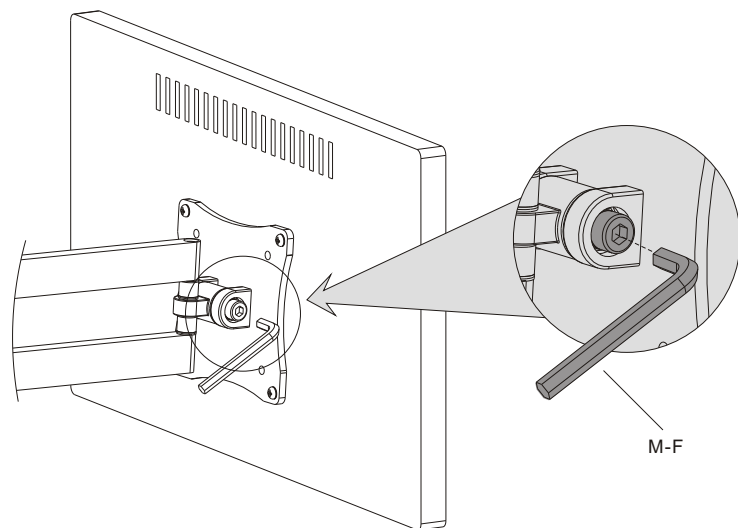
## 2. Attach the TV to the VESA Plate



Install TV to VESA plate using the proper screw, hand thread through VESA plate into screen, level TV and tighten all screws.

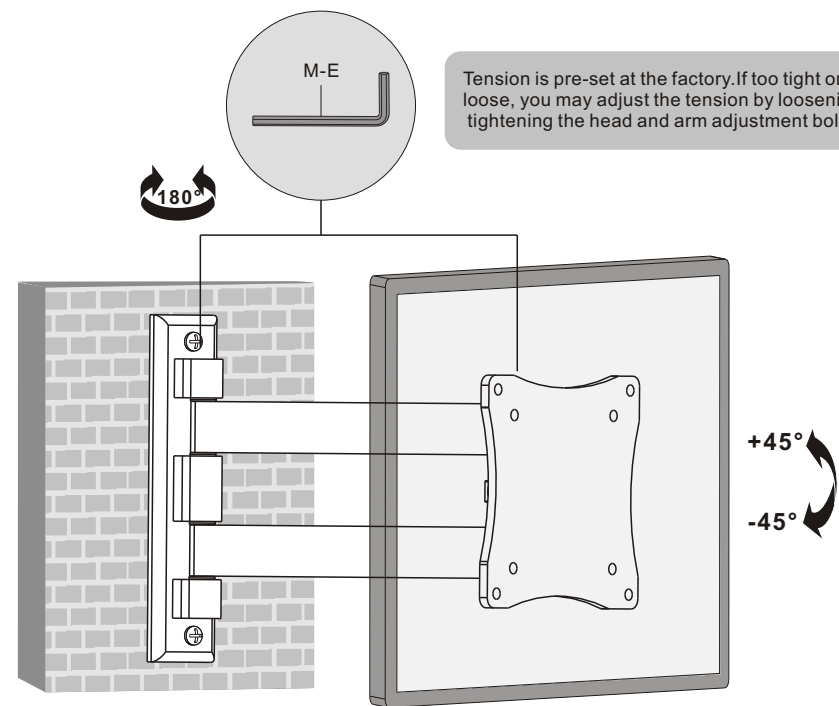
**⚠** Tighten all screws but do not over tighten.

## 3. Adjustment



Tighten the adjustment screw by using an Allen key provided to fix the tilting angle.

## Adjustment and Tilt



Tension is pre-set at the factory. If too tight or too loose, you may adjust the tension by loosening or tightening the head and arm adjustment bolts.

Adjust to desired location or tilt.

**Maintenance**

- Check that the bracket is secure and safe to use at regular intervals (at least every three months).
- Please contact your dealer if you have any questions.