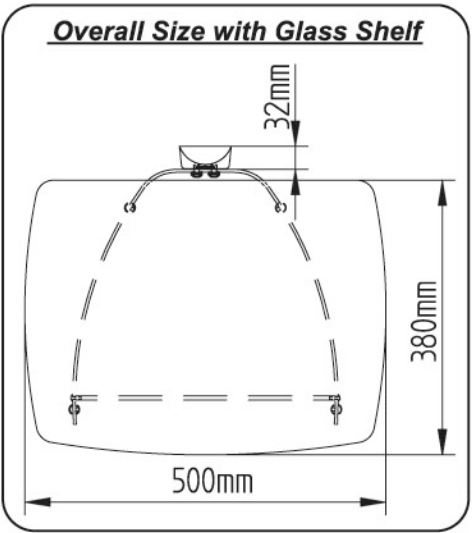


LARGE AV COMPONENT GLASS SHELF

ASSEMBLY AND INSTALLATION

Overall Size with Glass Shelf



The BT7088 can be used as a stand-alone wall mount.

or

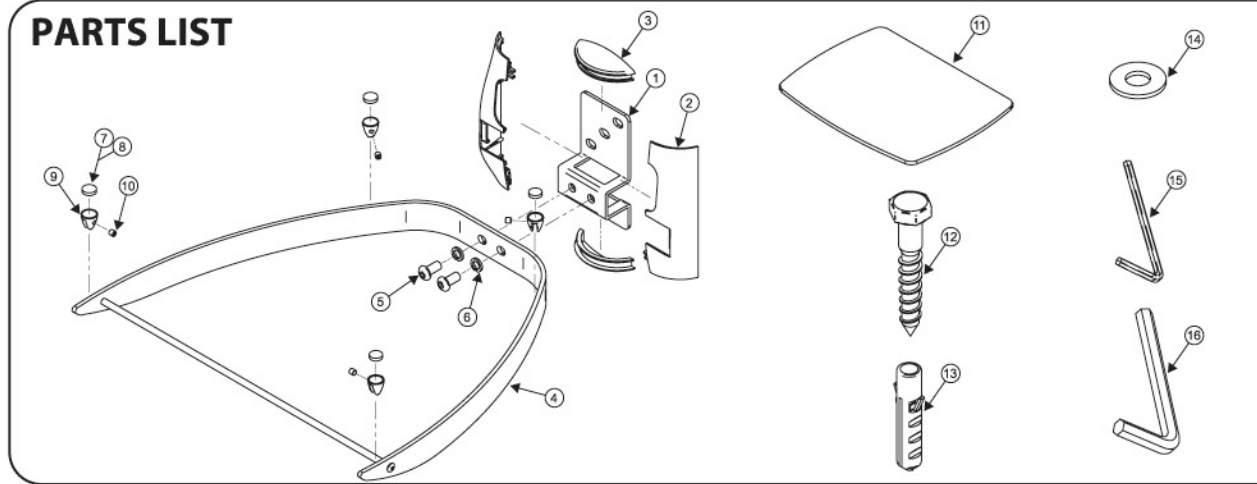


BT7070 cable management is sold separately.

The BT7088 can be used in conjunction with the BT7070 cable management system.

IMPORTANT
Do not exceed maximum weight limit of 10Kg (22lbs) per shelf.

PARTS LIST



No	PART NAME	QTY
1	WALL PLATE	1
2	WALL PLATE COVER HALF	2
3	END CAP (OPTIONAL)	2
4	COMPONENT SHELF	1
5	M8 X 16.5 ALLEN SCREW	2
6	M8 SPRING WASHER (FOR PART 5)	2
7	DOUBLE-SIDED STICK-ON PAD	4
8	ONE-SIDED STICK-ON PAD	4

No	PART NAME	QTY
9	SUPPORTING FOOT	4
10	M5 X 6 GRUB SCREW	4
11	GLASS SHELF	1
12	M8 X 50 COACH SCREW	4
13	No 10 WALL PLUG (FOR PART 12)	4
14	M8 OD19 T1.6 WASHER (FOR PART 12)	4
15	2.5mm ALLEN KEY (FOR PART 10)	1
16	5mm ALLEN KEY (FOR PART 5)	1

Important Safety Instructions:

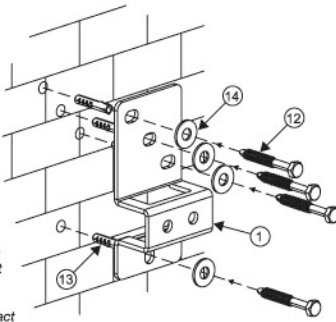
Do not install this product until the instructions and warnings have been read and understood thoroughly.
Please keep these instructions for future reference.

B-Tech International Ltd recommends that this product should be installed by a professional. If you do not understand the instructions, or are not sure how to install this product, please contact a professional for advice and / or to install this mount. Failure to mount this shelf correctly may lead to serious injury and / or death. Please pay careful attention to where this mount is located. Some walls are not suitable for installation. If you install this mount on drywall it must be anchored into a wood stud, concrete block or brick behind the drywall. It is not suitable for securing to steel studs or weak concrete / brick. Installing on drywall alone will not support the weight of a flat panel screen. Ensure sufficient space and safety distance is allowed when installing this product. If installing in a public area, or over the likely path of pedestrians, this product should be mounted as far as possible from the public / pedestrians. When drilling holes it is particularly important to take care of electrical cables, water or gas pipes in the wall. It is important that all fixing screws supplied are used. If the fixing screws included are not sufficient for the wall you are mounting this product on, please consult your local hardware store. The device placed must weigh no more than the recommended weight of 10kg (22lbs). This mount must be mounted on a wall horizontally. Proper attention should be paid when laying the connecting cables so that they do not cause a hazard. It is recommended that periodic inspections are made of the mount to ensure that there is no change to the fixings or mount. When cleaning the mount, use dry cloth only. B-Tech International Limited, its distributors and dealers are not liable or responsible for damage or injury caused by improper installation, improper use or failure to observe these safety instructions. In such cases any guarantee will expire.

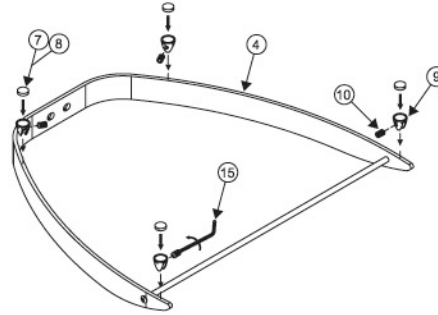
1 Choose location for component shelf wall mount.

Depending on the wall (concrete / wood stud etc.), it is necessary to drill suitable sized plug / pilot-holes beforehand. Put the wall plate (**part 1**) against the wall, mark through the desired centre positions of the holes to be drilled. Mount the wall plate on the wall using coach screws (**part 12**) and washers (**part 14**). The bracket should be mounted to a stud (a "stud locator" will help) or to a concrete / brick wall, if the location is a concrete / brick wall, then it will be necessary to use the provided wall plugs (**part 13**).

Please pay careful attention to where this mount is located. Some walls are not suitable for installation. If you install this wall mount on drywall it must be anchored into a wood stud, concrete block or brick behind the drywall. Installing on drywall alone will not support the weight of AV equipment. When drilling holes it is particularly important to avoid contact with electrical cables, water or gas pipes in the wall. It is important that all mounting screws supplied are used.

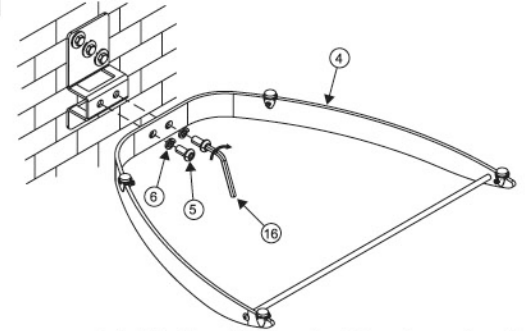


2 Attach the supporting feet to shelf.



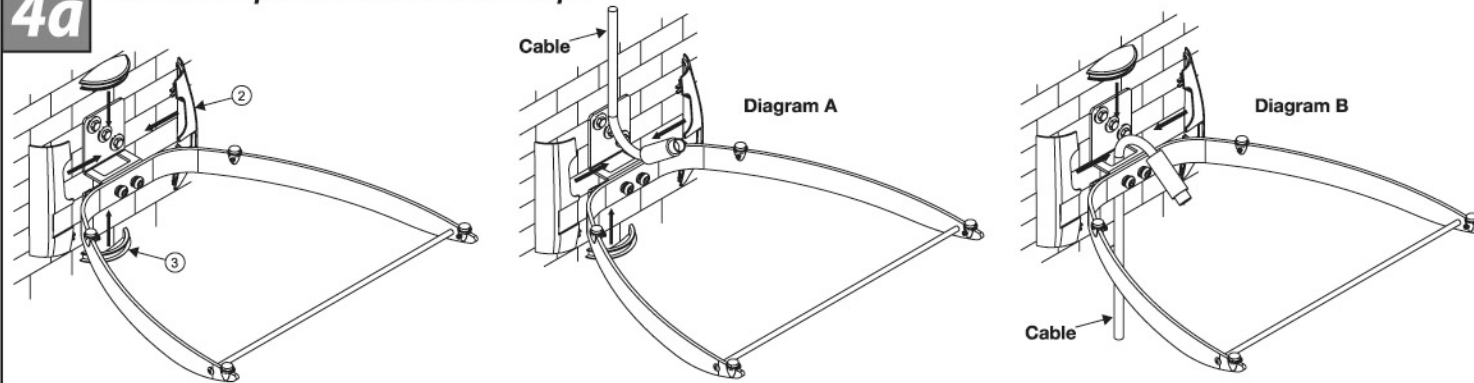
Apply the stick-on pads (**part 7 or part 8**) on the supporting feet (**part 9**). Position the feet at appropriate distances apart to best support the glass shelf, fasten the grub screw (**part 10**) using allen key (**part 15**).

3 Mount the shelf to the wall plate.



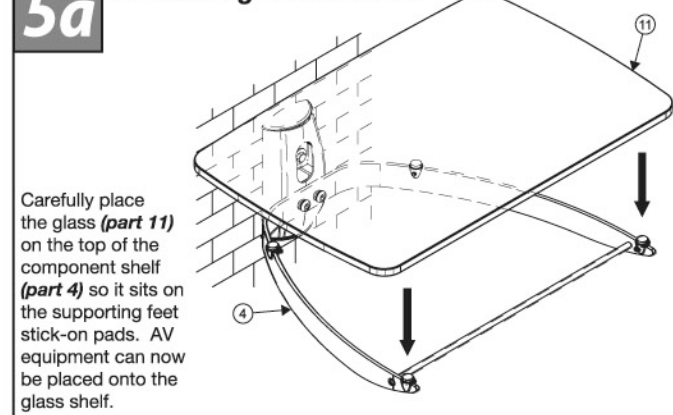
Fasten the component shelf to the wall plate using M8 spring washers (**part 6**), M8 allen screws (**part 5**) and allen key (**part 16**).

4a Attach wall plate covers and end caps.



Attach wall plate covers (**part 2**) and end caps (**part 3**) to wall plate. *It is an option to install the mount without end cap for cable management (Diagram A and Diagram B).*

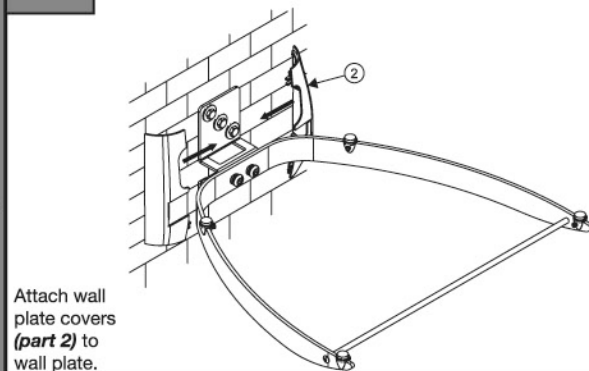
5a Place the glass on shelf.



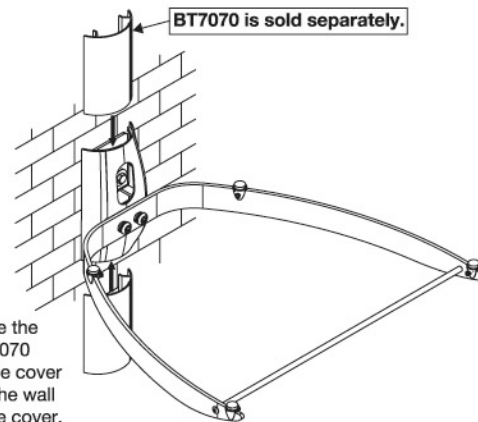
Carefully place the glass (**part 11**) on the top of the component shelf (**part 4**) so it sits on the supporting feet stick-on pads. AV equipment can now be placed onto the glass shelf.

4b Attach wall plate covers and cable management.

BT7088 is compatible with BT7070 cable management system

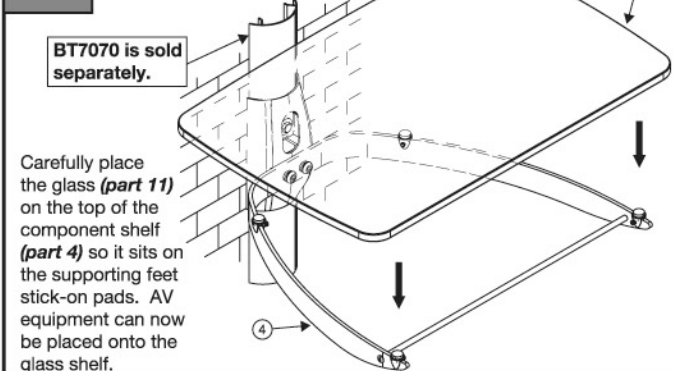


Attach wall plate covers (**part 2**) to wall plate.



Slide the BT7070 cable cover on the wall plate cover.

5b Place the glass on shelf.



Carefully place the glass (**part 11**) on the top of the component shelf (**part 4**) so it sits on the supporting feet stick-on pads. AV equipment can now be placed onto the glass shelf.