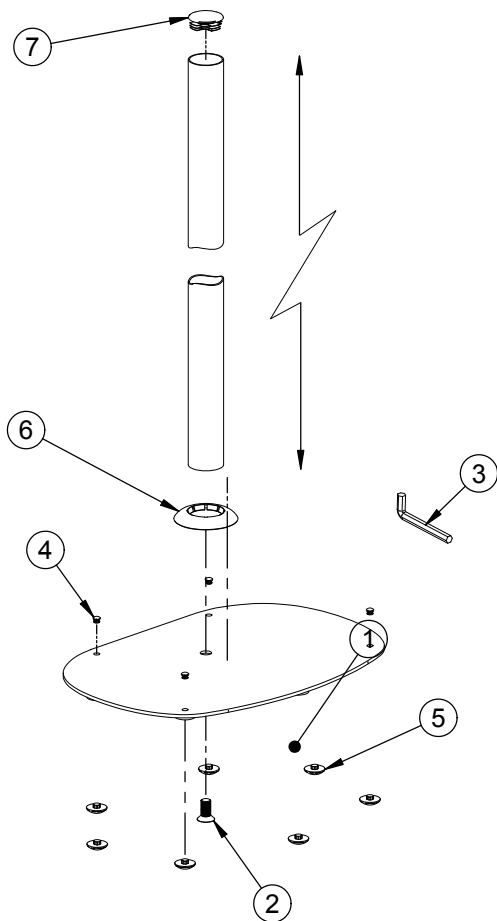




# BT4000 SMALL FLOOR STAND



## PARTS LIST

No	PART NAME	QTY
1	SMALL BASE	1
2	M16 X 50 CSK BOLT	1
3	10MM ALLEN KEY	1
4	PLASTIC HOLE CAP	4
5	OPTIONAL RUBBER FOOT	7
6	OPTIONAL TRIM RING	1
7	POLE END CAP	1

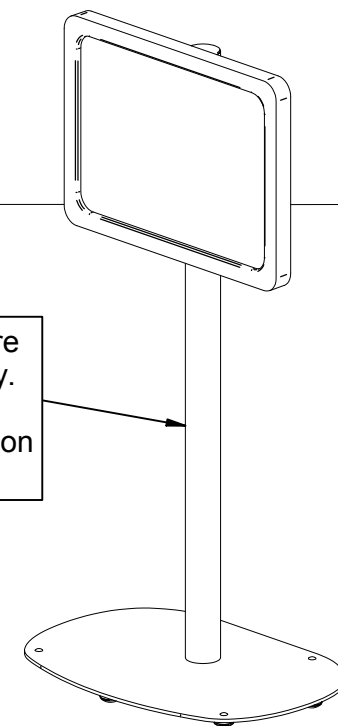
## POLE SELECTION

BASE SIZE	PART No	POLE LENGTHS			
		0.5M	1.1M	1.5M	2.0M
SMALL	BT4000	✓	✓	⚙	⚙
MEDIUM	BT4001	✓	✓	✓	⚙
LARGE	BT4002	✓	✓	✓	✓

60mm poles are sold separately.  
See pole selection table below.

PLEASE KEEP THIS PARTS LIST FOR FUTURE REFERENCE

KEY	DESCRIPTION
✓	SAFE FOR FREE STANDING
⚙	MUST BE BOLTED TO THE FLOOR



PARTS 4, 5, 6 AND 7 ARE ALL OPTIONAL

The four 10.5mm holes in the base are for fixing the stand to the floor. To do this, appropriate anchor bolts or studding should be used.

If the base is safe for free standing, as shown in the pole selection table on left, insert the plastic hole caps (part 4) as shown.

**B-Tech International Ltd,**  
Bennett House, Long March, Daventry,  
Northamptonshire, NN11 4NR, UK.  
Tel: +44 (0)1327 300 787 Fax: +44 (0)1327 706 562  
Email: info@btechavmounts.co.uk

**B-Tech PRO-AV bvba,**  
Brixtonlaan 32, Zaventem 1930, Brussels, Belgium.  
Tel: +32 (0)2 720 92 71 Fax: +32 (0)2 725 42 15  
Email: info@btechproav.com

**B-Tech Audio Video Mounts,**  
203 Eggert Road, Buffalo, NY 14215, USA.  
Tel: (1)800 975 5812 Fax: (1)800 592 2876  
Email: info@btechavmounts.com

**B-Tech International (Hong Kong) Ltd,**  
1503 Prosperity Millennia Plaza, 663 King's Road,  
Quarry Bay, Hong Kong.  
Tel: (+852) 2556 7337 Fax: (+852) 2556 7321  
Email: info@btechavmounts.com.hk

[www.btechavmounts.com](http://www.btechavmounts.com)