

Full Motion Flat Screen Medical Wall Mount with Articulating Arm

For more information please visit www.btechavmounts.com/BT7593

BT7593



BT7593

Full Motion Flat Screen Medical Wall Mount with Articulating Arm

Designed for small flat screens
up to 23" (58cm) and between
5kg (11lbs) to 8kg (17.6lbs)

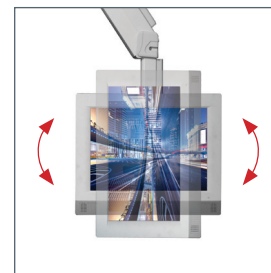
- Full motion wall arm - ideal for mounting behind hospital beds
- Fits screens with VESA® mounting patterns: 75 x 75mm and 100 x 100mm
- Allows 360° rotation of screen in any direction to display screen in landscape or portrait style
- Easy adjustment of tilt +/- 100°
- Supplied with optional handle for easy screen positioning
- Mounts screen up to 1650mm (65") from wall
- Available in White



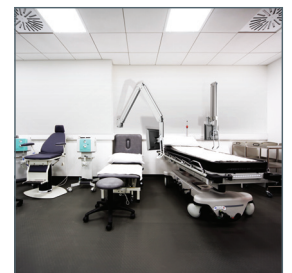
Supplied with optional handle for easy screen positioning



Space saving design - folds flat to the wall



360° rotation allows screen to be positioned in any orientation

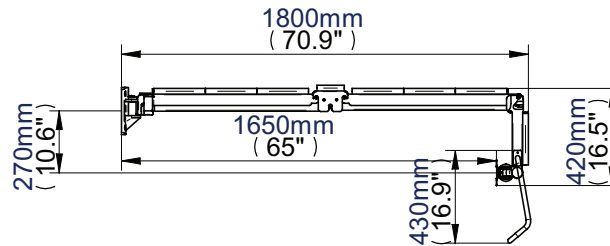


Ideal for mounting screens in hospital wards

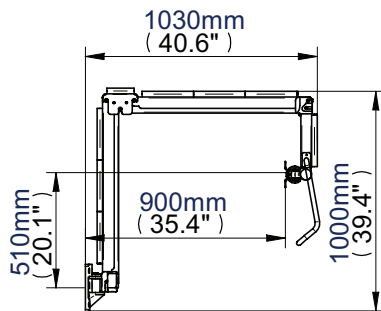
Full Motion Flat Screen Medical Wall Mount with Articulating Arm

For more information please visit www.btechavmounts.com/BT7593

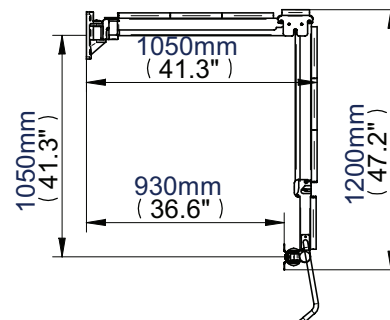
BT7593



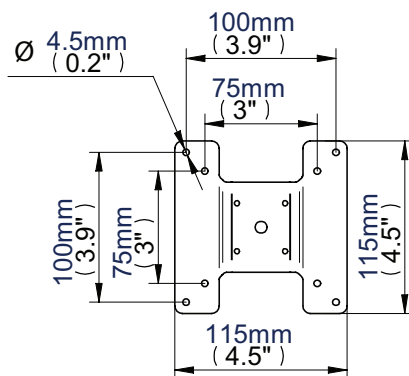
Side View - Maximum Extension



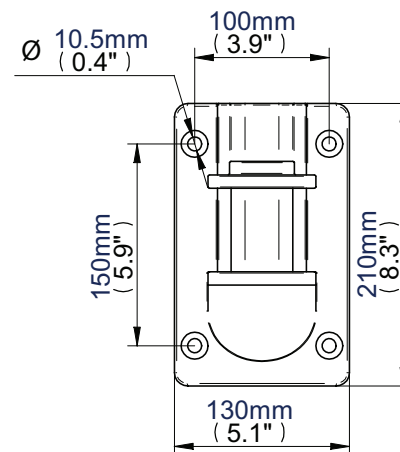
Side View



Side View



Interface



Wall Plate

| Colour: | Order Ref: | EAN Code: | Master Carton Qty: | Inner Carton Qty: | Master Carton Weight: | Master Carton Cube: |
|---------|------------|---------------|--------------------|-------------------|-----------------------|---------------------|
| White | BT7593/W | 5019318750731 | 1 | N/A | 15kg (33lbs) | 0.059cbm (2.1cuft) |

**This information is intended as a guide only and reflects the current specification at the time of print.
B-Tech accepts no liability for the accuracy of the information contained in this document.**