



Fortimo LED downlight module Twistable

Fortimo TDLM LH 1100 230V

The Fortimo Twistable DLM offers luminaire manufacturers excellent value for money, as well as freedom of design thanks to its round shape and choice of color temperatures. The system comprises a module and a lamp holder. The driver is integrated into the module so there is no need to connect an additional LED driver. The lamp holder connects the module to the mains supply. The Fortimo Twistable modules are available in different lumen outputs in order to replace CFL (2x 18 W) and CFL (2 x 26 W) and are all dimmable. The module can be easily upgraded to incorporate more efficient modules and to change the color temperature.

Product data

• Temperature Characteristics

• Product Dimensions

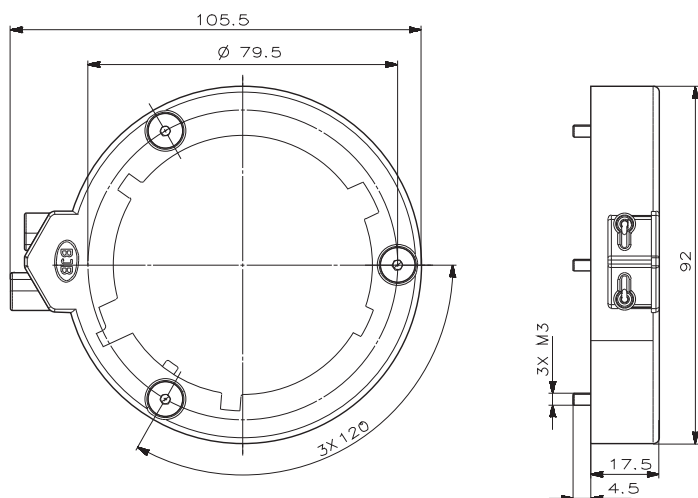
• Product Data

Order code	929000499503
Full product code	929000499503
Full product name	Fortimo TDLM LH 1100 230V
Order product name	Fortimo TDLM LH 1100 230V

Pieces per pack	1
Packing configuration	120
Packs per outerbox	120
Bar code on pack - EAN1	8727900923681
Bar code on outerbox - EAN3	8727900923681
Logistic code(s) - 12NC	929000499503
Net weight per piece	0.047 kg

Dimensional drawing

Dimensional drawing



Product	A1 (Norm)	B1 (Norm)	C1 (Norm)	D1 (Norm)	D2 (Norm)
Fortimo TDLM LH 1100 230V	-	-	-	-	-



© 2012 Koninklijke Philips Electronics N.V.
All rights reserved.

Specifications are subject to change without notice. Trademarks are the property of Koninklijke Philips Electronics N.V. or their respective owners.

www.philips.com/lighting

2012, June 4
data subject to change