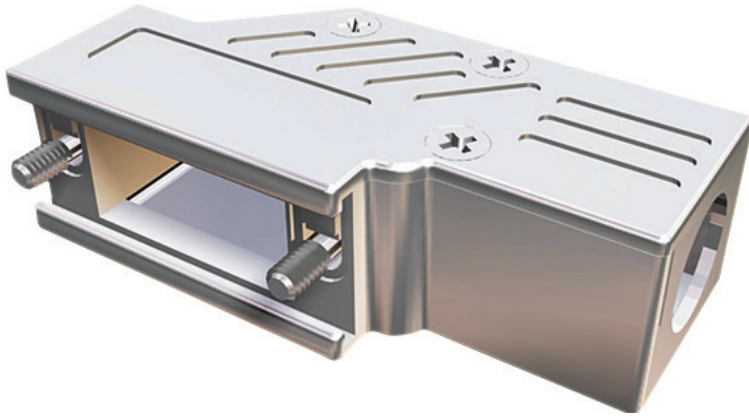
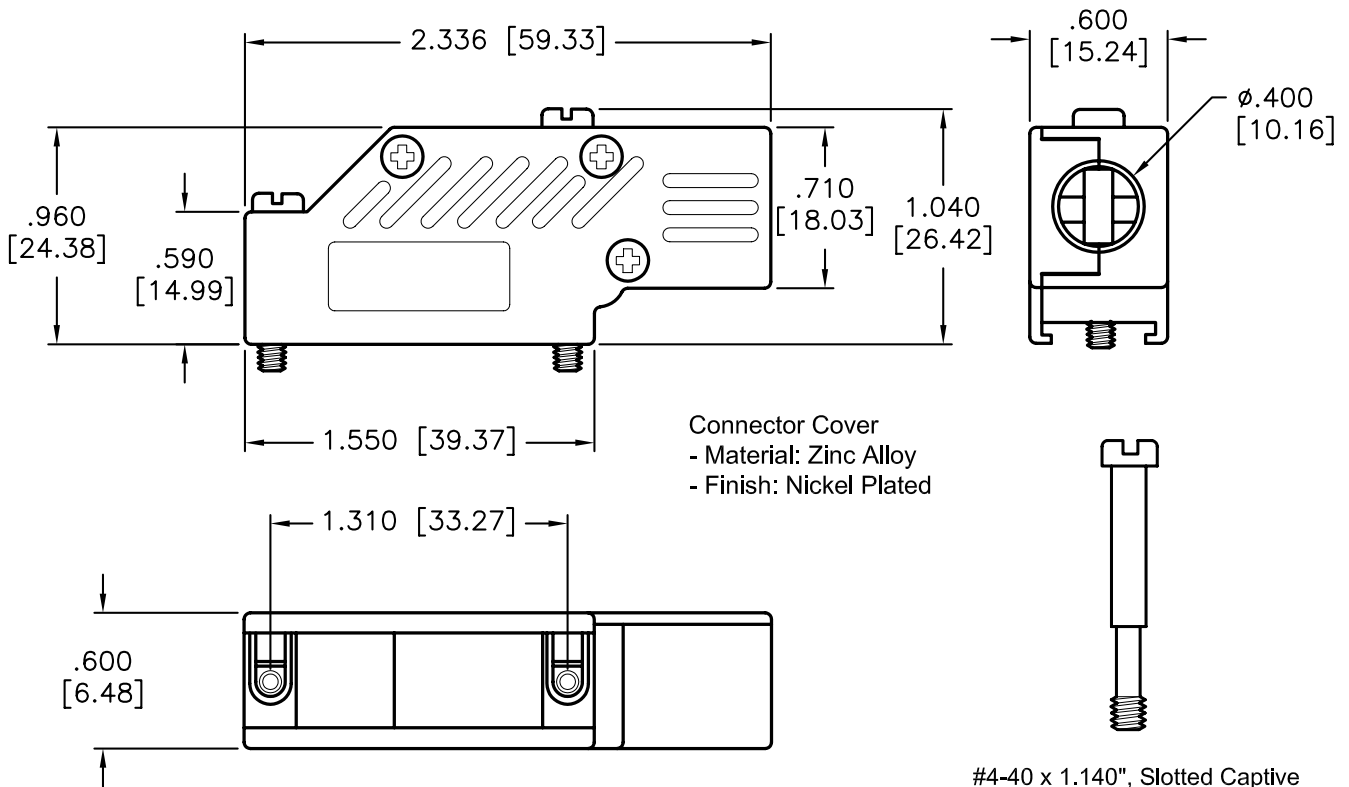


# D-Sub Cover



## Specifications

D-Sub Shell Size	: DA
Connector Body Material	: Zinc Alloy
Cable Exit Angle	: 90°
Accessory Type	: D-Sub Cover
Body Material	: Metal
Body Plating	: Nickel
Connector Shell Size	: DA
Enclosure Material	: Metal



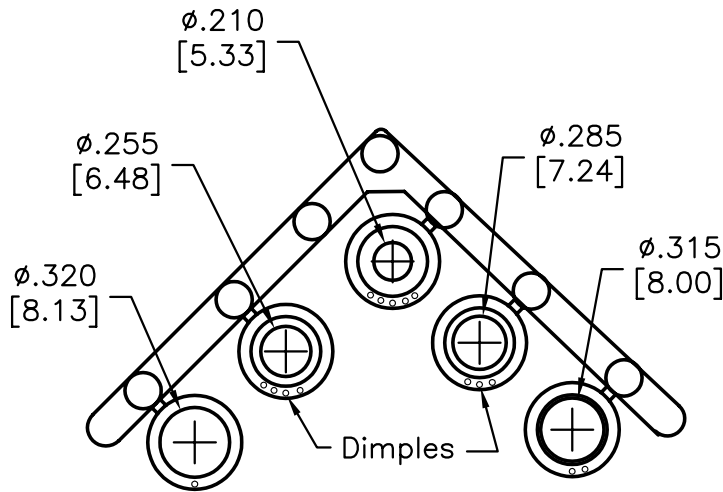
Connector Cover  
 - Material: Zinc Alloy  
 - Finish: Nickel Plated

#4-40 x 1.140", Slotted Captive Screw, Low Carbon Steel, Nickel Plated (1 Ea.)

Dimensions : Inches (Millimeters)

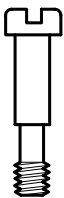


# D-Sub Cover



#2-56 Phillips Head Machine  
Screw, Stainless Steel  
(3 Ea.)

Compression Inserts  
Material: Thermoplastic  
Color: Black  
Durometer: 75±5 Type A Per ASTM D2240



#4-40 x 0.770", Slotted Captive  
Screw, Low Carbon Steel,  
Nickel Plated  
(1 Ea.)

Dimensions : Inches (Millimeters)

## Part Number Table

Description	Part Number
15 Pin, Right Angle, Low Profile D-Sub Cover	SPC20349

**Important Notice :** This data sheet and its contents (the "Information") belong to the members of the Premier Farnell group of companies (the "Group") or are licensed to it. No licence is granted for the use of it other than for information purposes in connection with the products to which it relates. No licence of any intellectual property rights is granted. The Information is subject to change without notice and replaces all data sheets previously supplied. The Information supplied is believed to be accurate but the Group assumes no responsibility for its accuracy or completeness, any error in or omission from it or for any use made of it. Users of this data sheet should check for themselves the Information and the suitability of the products for their purpose and not make any assumptions based on information included or omitted. Liability for loss or damage resulting from any reliance on the Information or use of it (including liability resulting from negligence or where the Group was aware of the possibility of such loss or damage arising) is excluded. This will not operate to limit or restrict the Group's liability for death or personal injury resulting from its negligence. Multicomp is the registered trademark of the Group. © Premier Farnell plc 2012.

