

# RF / Coaxial BHD Adapter BNC Jack to Jack



## Specification

### Electrical Characteristics

Impedance : 50Ω nominal  
 Working Voltage : 500V, RMS at sea level  
 Frequency Range : 0 to 4 GHz  
 Contact Resistance : Outer - 0.2mΩ Max.  
 Center - 2.1mΩ Max.  
 Insulation Resistance : 5,000MΩ Min.  
 Dielectric With Standing Voltage : 1,500 Volts, RMS at sea level  
 Corona Level : 375V Min. at 70,000ft

### Environmental Characteristics

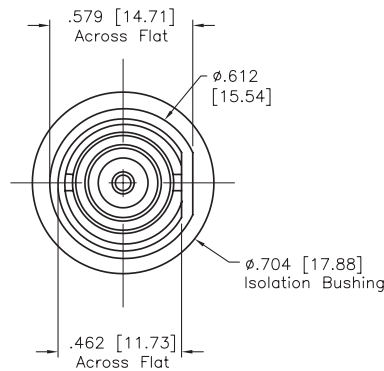
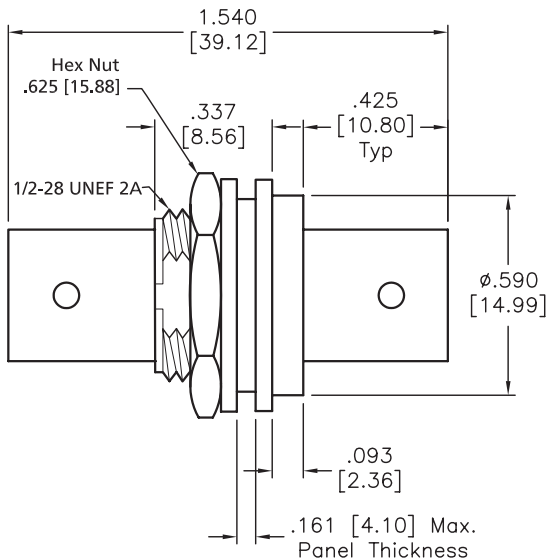
Recommended Temp. Range : -55°C to 85°C  
 Moisture Resistance : MIL-STD 202

### Mechanical Characteristics

Durability : 500 Cycles  
 Force to Engage / Disengage : 3 lbs. Max.

### Materials

Body : Zinc or Brass  
 Contact : Brass, Beryllium Cooper or Phosphor Bronze  
 Spring Washer : Beryllium Copper  
 Insulator : Delrin or TPX Polymethylpentene  
 Plating : Body - Nickel  
 Contact - Nickel / Gold



Dimensions : Inches (Millimeters)

## Part Number Table

Description	Part Number
BNC Jack to Jack Bulkhead Adapter W / Isolation Washers	1578

**Important Notice :** This data sheet and its contents (the "Information") belong to the members of the Premier Farnell group of companies (the "Group") or are licensed to it. No licence is granted for the use of it other than for information purposes in connection with the products to which it relates. No licence of any intellectual property rights is granted. The Information is subject to change without notice and replaces all data sheets previously supplied. The Information supplied is believed to be accurate but the Group assumes no responsibility for its accuracy or completeness, any error in or omission from it or for any use made of it. Users of this data sheet should check for themselves the Information and the suitability of the products for their purpose and not make any assumptions based on information included or omitted. Liability for loss or damage resulting from any reliance on the Information or use of it (including liability resulting from negligence or where the Group was aware of the possibility of such loss or damage arising) is excluded. This will not operate to limit or restrict the Group's liability for death or personal injury resulting from its negligence. Multicomp is the registered trademark of the Group. © Premier Farnell plc 2012.