

# RF/Coaxial Adapter BNC Plug-BNC Jack



## Specifications

### Electrical Characteristics

Impedance	: 50Ω Nominal
Frequency Range	: 0 to 4 GHz
Working Voltage	: 500 volts RMS at sea level
Dielectric Withstanding Voltage	: 1,500V RMS at sea level
Corona Level	: 375V Min. at 70,000 feet
Contact Resistance	: Outer- 0.2mΩ Max. Center - 2.1mΩ Max.
Insulation Resistance	: 5,000MΩ Min.

### Environmental Characteristics

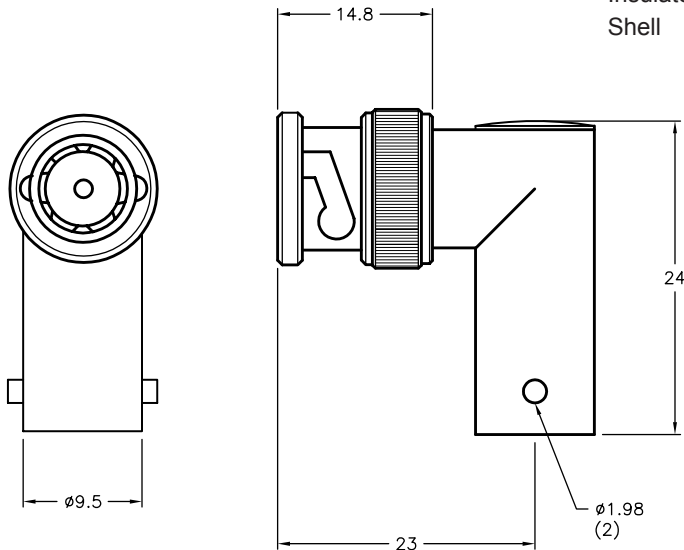
Recommended Temp. Range	: -55°C - 85°C
Moisture Resistance	: MIL-STD-202

### Mechanical Characteristics

Durability	: 500 Cycles
Force to engage/disengage	: 3 lbs Max.

### Materials

Body	: Brass- Nickel Plated
Contact	: Brass - Gold Plated
Insulator	: Delrin®
Shell	: Zinc- Nickel Plated



Dimensions : Millimeters (Inches)

## Part Number Table

Description	Part Number
BNC, Right Angle, Male to Female Adapter	SPC19787

**Important Notice** : This data sheet and its contents (the "Information") belong to the members of the Premier Farnell group of companies (the "Group") or are licensed to it. No licence is granted for the use of it other than for information purposes in connection with the products to which it relates. No licence of any intellectual property rights is granted. The Information is subject to change without notice and replaces all data sheets previously supplied. The Information supplied is believed to be accurate but the Group assumes no responsibility for its accuracy or completeness, any error in or omission from it or for any use made of it. Users of this data sheet should check for themselves the Information and the suitability of the products for their purpose and not make any assumptions based on information included or omitted. Liability for loss or damage resulting from any reliance on the Information or use of it (including liability resulting from negligence or where the Group was aware of the possibility of such loss or damage arising) is excluded. This will not operate to limit or restrict the Group's liability for death or personal injury resulting from its negligence. Multicomp is the registered trademark of the Group. © Premier Farnell plc 2012.