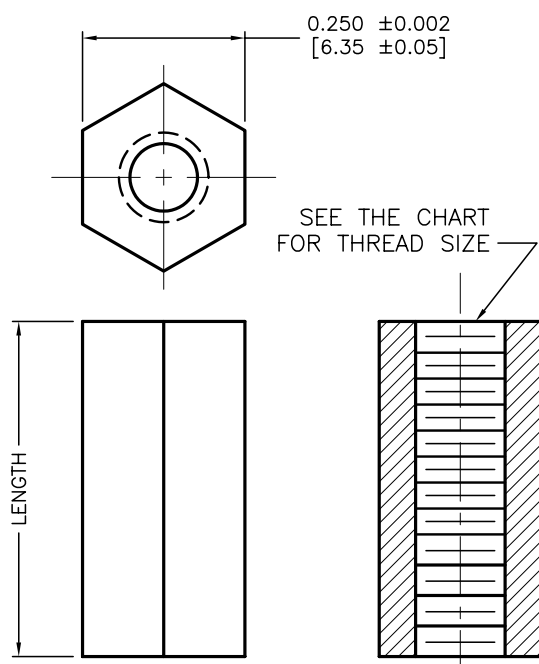


Hex Standoff Threaded, Brass



Specifications

Thread Size - Imperial	: 8 - 32
Spacer Material	: Brass
External Width	: 6.35mm
Body Plating	: Zinc
Overall Length	: 19.05mm
Spacing Height	: 0.75"
Thread Length	: 19.05mm



Dimensions : Inches (Millimeters)

Notes

1. Material : Brass, ASTM-816
2. Finish : Zinc, Plated Per QQ-Z-3258
3. Spacers over 1.00 Long are tapped 0.375 Deep each end

Hex Standoff Threaded, Brass



Part Number Table

Description	Thread Size	Length (Inches)	Part Number
Hex Standoff, Threaded, Brass	4-40	0.250	HTB-4-250-A
		0.375	HTB-4-375-A
		0.500	HTB-4-500-A
		0.625	2747
		0.750	HTB-4-750-A
		0.875	2748
		1.000	HTB-4-1 000-A
		1.500	2749
		2.000	2750
	6-32	0.250	HTB-6-250-A
		0.375	HTB-6-375-A
		0.500	HTB-6-500-A
		0.625	2744
		0.750	HTB-6-750-A
		0.875	2751
		1.000	HTB-6-1 000-A
		1.500	2745
		2.000	2746
	8-32	0.250	HTB-8-250-A
		0.375	HTB-8-375-A
		0.500	HTB-8-500-A
		0.625	2752
		0.750	HTB-8-750-A
		0.875	2753
1.000		HTB-8-1 000-A	
1.500		2754	
2.000		2755	

Important Notice : This data sheet and its contents (the "Information") belong to the members of the Premier Farnell group of companies (the "Group") or are licensed to it. No licence is granted for the use of it other than for information purposes in connection with the products to which it relates. No licence of any intellectual property rights is granted. The Information is subject to change without notice and replaces all data sheets previously supplied. The Information supplied is believed to be accurate but the Group assumes no responsibility for its accuracy or completeness, any error in or omission from it or for any use made of it. Users of this data sheet should check for themselves the Information and the suitability of the products for their purpose and not make any assumptions based on information included or omitted. Liability for loss or damage resulting from any reliance on the Information or use of it (including liability resulting from negligence or where the Group was aware of the possibility of such loss or damage arising) is excluded. This will not operate to limit or restrict the Group's liability for death or personal injury resulting from its negligence. Multicomp is the registered trademark of the Group. © Premier Farnell plc 2012.

