

Printer Cable

Parallel, 10ft, Gray



Specifications

Molded Connector End Requirements

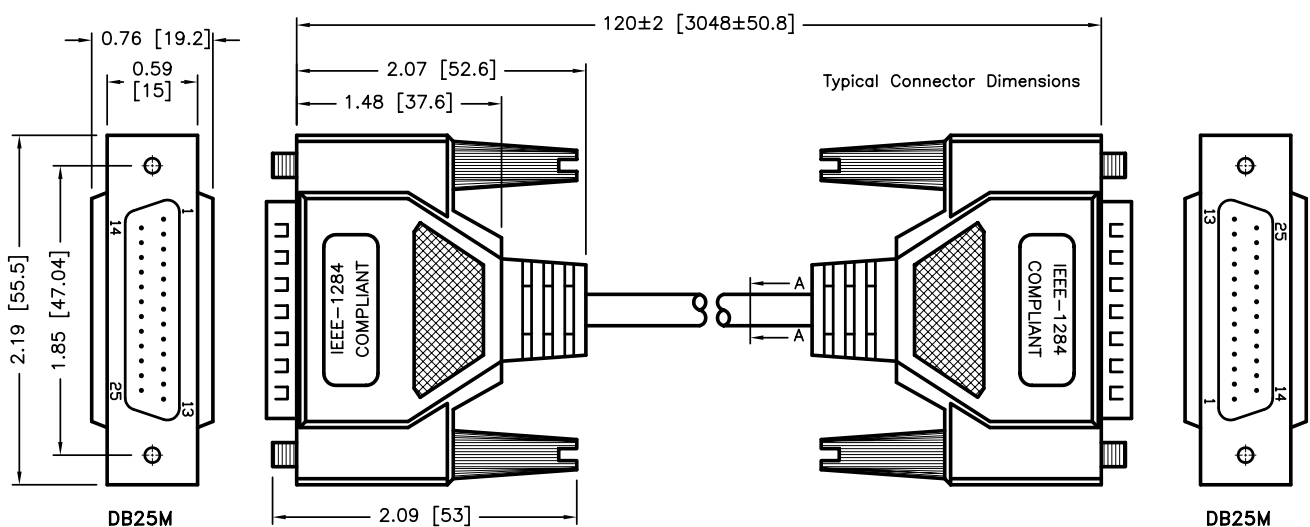
- Inner Mold using PE
- Copper foil wrap and 360° solder to connector
- PVC – 45P, Platinum Gray

Cable

- [28AWG (7/0.127) × 18P + FO - PP
- TAPE + AL/MY + DW (7/0.163) + 85%BD (24/8/0.12)]TIN
- Insulation: PP, OD = $\varnothing 0.63 \pm 0.05\text{mm}$
- Colour : Colour Code
- Jacket : 80°C PVC, OD = $\varnothing 8 \pm 0.2\text{mm}$
- Colour : Platinum Gray

Thumbscrew : Male 4 × 47mm, Nickel Plating

Connectors : DB25 Pin Male, Nickel Plating, Insulator Colour : Black



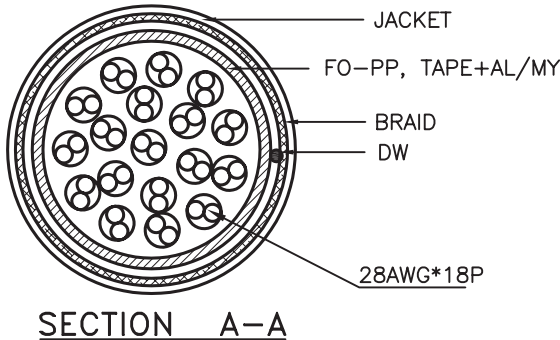
Dimensions : Inches (Millimetres)

www.element14.com
www.farnell.com
www.newark.com



Printer Cable

Parallel, 10ft, Gray



Pin Outs

DB25 Male	Wire Colour	DB25 Male	DB25 Male	Wire Colour	DB25 Male	DB25 Male	Wire Colour	DB25 Male
1	Black	1	13	Yellow/Red	13	22	Purple/Black	22
2	Brown	2	14	Light-Green	14	22	White/Black	22
3	Red	3	16	Light-Blue	16	24	Gray/Black	24
4	Orange	4	15	White/Red	15	23	Pink/White	23
5	Yellow	5	17	Pink	17	24	Orange/White	24
6	Green	8	18	Black/White	18	24	Yellow/White	24
7	Blue	7	19	Brown/Black	19	25	Light-Green/Black	25
8	Purple	8	19	Red/Black	19	25	Light-Blue/Black	25
9	White	9	20	Orange/Black	20	23	Red/White	23
10	Gray	10	20	Yellow/Black	20	25	Pink/Black	25
11	Pink/Red	11	21	Green/Black	21	N/C	Gray/Red & Gray/White	N/C
12	Orange/Red	12	21	Blue/Black	21	Shell		Shell

Part Number Table

Description	Part Number
IEEE 1284 Printer Cable, 10ft, DB25P M/M	SPC19937

Important Notice : This data sheet and its contents (the "Information") belong to the members of the Premier Farnell group of companies (the "Group") or are licensed to it. No licence is granted for the use of it other than for information purposes in connection with the products to which it relates. No licence of any intellectual property rights is granted. The Information is subject to change without notice and replaces all data sheets previously supplied. The Information supplied is believed to be accurate but the Group assumes no responsibility for its accuracy or completeness, any error in or omission from it or for any use made of it. Users of this data sheet should check for themselves the Information and the suitability of the products for their purpose and not make any assumptions based on information included or omitted. Liability for loss or damage resulting from any reliance on the Information or use of it (including liability resulting from negligence or where the Group was aware of the possibility of such loss or damage arising) is excluded. This will not operate to limit or restrict the Group's liability for death or personal injury resulting from its negligence. Multicom is the registered trademark of the Group. © Premier Farnell plc 2012.

