

Flexible Cords and Cable Fittings

Flexible Cord Connectors

The Ranger® Series Cord Connector Fittings

Our Ranger Liquidtight fittings are the only connectors able to take a .250 inch cable range.

These unique connectors feature:

- Connectors that take twice the cable range of ordinary strain relief connectors
- Smaller overall size that makes it easy to fit into tight spaces
- Gland nut design that restricts cable bending
- Choice of aluminum, steel and non-metallic materials
- Straight, 45° and 90° designs



T&B Fittings

Liquidtight Flexible Cord and Power Cable Fittings

We also offer liquidtight fittings designed to handle the unique connection demands of flexible cords and power cable applications, where exceptional mechanical strain relief is needed in addition to a dependable seal against dust, oil and other liquids.

The design of our flexible cord and power cable fittings is ideal for installations such as robot manufacturers, packaging equipment, machine tool building and other industrial OEM and MRO applications.

The advantages these fittings offer include:

- Neoprene bushing to make liquidtight installations by applying pressure against the cable for the full length of the bushing
- CSA certified watertight
- UL listed for liquidtight strain relief and as an outlet bushing
- Metal and plastic assemblies capable of accepting a wide range of cords
- Black Beauty® non-metallic cord connector offers the convenience of tool-free installation, with a segmented chuck for high mechanical pullout performance, and neoprene bushings for a secure, liquidtight installation.



Flexible Cords and Cable Fittings

T&B Fittings



Whatever the application. Whatever the size. Thomas & Betts is your connection to tough, versatile cord and cable fittings.

Thomas & Betts offers a complete line of rugged, reliable cord and cable fittings. All fittings are produced to the highest standards, combining innovative design and precision manufacturing methods to provide the products you need for your specific applications. Combining proven performance, installation advantages and availability of ranges, T&B is also your connection to lower installed costs for the life of your cord and cable requirements.

Use this guide to help you specify the fitting you need for your cord and cable requirements.

Cord and Cable Requirements

CORD AND CABLE TYPE	T&B FITTING
S, SO, SV, ST, STD, SJ,	Ranger® 2920NM# Series, 2920# Series
SJO, SJT, SJTO, SVO	Liquidtight Strain Relief 2500# Series
TC	Tray Cable TC Series
JMC, MC	STAR TECK EXTREME® STE/STEX Series
S, SO, SV, ST, STD, SJ, SJO, SJT, SJTO, SVO	Wire Mesh Grips WMG-PC Series for Portable Cord

Considerations for Selection

- Selection of the proper device or fitting involves consideration of the type of cable to be installed and the environment that will surround the cable installation.
- A proper matching of the cable and its fitting is necessary to prevent physical damage to the cable when installed.

Cord and Cable Descriptions

Type TC power and control tray cable is a factory assembly of two or more insulated conductors, with or without associated bare or covered grounding conductors under a nonmetallic sheath, for installation in cable trays, in raceways or where supported by a messenger wire.

Type MC metal clad cable is a factory assembly of one or more insulated circuit conductors with or without optical-fiber members enclosed in a metallic sheath of interlocking tape, or a smooth or corrugated tube.

Type SJ, tradename is Junior Hard Service Cord. The outer covering is Thermoset and it is a pendant or portable cord used in damp locations for hard usage.

Type SJO, tradename is Junior Hard Service Cord. The outer covering is oil-resistant Thermoset.

Type SJT, tradename is Junior Hard Service Cord. The outer covering is Thermoplastic.

Type SJTO, tradename is Junior Hard Service Cord. The outer covering is oil resistant Thermoplastic.

Type SO, tradename is Hard Service Cord. The outer covering is oil-resistant Thermoset and it is a pendant or portable cord used in damp locations for extra hard usage.

Flexible Cords and Cable Fittings



2920 Series



2920AL Series



2516 Series



Liquidtight Flexible Cord and Cable Connectors

Application

- A liquidtight connector to connect flexible cord or cable to an enclosure and provide adequate strain relief

Features

- Liquidtight connection with enclosure is ensured by:
 - Taper threaded hub on 2520 series for female hub application
 - Using sealing ring series 5262 with 2520 series for knockout application
 - Captivated sealing O-Ring on 2631 series
 - Neoprene bushing makes liquidtight installation; applies pressure against cable the full length of bushing
 - Thermoplastic or stainless steel retaining ring
 - Will not abrade cord/cable jacket
 - Reduces installing torque effort
- UL Listed liquidtight, strain relief and as an outlet bushing; CSA certified watertight

Standard Material

Gland, Body Steel/Malleable Iron/Zinc Die Cast
 Retaining Ring Thermoplastic/Stainless Steel
 Bushing Neoprene
 O-Ring Buna N

Standard Finish

Electro Zinc Plated & Chromate Coated

Range

2520 Series, straight 125" outside diameter to 3,200" outside diameter Cord or Cable
 2200 Series, 45° 125" outside diameter to 1,485" outside diameter Cord or Cable
 2267 Series, 90° 125" outside diameter to 1,875" outside diameter Cord or Cable
 Cord/Cable Type S, SO, SV, ST, STO, SJ, SJO, SJT, SJTO, SVO & SVT

Listed/Certified by

UL (UL File No. E-13938)
 CSA LR-589, LR-4484

Conforms to ANSI C33.84, NFPA 70-1978 (ANSI)
 UL 514CSA. 22.2 No. 18.

Suggested Specifications for Flexible Cord and Cable Fittings

- Flexible cord or cable and associated fittings shall be suitable for conditions of use and location and approved for the purpose by a nationally recognized testing laboratory, inspection agency or product evaluation organization
- Flexible cord or cable shall be so connected to the device or fitting that tension will not be transmitted to joints or terminal screws. Sufficient slack shall be provided to avoid sharp flexing and straining. Cord or cable shall be installed in such a manner that liquid will tend to run off the surface instead of draining towards the fitting
- Where flexible cord or cable exposed to intermittent or constant moisture and subjected to mechanical strain is terminated into a threaded or threadless opening, terminating fittings shall be of watertight strain relief type such as Thomas & Betts series 2920, 2920AL, 2920NM, 2520, 2631 or 2672. Fittings shall be equipped with a beveled moisture resistant/oil resistant synthetic rubber bushing
- Where space is limited inside the enclosure, a female hub type fitting such as Thomas & Betts series 2631 shall be furnished. A captivated resilient sealing O-Ring shall be included to positively protect against damage from overtorquing

T&B Fittings

CAT. NO	SIZE	MIN.	MAX.	SVO, SV, SVT				SJ, SJO, SJT, SJTO				S, SO, ST, STO			
				#18	#18	#16	#14	#18	#16	#14	#12	#10	#8	#6	
2 Conductor															
2920	½"	0.125	0.375	X	X	X	X								
2921	½"	0.310	0.560			X	X	X	X	X					
2922	½"	0.500	0.750				X	X	X	X	X	X			
2930	¾"	0.125	0.375	X	X	X	X								
2931	¾"	0.310	0.560			X	X	X	X	X					
2932	¾"	0.500	0.750				X	X	X	X	X	X			
2940	1"	0.310	0.560			X	X	X	X	X					
2941	1"	0.500	0.750				X	X	X	X	X	X			
2942	1"	0.700	0.950					X					X	X	
3 Conductor															
2920	½"	0.125	0.375	X	X	X									
2921	½"	0.310	0.560		X	X	X	X	X						
2922	½"	0.500	0.750							X	X	X			
2930	¾"	0.125	0.375	X	X	X									
2931	¾"	0.310	0.560		X	X	X	X	X						
2932	¾"	0.500	0.750							X	X	X			
2940	1"	0.310	0.560			X	X	X	X						
2941	1"	0.500	0.750		X					X	X	X			
2942	1"	0.700	0.950									X	X		
4 Conductor															
2920	½"	0.125	0.375	X											
2921	½"	0.310	0.560		X	X	X	X	X						
2922	½"	0.500	0.750							X	X				
2930	¾"	0.125	0.375	X											
2931	¾"	0.310	0.560		X	X	X	X	X						
2932	¾"	0.500	0.750							X	X				
2940	1"	0.310	0.560		X	X	X	X	X						
2941	1"	0.500	0.750							X	X				
2942	1"	0.700	0.950								X	X			

United States
 Tel: 901.252.8000
 800.816.7809
 Fax: 901.252.1354

Canada
 Tel: 450.347.5318
 Fax: 450.347.1976

Technical Services
 Tel: 888.862.3289

Thomas & Betts

www.tnb.com

Flexible Cords and Cable Fittings

The Ranger® Series of Steel Liquidtight Cord Connectors

The Ranger Series Steel Liquidtight Connector takes twice the cable range of most ordinary strain relief connectors. T&B's Ranger Connectors enable you to reduce your inventory and save time with one connector that can do the work of two.

T&B Fittings



Cord & Cable Type

- S, SO, SV, ST, STD, SJ, SJO, SJT, SJTO, SVD

Features

- Extended range with superior strain relief
- Reduced overall size, fits into tighter spaces
- Gland nut designed to restrict cable bending

Materials

Body: Steel-2920 series, Malleable Iron-4920 & 4960 series
 Gland Nut, Grip: Steel-all series
 Bushing: Rubber

Environment Classification

- Ordinary locations
- Wet or dry locations

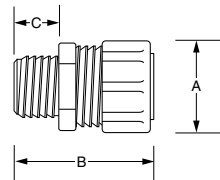
Range

Cord Range: .125" to .950"
 Hub Size Range: 1/2" to 1"

Application

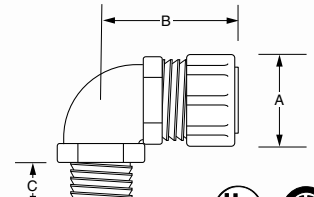
- Provide means for passing a cord cable into an enclosure, through a bulkhead or into a rigid conduit
- Form a mechanical grip and water and/or oil-resistant seal for cord
- Form a non-slip connection or termination for flexible cord

Steel Liquidtight Strain Relief Connectors — Straight



CAT. NO.	HUB SIZE	THROAT DIA.	CORD RANGE	DIMENSIONS (IN.)		
				A	B	C
2920	1/2"	4/64"	.125-.375	1 1/8	1 3/4	5/8
2921	1/2"	4/64"	.310-.560	1 1/8	1 3/4	5/8
2922	1/2"	4/64"	.500-.750	1 1/8	1 3/4	5/8
2930	3/4"	13/16"	.125-.375	1 1/8	1 5/8	5/8
2931	3/4"	13/16"	.310-.560	1 1/8	1 5/8	5/8
2932	3/4"	13/16"	.500-.750	1 1/8	1 5/8	5/8
2940	1"	11/16"	.310-.560	1 1/8	1 3/4	1 1/4
2941	1"	11/16"	.500-.750	1 1/8	1 3/4	1 1/4
2942	1"	31/32"	.700-.950	1 1/8	1 1/8	31/32

Steel Liquidtight Strain Relief Connectors — 90° Angle

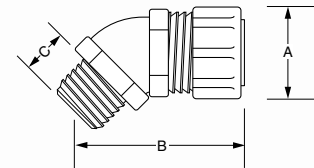


CAT. NO.	HUB SIZE	THROAT DIA.	CORD RANGE	DIMENSIONS (IN.)		
				A	B	C
4960	1/2"	19/32	.125-.375	1 1/8	1 1/4	5/8
4961	1/2"	19/32	.310-.560	1 1/8	1 1/4	5/8
4962	1/2"	19/32	.500-.750	1 1/8	1 3/4	5/8
4970	3/4"	25/32	.125-.375	1 1/8	1 5/8	1 1/16
4971	3/4"	25/32	.310-.560	1 1/8	1 5/8	1 1/16
4972	3/4"	25/32	.500-.750	1 1/8	1 5/8	1 1/16
4980	1"	1	.310-.560	1 1/8	2 1/2	1 3/16

All items shown on this page are suitable for use in hazardous locations where general purpose equipment is specifically permitted by the NEC, NEC 501-4(b).

U.L. File No. E-13938 CSA File No. 52391

Steel Liquidtight Strain Relief Connectors — 45° Angle



CAT. NO.	HUB SIZE	THROAT DIA.	CORD RANGE	DIMENSIONS (IN.)		
				A	B	C
4920	1/2"	37/64	.125-.375	1 1/8	1 1/16	47/64
4921	1/2"	37/64	.310-.560	1 1/8	1 1/16	47/64
4922	1/2"	37/64	.500-.750	1 1/8	1 1/16	47/64
4930	3/4"	25/32	.125-.375	1 1/8	1 1/16	5/8
4931	3/4"	25/32	.310-.560	1 1/8	1 1/16	5/8
4932	3/4"	25/32	.500-.750	1 1/8	1 1/16	5/8
4940	1"	15/16	.310-.560	1 1/8	1w	25/32

For wire mesh grips refer to pages A-111 & A-141.

Flexible Cords and Cable Fittings



The Ranger® Series of Non-Metallic Liquidtight Cord Connectors

The Ranger Series Non-Metallic Liquidtight Cord Connector takes twice the cable range of most ordinary strain relief connectors. T&B's Ranger Connectors enable you to reduce your inventory and save time with one connector that can do the work of two. The sturdy nylon material adds corrosion resistance to your installation.



Application

- Provide means for passing a cord into an enclosure or through a bulkhead or into a rigid conduit
- Form a mechanical grip and water and/or oil-resistant seal for cord
- Form a nonslip connection or termination for flexible cord, cable (armored or unarmored)

Cord & Cable Type

- S, SO, SV, ST, STD, SJ, SJO, SJT, SJTO, SVD

Features

- Extended range with superior strain relief
- Reduced overall size, fits into tighter spaces
- Gland nut designed to restrict cable bending

Materials

Weather stabilized nylon, temperature rated -34° C to 105° C

Bushing: Rubber

Environment Classification

- Ordinary locations
- Wet or dry locations

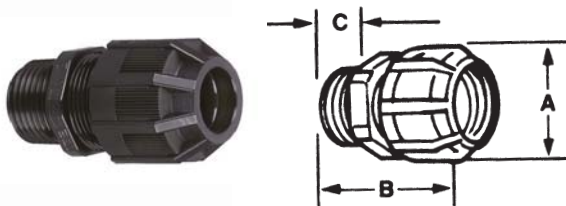
Range

Cord Range: Straight — .125" to .950"
90° — .125" to .750"

Hub Size Range: Straight — ½" to 1"
90° — ½" to ¾"

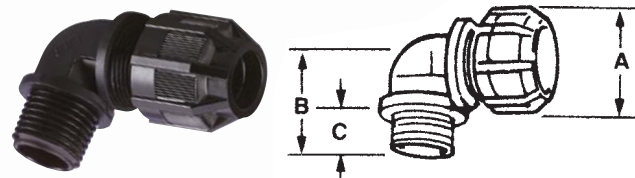
T&B Fittings

Non-Metallic Liquidtight Strain Relief Connector — Straight



CAT. NO.	TRADE OR HUB SIZE	THROAT DIA.	CORD RANGE	DIMENSIONS (IN.)		
				A	B	C
2920NM	½"	.55	.125-.375	1½	2½	¾
2921NM	½"	.55	.310-.560	1½	2½	¾
2922NM	½"	.55	.500-.750	1½	2½	¾
2930NM	¾"	.79	.125-.375	1½	2½	¾
2931NM	¾"	.79	.310-.560	1½	2½	¾
2932NM	¾"	.79	.500-.750	1½	2½	¾
2940NM	1"	.98	.310-.560	1½	2½	¾
2941NM	1"	.98	.500-.750	1½	2½	¾
2942NM	1"	.98	.700-.950	1½	2½	¾

Non-Metallic Liquidtight Strain Relief Connector — 90° Elbow



CAT. NO.	TRADE OR HUB SIZE	THROAT DIA.	CORD RANGE	DIMENSIONS (IN.)		
				A	B	C
4960NM	½"	.55	.125-.375	1½	1¼	¾
4961NM	½"	.55	.310-.560	1½	1¼	¾
4970NM	¾"	.79	.125-.375	1½	1¼	¾
4971NM	¾"	.79	.310-.560	1½	1¼	¾
4972NM	¾"	.79	.500-.750	1½	1¼	¾

UL File No. E 13938

CSA File No. 52391

Meets Coast Guard CG293

United States
Tel: 901.252.8000
800.816.7809
Fax: 901.252.1354

Canada
Tel: 450.347.5318
Fax: 450.347.1976

Technical Services
Tel: 888.862.3289

Thomas & Betts

www.tnb.com

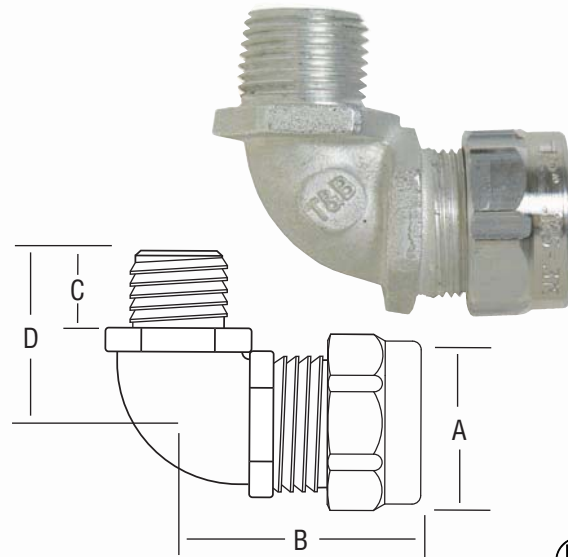
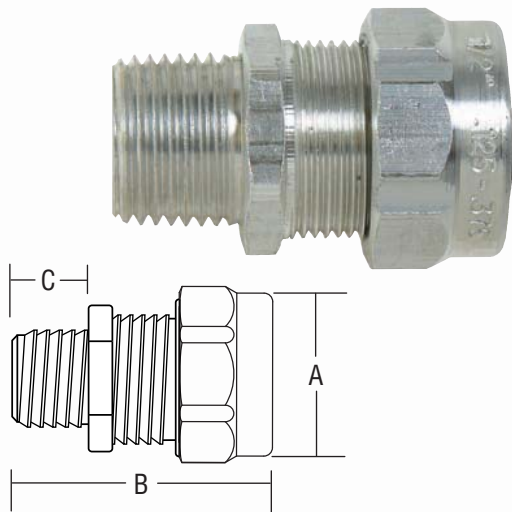
Flexible Cords and Cable Fittings

T&B Fittings

Aluminum Ranger® Cord Fitting

- Available in straight or 90° designs
- Designed to accept a wide range of cables, offering nine fittings that cover cord ranges from .125" through .950"
- Slotted design gland nut to accommodate securing in tight spaces
- Installer can simply use screwdriver to get into the hard-to-reach area and secure the gland nut
- Marked with cable ranges and conduit hub sizes

NEW!



T&B® Fittings Aluminum Ranger® Cord Fitting



CAT. NO.	HUB SIZE	CORD RANGE	DIMENSIONS				STD. PKG. QTY.	WT. PER 100
			A	B	C	D		
Straight								
2920AL	1/2"	.125-.375	1/8	1/4	5/8	—	25	8.50/C
2921AL	1/2"	.310-.560	1/8	1/4	5/8	—	25	8.05/C
2922AL	1/2"	.500-.750	1/16	1/4	5/8	—	25	9.95/C
2930AL	3/4"	.125-.375	1/16	1 5/32	3/4	—	10	12.30/C
2931AL	3/4"	.310-.560	1/16	1 5/32	3/4	—	10	11.90/C
2932AL	3/4"	.500-.750	1/16	1 5/32	3/4	—	10	11.50/C
2940AL	1"	.310-.560	1/16	1 3/4	1 1/16	—	10	18.00/C
2941AL	1"	.500-.750	1/16	1 3/4	1 1/16	—	10	16.00/C
2942AL	1"	.700-.950	1/16	1 7/8	3 1/2	—	10	16.70/C
90° Elbow								
4960AL	1/2"	.125-.375	1/8	1/4	5/8	1 1/16	50	23.60/C
4961AL	1/2"	.360-.560	1/8	1/4	5/8	1 1/16	50	11.60/C
4962AL	1/2"	.500-.750	1/16	1 3/64	5/8	1 3/8	50	29.40/C
4970AL	3/4"	.125-.375	1/16	1 5/32	1 1/16	1 13/32	50	17.20/C
4971AL	3/4"	.310-.560	1/16	1 5/32	1 1/16	1 13/32	50	30.00/C
4972AL	3/4"	.500-.750	1/16	1 5/32	1 1/16	1 13/32	50	33.09/C
4980AL	1"	.310-.560	1/16	2 1/32	1 3/16	1 3/4	25	21.50/C
4981AL	1"	.500-.750	1/16	2 1/32	1 3/16	1 3/4	25	22.36/C
4982AL	1"	.700-.950	1/16	2 1/16	1 3/16	2	25	18.20/C

Flexible Cords and Cable Fittings

Aluminum Liquidtight Strain Relief Connectors — 90° Elbow

CAT. NO.	TRADE OR HUB SIZE	THROAT DIA.	CORD RANGE	DIMENSIONS (IN.)			
				A	B	C	D
4960AL	1/2"	19/32"	.125-.375	1 1/8	1 3/4	5/8	1 1/16
4961AL	1/2"	19/32"	.360-.560	1 1/8	1 3/4	5/8	1 1/16
4962AL*	1/2"	19/32"	.500-.750	1 5/16	1 29/64	5/8	1 3/8
4970AL	3/4"	25/32"	.125-.375"	1 5/16	1 25/32	11/16	1 15/32
4971AL	3/4"	25/32"	.310-.560	1 5/16	1 29/32	11/16	1 19/32
4972AL	3/4"	25/32"	.500-.750	1 5/16	1 29/32	11/16	1 15/32
4980AL	1"	1"	.310-.560	1 5/16	2 1/32	13/16	1 3/4
4981AL	1"	1"	.500-.750	1 5/16	2 1/32	13/16	1 3/4
4982AL	1"	1"	.700-.950	1 1/2	2 1/16	13/16	2

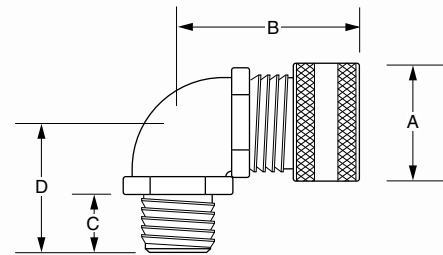
* It may be necessary to remove sufficient outer covering of cable to permit conductors to pass through connector body.

All items shown on this page are suitable for use in hazardous locations where general purpose equipment is specifically permitted by the NEC. NEC 501-4(b).

UL File No. E-13938

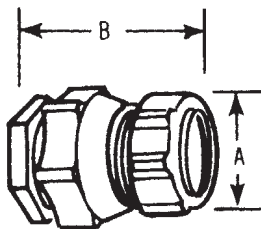
CSA File No. 52391

For wire mesh grips, refer to pages A-111 and A-141.



T&B Fittings

CHASE® Liquidtight Cord Connectors



CAT. NO.	CABLE SIZE RANGE (IN.)	THROAT DIA.	CORD RANGE	DIMENSIONS (IN.)	
				A	B
2631	(.125-.250)	1/2"	3/16"	1 1/16	1 1/8
2632	(.250-.375)	1/2"	3/16"	1 1/16	1 1/8
2633	(.375-.500)	1/2"	3/16"	1 1/16	1 1/8
2634	(.450-.560)	1/2"	3/16"	1 1/16	1 1/8
2637	(.125-.250)	3/4"	25/32"	1 1/16	1 3/4
2638	(.250-.375)	3/4"	25/32"	1 1/16	1 3/4
2639	(.375-.500)	3/4"	25/32"	1 1/16	1 3/4
2640	(.500-.625)	3/4"	25/32"	1 1/16	1 3/4
2641	(.625-.750)	3/4"	25/32"	1 1/16	1 3/4
2646	(.500-.625)	1"	1"	1 3/8	1 13/16
2647	(.625-.750)	1"	1"	1 3/8	1 13/16
2648	(.750-.880)	1"	1"	1 3/8	1 13/16

Suitable for hazardous locations use in Class I, Div. 2; Class II, Div. 1 and 2; Class III, Div. 1 and 2, where general purpose equipment is specifically permitted per NEC Section 500-2(a).

Complete with O-Ring seal and nylon insulated throat and neoprene bushing.

UL Listed as liquidtight strain relief, and outlet bushing. CSA certified watertight.

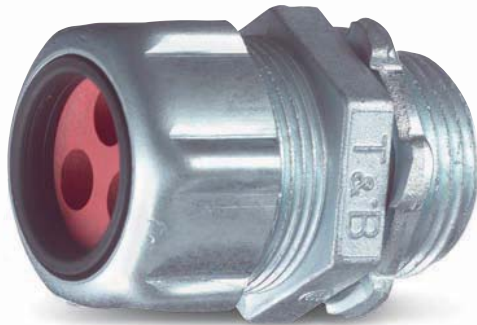
Temperature Rating: 105° C UL File No. E 13938

CSA File No. 589. CHASE® Liquidtight Cord Connectors are ideal for installation where space is limited inside the enclosure.

Flexible Cords and Cable Fittings

Multi-Hole Flexible Cord and Cable Connectors

T&B Fittings

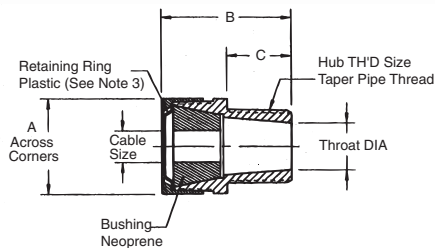


CAT. NO.	HUB SIZE, IN.	DIA. NO.	CORD DIA.
2520-2	1/2"	2	.220
2530-2	3/4"	2	.220
2531-2	3/4"	2	.260
2531-3	3/4"	3	.260
2541-2	1"	2	.300
2542-2	1"	2	.375
2540-3	1"	3	.225
2541-3	1"	3	.300
2540-4	1"	4	.220
2555-2	1 1/4"	2	.500

NOTE: Range of cord dia. \pm .010.

In many applications you have only room for one fitting but you need to run two cables for example, proximity switches. Now you can provide strain relief and liquidtight protection with T&B's new multi-hole liquidtight strain relief connectors. With the ever-increasing number of signal cables, now you have a solution to the problem of how to strain relieve multiple cables in one fitting.

Watertight Strain Relief Connectors (Straight)



NOTES:

1. Cord or cable will not pass thru body without removing outer covering.
2. Listed under UL file No. E13938A and CSA file No. 589 except Cat. Nos. 2516, 2517, 2518 and 2519.
3. 2 1/2" and 3" sizes have stainless steel retaining rings.
4. Cat. No. 2558AL through 2575AL have machined aluminum body with stamped sheet aluminum gland. All others have cast aluminum body and gland. All bodies and glands are etched clean and wax-coated for easy assembly.
5. Alumishield to be on gland to prevent galling of threads.

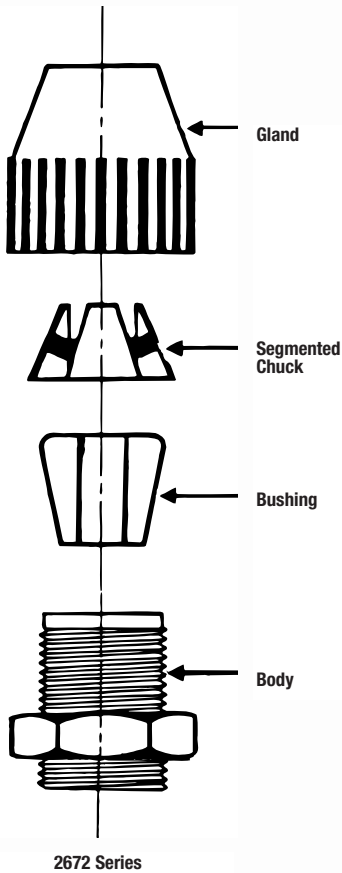


CAT. NO.	HUB THD SIZE (TAPER THD)	CABLE SIZE		A	B MAX.	C	ON BUSHING	MARKING BUSHING PART. NO.	THROAT DIA. (MIN.)
		MIN.	MAX.						
2558AL	1 1/4	.880	1.065	2 3/32	2 5/32	1 3/16	.880-1.065	053-71411-63	1 1/64
2559AL	1 1/4	1.065	1.205	2 3/32	2 5/32	1 3/16	1.065-1.205	053-71411-64	1 1/64
2556AL	1 1/4	1.187	1.375	2 11/32	2 1/2	1 3/16	2564	053-71411-18	1 1/4
2557AL	1 1/4	1.375	1.485	2 11/32	2 1/2	1 3/16	None	033-72259-2	1 1/4
2562AL	1 1/2	.812	1.000	2 11/32	2 1/2	1 1/16	None	033-72259-3	1 1/16
2563AL	1 1/2	1.000	1.187	2 11/32	2 1/16	1 1/16	2563	053-71411-17	1 1/16
2564AL	1 1/2	1.187	1.375	2 11/32	2 1/16	1 1/16	2564	053-71411-18	1 1/16
2565AL	1 1/2	1.375	1.625	2 13/16	2 5/8	1 3/16	1.375-1.625	053-71411-65	1 29/64
2573AL	2	1.125	1.375	2 13/16	2 5/8	1 3/16	1.125-1.375	053-71411-66	1 29/64
2574AL	2	1.375	1.625	2 13/16	2 5/8	1 1/16	1.375-1.625	053-71411-65	1 29/64
2575AL	2	1.625	1.875	2 13/16	2 5/8	1 1/16	1.625-1.875	053-71411-67	1 29/64
2576AL	2	1.750	1.965	3 3/32	3 1/2	2 7/32	10412	033-72259-5	1 29/62
2577AL	2	1.937	2.187	3 3/32	3 1/2	2 7/32	10413	033-72259-6	1 29/62
2584AL	2 1/2	1.750	1.965	3 3/32	3 3/4	1 1/32	10412	033-72259-5	2
2585AL	2 1/2	1.937	2.187	3 3/32	3 3/4	1 1/32	10413	033-72259-6	2
2586AL	2 1/2	2.156	2.360	3 11/16	4 1/4	1 1/32	10414	033-72259-7	2 5/32
2587AL	2 1/2	2.350	2.565	3 11/16	4 1/4	1 1/32	10415	033-72259-8	2 5/32
2592AL	3	2.156	2.360	3 11/16	4 1/4	1 1/32	10414	033-72259-7	2 5/32
2593AL	3	2.350	2.565	3 11/16	4 1/4	1 1/32	10415	033-72259-8	2 13/32
2594AL	3	2.535	2.750	3 11/16	4 1/4	1 1/32	10416	033-72259-9	2 13/32
2595AL	3	2.735	2.985	4 1/16	4 13/16	1 1/8	None	033-72259-10	2 13/16
2596AL	3	2.990	3.220	4 1/16	4 13/16	1 1/8	None	033-72259-11	2 13/16

Flexible Cords and Cable Fittings — Non-Metallic



2672 Series



Liquidtight Flexible Cord Connectors —

Black Beauty® Series

Application

- A liquidtight connector to connect flexible cord to a box or enclosure and provide adequate strain relief

Features

- Taper Thread hub seals in female hub (A)
- Neoprene bushing provides liquidtight installation (B)
- Hand tightens — no tools needed for assembly
- Segmented chuck provides high mechanical pullout performance — will not cut or damage cord jacket (C)
- Corrosion and weather resistant plastic is excellent for outdoor/indoor use
- Plastic parts improve dielectric strength and provide insulated throat (D)
- Wide range — reduces inventories

Listed/Certified by:

UL (UL File No. E-23018)
 CSA LR-2884, LR-4484

Standard Material

Body, Gland & Segmented Chuck
 Weather stabilized thermoplastic rated for -34° C
 (-29° F) to 105° C (221° F) application.
 Bushing Neoprene

Standard Finish

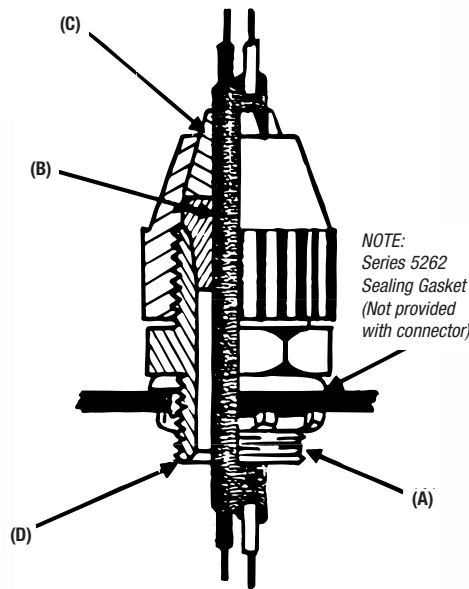
All parts as molded.

Range

.250 outside diameter to 1.020 outside
 diameter Type S, SO, SV, ST, STO,
 SJ, SJO, SJT, SJTO,
 SVTO, SVO, SVT Flexible
 Cords & Cables

Conforms to

UL 514B
 CSA C22.2 No. 18
 NFPA 70-1999 (ANSI)
 Federal Standard H-28 (Threads)



NOTE:
 Series 5262
 Sealing Gasket
 (Not provided
 with connector)

Typical Installation

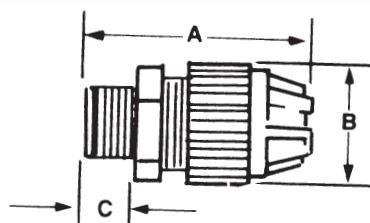
Flexible Cords and Cable Fittings — Non-Metallic

Rugged, weather-stabilized nylon construction!

Non-Metallic Liquidtight Strain Relief Connector — Straight



T&B Fittings



- UL 94-V2 flammability rated
- Temperature rating: -34° C to +105° C
- Meets Coast Guard CG293

CAT. NO.	TRADE OR HUB SIZE	THROAT DIAM. (IN.)	CORD RANGE (IN.)	DIMENSIONS (IN.)		
				A	B	C
2671	3/8"	0.33	.125-.275	2.0	.90	.46
2690	1/2"	0.33	.125-.275	2.3	.90	.60
2672	1/2"	0.55	.250-.400	2.6	1.27	.60
2673*	1/2"	0.55	.400-.560	2.6	1.27	.60
2691*	1/2"	0.54	.560-.690	3.0	1.57	.60
2692*	1/2"	0.54	.660-.780	3.0	1.57	.60
2693	3/4"	0.55	.250-.400	2.7	1.27	.62
2694*	3/4"	0.55	.400-.560	2.7	1.27	.62
2674	3/4"	0.79	.560-.690	3.0	1.57	.62
2675	3/4"	0.79	.660-.780	3.0	1.57	.62
2696*	3/4"	0.76	.770-.895	3.2	1.89	.62
2676	1"	0.98	.660-.780	3.3	1.89	.77
2677	1"	0.98	.770-.895	3.3	1.89	.77
2678*	1"	0.98	.870-1.020	3.3	1.89	.77
2699	1"	0.98	.890-1.090	4.2	2.58	.77
2702	1 1/4"	1.25	.890-1.090	4.2	2.58	.80
2703	1 1/4"	1.25	1.080-1.280	4.0	2.58	.80
2704	1 1/4"	1.25	1.270-1.470	4.0	2.58	.80
2705-TB	1 1/2"	1.47	.890-1.150	4.2	2.95	.82
2706	1 1/2"	1.47	1.140-1.400	4.3	2.95	.82
2707	1 1/2"	1.47	1.390-1.650	4.3	2.95	.82
2708	2"	1.89	1.190-1.530	5.1	3.50	.84
2709	2"	1.89	1.520-1.860	4.9	3.50	.84
2710*	2"	1.89	1.850-2.190	4.9	3.50	.84

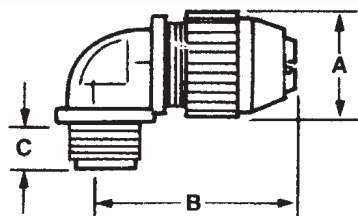
*Remove sufficient outer covering of cable to permit conductors to pass thru connector body.

UL File No. E 13938
CSA File No. 52391

All items shown on this page are suitable for use in hazardous location where general purpose equipment is specifically permitted by the NEC. Class I, Div. 2. Class II, Div. 1 & 2. Class III, Div. 1 & 2. NEC 501-4(b), 502-4(a)(b), 503-3(a)(b).

90° angle with a standard-size body!

Non-Metallic Liquidtight Strain Relief Connector — 90° Elbow



- Weather-stabilized nylon construction
- UL 94-V2 flammability rated
- Temperature rating: -34° C to +105° C
- Meets Coast Guard CG293

CAT. NO.	TRADE OR HUB SIZE	THROAT DIAM. (IN.)	CORD RANGE (IN.)	DIMENSIONS (IN.)		
				A	B	C
2680	3/8"	.33	.125-.275	2 1/2	1 1/4	.460
2681	1/2"	.55	.250-.400	—	—	—
2682*	1/2"	.55	.400-.560	—	—	—
2683	3/4"	.78	.560-.690	—	—	—
2684	3/4"	.78	.660-.780	—	—	—
2688	1"	.98	.560-.690	1 7/8	3/4	.770
2685	1"	.98	.660-.780	1 7/8	3/4	.770
2686	1"	.98	.770-.895	1 7/8	3 1/8	.770
2687*	1"	.98	.870-1.020	1 7/8	3	.770

*Remove sufficient outer covering of cable to permit conductors to pass thru connector body. 90° angle, standard size body.

UL File No. E 13938
CSA File No. 52391

All items shown on this page are suitable for use in hazardous locations where general purpose equipment is specifically permitted by the NEC. Class I, Div. 2. Class II, Div. 1 & 2. Class III, Div. 1 & 2. NEC 501-4(b), 502-4(a)(b), 503-3(a)(b).

Wire Mesh Grips

T&B Fittings

The T&B WMG-PC Series Wiremesh Grips for Portable Cord

T&B Wiremesh grips are ordered separately and fit with your existing inventory of Ranger® connectors and liquidtight strain relief connectors. There's no need to duplicate inventory.

Application

- Provides high gripping strength for adequate cable support and strain relief without damage to the cable sheath
- Compression of a tapered neoprene bushing ensures the watertight integrity of the fittings
- To meet National Electrical Code or NEC requirements for electrical installations in hazardous atmospheres, a sealing fitting may be required in conjunction with the cable and cord fitting

Cord & Cable Type

- S, SO, SV, ST, STD, SJ, SJO, SJT, SJTO, SVD

Features

- Prevents severe cord bends and pullouts
- Used in aluminum and/or steel fittings

Materials

- Wiremesh made of stainless steel. Retaining rings made of aluminum

Environment Classification

- Ordinary locations

Range

- .187 – 3.220

Now Includes Ranger Series



How to select proper wiremesh grip:

1. Determine O.D. of portable cord, e.g., .200
2. Determine size of knockout or threaded hub, e.g. 1/2"
3. Select Cat. No. of strain relief connector, e.g., 2520, 2920AL.
4. Match up O.D. with grip range and strain relief to determine Cat. No. of Wiremesh Grip (e.g., .200 + 2520 = WMP-PC1)



2920 Series



2920AL Series



2516 Series



CAT. NO.	GRIP RANGE	STRAIN RELIEF CONNECTOR								
		STRAIGHT			45°		90°			
		RANGER® STEEL	RANGER® ALUMINUM	T&B STEEL	RANGER® STEEL	T&B STEEL	RANGER® STEEL	RANGER® ALUMINUM	T&B STEEL	
WMG-PC1	.187–.250	2920	2920AL	2520	4920	2200	4960	4960AL	2267	
WMG-PC2	.250–.375	2920	2920AL	2521	4920	2201	4960	4960AL	2268	
WMG-PC3	.375–.500	2921	2921AL	2522	4921	2202	4961	4961AL	2269	
WMG-PC4	.500–.625	2922	2922AL	2524	4922	2204	4962	4962AL	2250	
		2932	2932AL	2534	4932	2209	4972	4972AL	2273	
		2941	2941AL	2544	4941	2214	4981	4981AL	2255	
WMG-PC5	.625–.750	2922	2922AL	2525	4922	2205	4962	4962AL	2251	
		2932	2932AL	2535	4932	2210	4972	4972AL	2274	
		2941	2941AL	2545	4941	2215	4981	4981AL	2256	
WMG-PC6	.187–.250	2930	2930AL	2530	4930	2206	4970	4970AL	2252	
WMG-PC7	.250–.375	2930	2930AL	2531	4930	2207	4970	4970AL	2271	
WMG-PC8	.375–.500	2931	2931AL	2532	4931	2208	4961	4961AL	2272	
		2940	2940AL	2542	4940	2213	4980	4980AL	2254	
WMG-PC9	.750–.875	—	—	2536	—	2211	—	—	2253	
		2942	2942AL	2546	4942	2216	4982	4982AL	2275	
WMG-PC10	.875–1.000	—	—	2547	—	2217	—	—	2276	
WMG-PC11	.875–1.000	—	—	2548	—	2218	—	—	2257	
		—	—	2558	—	2220	—	—	2277	
		—	—	2549	—	2219	—	—	2258	
WMG-PC12	1.000–1.125	—	—	2549	—	2221	—	—	2278	
		—	—	2559	—	—	—	—	—	
		—	—	2548	—	2218	—	—	2257	
WMG-PC13	1.125–1.250	—	—	2558	—	2220	—	—	2277	
		—	—	2549	—	2219	—	—	2258	
		—	—	2559	—	2221	—	—	2278	
WMG-PC14	1.125–1.250	—	—	2549	—	2221	—	—	2278	
		—	—	2559	—	2221	—	—	2278	
		—	—	2559	—	2221	—	—	2278	
WMG-PC15	1.250–1.375	—	—	2556	—	—	2279	2279	2222	
		—	—	2563	—	—	—	—	2282	
		—	—	2564	—	—	—	—	2283	
WMG-PC16*	1.375–1.500	—	—	2564	—	2222	—	—	2256	
WMG-PC17*	1.125–1.250	—	—	2564	—	—	—	—	2283	

CAT. NO.	GRIP RANGE	STRAIN RELIEF CONNECTOR	
		STRAIGHT	90°
		T&B STEEL	T&B STEEL
WMG-PC18*	1.250–1.375	2573	2284
WMG-PC19*	1.375–1.500	2565 2574	2285 —
WMG-PC20*	1.500–1.625	2565 2574	2285 —
WMG-PC21*	1.625–1.750	2575	2286
WMG-PC22*	1.750–1.875	2575	2286
WMG-PC23	1.750–1.875	2576 2584	— —
WMG-PC24	1.875–2.000	2576 2584	— —
WMG-PC25	1.937–2.062	2577 2585	— —
WMG-PC26*	2.062–2.187	2577 2585	— —
WMG-PC27	2.125–2.250	2586 2592	— —
WMG-PC28	2.250–2.375	2586 2592	— —
WMG-PC29	2.350–2.475	2587 2593	— —
WMG-PC30	2.475–2.600	—	2587
		—	2593
		—	2594
WMG-PC31*	2.625–2.750	2594	—
WMG-PC32*	2.735–2.860	2595	—
WMG-PC33*	2.860–2.985	2595	—
WMG-PC34*	2.970–3.095	2596	—
WMG-PC35*	3.095–3.220	2596	—

*Replacement Gland Nut supplied with these catalog numbers only.

Non-Metallic Cable Glands

Low-profile cable gland perfect for tight spots.

Non-Metallic Cable Glands

T&B Nylon Cable Glands have a sturdy cable sealing mechanism that results in superior strain relief. The compact size ensures quick and easy installation in cramped spaces. The non-metallic construction provides excellent corrosion, chemical and impact resistance. The glands have long threads and locknuts are available.



- Halogen-free
- Flame-retardant UL 94V0
- Rated IP 68 5 BAR, suitable for NEMA 4 enclosures
- UL Listed*, CSA listed for certain ranges of cable
- Working temperatures -30° C (-86° F) to +80° C (176° F)
- Continuous, +150° C (276° F) Intermittent
- Meets VDE ratings

* Material not UV resistant. Sturdy Nylon 6 for strong, lightweight construction. Gray color shown, also available in black.



CAT. NO. FITTINGS	THREAD SIZE	COLOR	CORD RANGE		LENGTH OF THREAD		USE T&B LOCKNUT CAT. NO.	UNIT PKG.	STD. PKG.
			IN.	MM	IN.	MM			
NPT Threads									
CC-NPT38-B	3/8"	Black	.197-.394	5-10mm	.590	15mm	—	50	250
CC-NPT38-G	3/8"	Gray	.197-.394	5-10mm	.590	15mm	—	50	250
CC-NPT12-B	1/2"	Black	.394-.551	10-14mm	.590	15mm	LN501	50	250
CC-NPT12-G	1/2"	Gray	.394-.551	10-14mm	.590	15mm	LN501	50	250
CC-NPT34-B	3/4"	Black	.512-.709	13-18mm	.590	15mm	LN502	25	100
CC-NPT34-G	3/4"	Gray	.512-.709	13-18mm	.590	15mm	LN502	25	100
CC-NPT1-B	1"	Black	.709-.984	18-25mm	.709	18mm	LN503	20	100
CC-NPT1-G	1"	Gray	.709-.984	18-25mm	.709	18mm	LN503	20	100
ISO/Metric Threads									
CC-ISO16-G	16	Gray	.197-.394	5-10mm	.394	10mm	LN-ISO16-G	50	200
CC-ISO20-G	20	Gray	.236-.473	6-12mm	.590	15mm	LN-ISO20-G	50	200
CC-ISO25-G	25	Gray	.512-.709	13-18mm	.590	15mm	LN-ISO25-G	25	100
CC-ISO32-G	32	Gray	.709-.984	18-25mm	.590	15mm	LN-ISO32-G	20	100
PG Threads									
CC-PG7-G	7	Gray	.118-.256	3-6.5mm	.315	8mm	LN-PG7-G	50	200
CC-PG9-G	9	Gray	.157-.315	4-8mm	.315	8mm	LN-PG9-G	50	200
CC-PG11-G	11	Gray	.197-.394	5-10mm	.315	8mm	LN-PG11-G	25	100
CC-PG135-G	13 1/2	Gray	.236-.473	6-12mm	.354	9mm	LN-PG135-G	25	100
CC-PG16-G	16	Gray	.394-.551	10-14mm	.394	10mm	LN-PG16-G	25	100
CC-PG21-G	21	Gray	.512-.709	13-18mm	.433	11mm	LN-PG21-G	10	50
CC-PG29-G	29	Gray	.709-.984	18-25mm	.433	11mm	LN-PG29-G	10	50
CC-PG36-G	36	Gray	.867-1.26	22-32mm	.512	13mm	LN-PG36-G	10	50

*Listed under UL file E13938, control #137B NPT and PG threaded Cable Glands are UL Listed, ISO/Metric Threaded Cable Glands are not UL Listed.

Non-Metallic Cord Fittings



Non-Metallic Cable/Cord Fitting with Integral Strain-Relief



Thomas & Betts is pleased to announce the new non-metallic spiral cable/cord connector. T&B spiral cable/cord connectors are ideal in environments where maximum protection is needed against conductor fatigue caused by flexing cables.

- Strain-relief is integral to the fitting, saving time and costs of additional parts for cable/cord installations
- UL listed
- Contains an IP68 rating for NEMA 4 enclosures
- Meets VDE ratings for European applications

Specifications

Materials Polyamide 6 (Body, Cap)
 Neoprene (Sealing Ring)

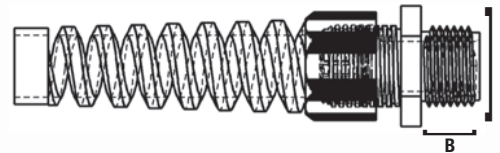
Colors Available Black, Gray

Protection Class IP 68, 5 Bar

Temperature Range - 30° C to +80° C permanent
 (-86° F - +176° F)

Operating Temperature Up to +150° C (+276° F)
 continuous

Please contact your Thomas & Betts sales representative regarding our custom grommet offering.



T&B Fittings

Non-Metallic Spiral Cable/Cord Fitting

CAT. NO.	SIZE	MIN. CABLE RANGE	MAX CABLE RANGE	USE T&B LOCKNUT CAT. NO.	COLOR	DIMENSIONS (IN.)		STD. PKG. QTY.
						A	B	
SP-NPT38-G	3/8"	.197	.394	—	Gray	.866	.590	25
SP-NPT38-B	3/8"	.197	.394	—	Black	.866	.590	25
SP-NPT12-G	1/2"	.394	.551	LN501	Gray	1.062	.590	25
SP-NPT12-B	1/2"	.394	.551	LN501	Black	1.062	.590	25
SP-NPT34-G	3/4"	.512	.709	LN502	Gray	1.299	.590	25
SP-NPT34-B	3/4"	.512	.709	LN502	Black	1.299	.590	25

Space and labor-saving cord fittings for panels.

Multi-Hole Cord Grip Connectors



- Ideal in limited space environments where multiple cables run into an enclosure
- Small cables such as instrumentation wires, proximity device wiring and signal cables can run safely into the enclosure
- Liquidtight, easy to assemble, provide good strain relief, offer a wide clamping range and are simple to use



T&B® Multi-Hole Cord Grip Connector Information

CAT. NO.	TRADE SIZE	NUMBER OF OPENINGS	CABLE RANGE		BODY LENGTH		LENGTH PER 100	THREAD WEIGHT
			MINIMUM	MAXIMUM	MINIMUM	MAXIMUM		
CC-NPT12-G2	1/2"	2	.190	.250	1.051"	1.291"	.590"	2.5 lbs.
CC-NPT12-G3	1/2"	3	.190	.250	1.051"	1.291"	.590"	2.5 lbs.
CC-NPT34-G2	3/4"	2	.230	.290	1.283"	1.492"	.590"	2.5 lbs.
CC-NPT34-G3	3/4"	3	.230	.290	1.283"	1.492"	.590"	2.5 lbs.
CC-NPT34-G4	3/4"	4	.230	.290	1.283"	1.492"	.590"	2.5 lbs.

* Based on the comparative material and labor costs of installing one multi-hole connector rather than three connectors in the same panel.

United States
 Tel: 901.252.8000
 800.816.7809
 Fax: 901.252.1354

Canada
 Tel: 450.347.5318
 Fax: 450.347.1976

Technical Services
 Tel: 888.862.3289

Thomas & Betts

www.tnb.com