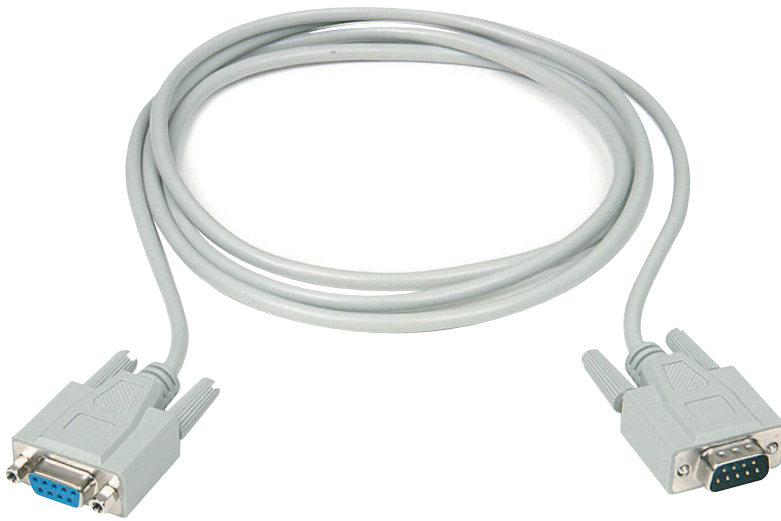


Serial DB9 Data Cable ASSEMBLIES



Specifications

- Molded connector end requirements:
 - Inner mold using PE
 - Aluminum foil wrap to connector
 - PVC - 45P, Platinum gray
- Cable:

[2BAWG (7/0.12) * 9C + AL/MY + DW(7/0.16)]

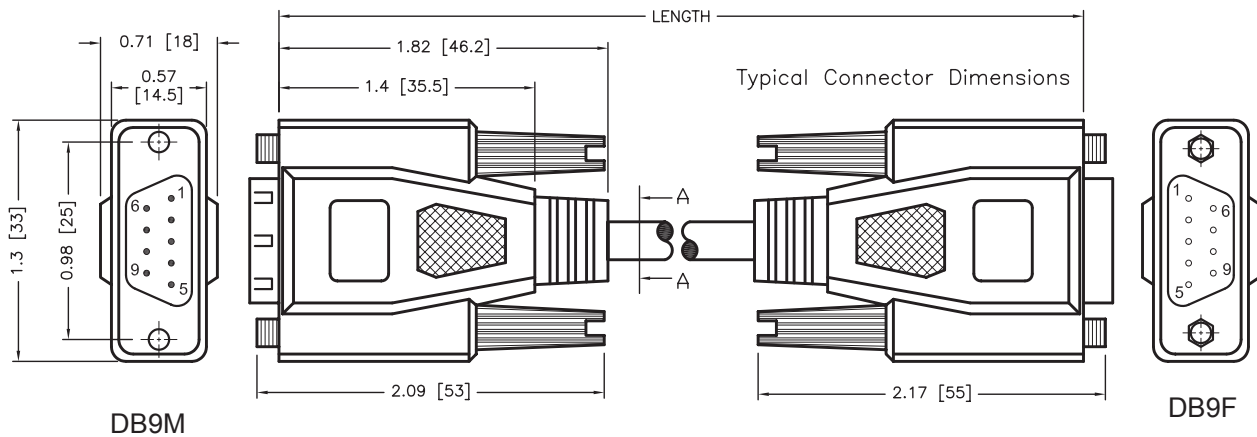
TIN Wire : OD = $0.78 \pm 0.0.3\text{mm}$

Color : COLOR CODE

Jacket : PVC, OD = $1115.0 \pm 0.15\text{mm}$

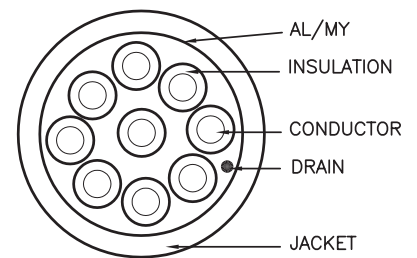
Color : Platinum gray
- Thumbscrew : Mole 4 × 47mm, Nickel plating
- Connector : DB9P Male, Nickel plating, Insulator Color : Blue
- Connector : DB9P Female, Nickel plating, Insulator Color : Blue
- (Screw) Nut : 4.75 * 6mm Nickel plating

Serial DB9 Data Cable ASSEMBLIES



Pin Outs

DB9P Male	WIRE Colour	DB9P Female
1	Black	1
2	Brown	2
3	Red	3
4	Orange	4
5	Yellow	5
6	Green	6
7	Blue	7
8	Purple	8
9	White	9
Shell		Shell



SECTION A-A

Part Number Table

Description	LENGTH	Part Number
Male/Female	72 ± 1 [1829 ± 25.4]	SPC19944
	120 ± 2 [3048 ± 50.8]	SPC19943
DB9 Female/Male	300 ± 3 [7625 ± 76.2]	SPC20036

Important Notice : This data sheet and its contents (the "Information") belong to the members of the Premier Farnell group of companies (the "Group") or are licensed to it. No licence is granted for the use of it other than for information purposes in connection with the products to which it relates. No licence of any intellectual property rights is granted. The Information is subject to change without notice and replaces all data sheets previously supplied. The Information supplied is believed to be accurate but the Group assumes no responsibility for its accuracy or completeness, any error in or omission from it or for any use made of it. Users of this data sheet should check for themselves the Information and the suitability of the products for their purpose and not make any assumptions based on information included or omitted. Liability for loss or damage resulting from any reliance on the Information or use of it (including liability resulting from negligence or where the Group was aware of the possibility of such loss or damage arising) is excluded. This will not operate to limit or restrict the Group's liability for death or personal injury resulting from its negligence. Multicom is the registered trademark of the Group. © Premier Farnell plc 2012.