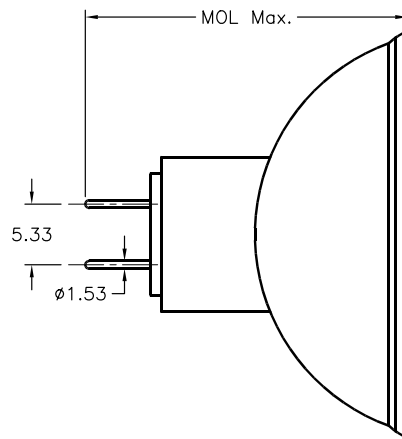
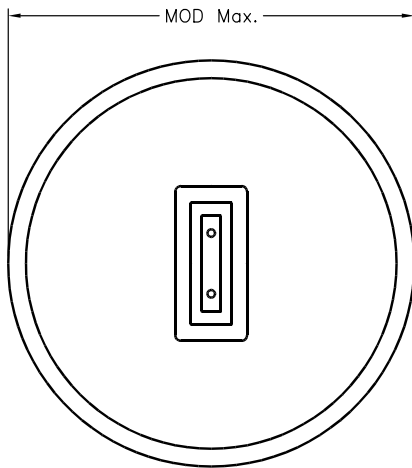


Dichroic Reflector GX5.3 Base Lamp



Specifications:

Supply Voltage	: 21V
Lamp Base Type	: GX5.3
Power Rating	: 150W
Length	: 44.5mm
Average Bulb Life	: 200h



Dimensions : Millimetres

Part Number Table

Description	Volts (V)	Watts	MOD (mm)	MOL (mm)	Filament	Color Temperature (°K)	Avg. Life (Hours)	Part Number
Dichroic Reflector, GX5.3 Base Lamp	20	150	50.5	47	CC-6	3,150	500	DDL
	21	150	50.7			EJA		
	21	150	50.5	44.5		3,250	200	EKE
	24	250	50.7			3,400	50	ELC

Important Notice : This data sheet and its contents (the "Information") belong to the members of the Premier Farnell group of companies (the "Group") or are licensed to it. No licence is granted for the use of it other than for information purposes in connection with the products to which it relates. No licence of any intellectual property rights is granted. The Information is subject to change without notice and replaces all data sheets previously supplied. The Information supplied is believed to be accurate but the Group assumes no responsibility for its accuracy or completeness, any error in or omission from it or for any use made of it. Users of this data sheet should check for themselves the Information and the suitability of the products for their purpose and not make any assumptions based on information included or omitted. Liability for loss or damage resulting from any reliance on the Information or use of it (including liability resulting from negligence or where the Group was aware of the possibility of such loss or damage arising) is excluded. This will not operate to limit or restrict the Group's liability for death or personal injury resulting from its negligence. Multicomp is the registered trademark of the Group. © Premier Farnell plc 2012.

