

Tous droits strictement réservés. Reproduction ou communication à des tiers interdite sans gracieuse forme que ce soit sans autorisation écrite du propriétaire. Propriété de FCI. Droits de reproduction FCI.

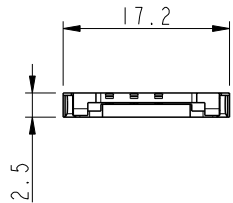
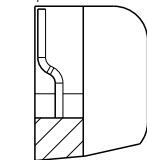


All rights strictly reserved. Reproduction or issue in third parties in any form whatever is not permitted without written authority from the proprietor. Property of FCI. Copyright FCI.

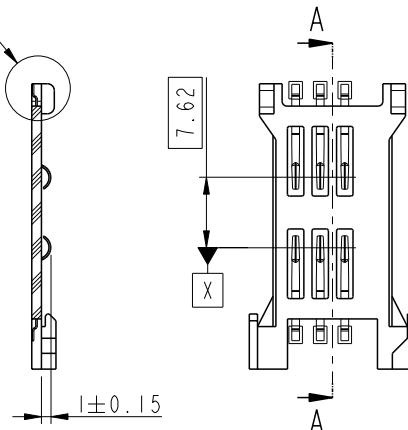
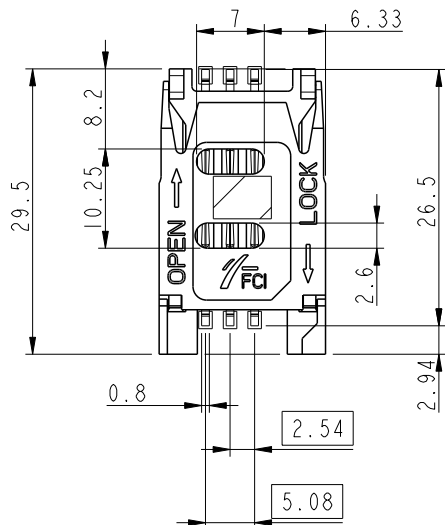
PART NUMBER
7111S2015X01
7111S2015X02
7111S2015X04

DETAIL F
SCALE 10:1

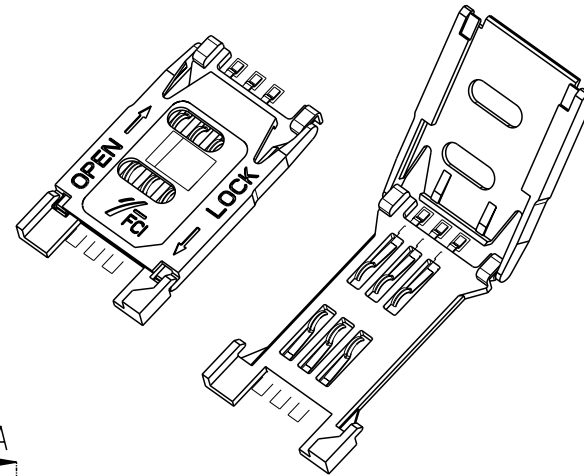
0.06 ± 0.01



SEE DETAIL F



SECTION A-A



SEE NOTE SHEET 2

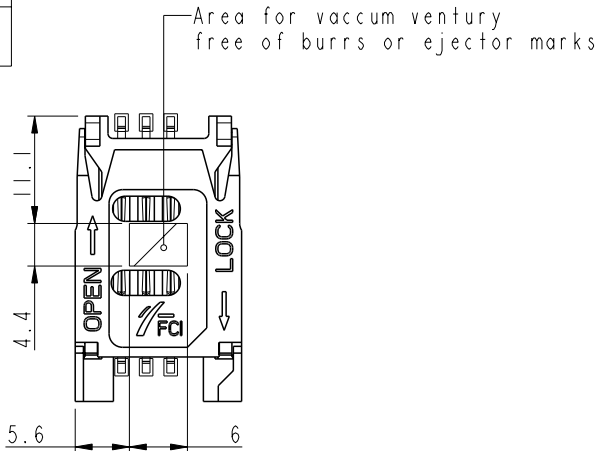
gen.tol : from 0mm to 10mm ±0.10mm
10mm to 30mm ±0.15mm
30mm to 60mm ±0.20mm
over 60mm ±0.30mm

lfr	ecn no	dr	date
1	---	JBB	98/09/01
2	---	JBB	98/12/23
3	---	LVU	99/02/25
4	---	LVU	99/03/26
A	---	HLE	01/12/06
B	LS2013	RCH	02/03/14
-	-	-	-

www.fciconnect.com		surface	tolerance	projection	mm
		ISO 1302	ISO 406 ISO 1101		
Dr	L.VUILLEMIN	98/09/01	Product family	MOBILE I/O	size A3
Eng	G.GAMACHO	98/09/01	Spec ref	--	Scale 2:1
Chr	O.CAILLER	98/09/01	Material	SEE NOTES	ECN LS2013
Appr	G.GAMACHO	98/09/01			
title SIM CARD READER				eng no VJW-54355	Rev. B
catalog no S20				-- CUSTOMER	sheet 1 of 2

Tous droits strictement réservés. Reproduction ou communication à des tiers interdite sans gracieuse forme que ce soit sans autorisation écrite du propriétaire. Propriété de s. FCI. Droits de reproduction FCI.

PART NUMBER
7111S2015X01
7111S2015X02
7111S2015X04



NOTES:

A MECHANICAL PROPERTIES:

housing material: PA 4/6 colour black,
 flamability class UL94V0 rated
 Contacts material: CuSn9P, tickness 0.16mm
 Contacts plating:
 contact area: 2 microns Au over 2.5 microns Ni mini
 Solder area: SnPb 60/40 3 microns over 2.5u Ni mini
 bare edge allowed
 Durability: 10000 mating cycles
 Contacts force: 0.5 N MAX at maximum deflection

B ELECTRICAL PROPERTIES:

Contact resistance: <100mΩ
 Insulation resistance: >1000MΩ
 Dielectrique withstanding voltage: >=1000Vrms
 Current carrying capacity: min 10uA, MAX 1A
 Voltage U5: 5V ±0.1V with R=560Ω

C ENVIRONEMENT:

Operation temperature range: -40°C to +90°C
 Reflow soldering temperature (infra-red): 225°C/20s , 236°C MAX1

D Packaging:

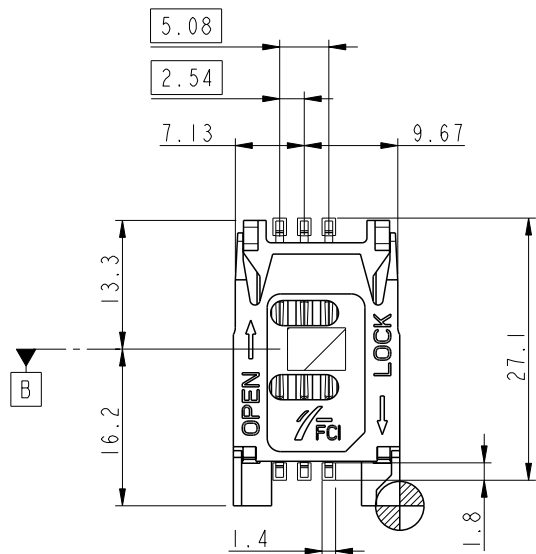
Tape and Reel:
 FOR P/N 7111S2015X01 AND P/N 7111S2015X04 pitch of tape : 24mm
 FOR P/N 7111S2015X02 pitch of tape : 20mm

APPLICABLE DOCUMENT:

Product specification VGN11502/A
 GENERAL SPECIFICATIONS
 MECHANICAL PERFORMANCES
 ELECTRICAL PERFORMANCES
 TESTING
 Climatic conditions
 UTE C 93-421
 Standart: card standart ISO 7810 , ISO 7816 , GSM 11.11



PCB FOOTPRINT
 IMPLANTATION C1



gen.tol : from 0mm to 10mm ±0.10mm
 10mm to 30mm ±0.15mm
 30mm to 60mm ±0.20mm
 over 60mm ±0.30mm

		www.fciconnect.com		surface -- ✓	tolerance ISO 406 ISO 1101	projection 	mm ↔
Dr	L.VUILLEMIN	98/09/01	Product family	MOBILE I/O		size	Scale
Eng	G.GAMACHO	98/09/01	Spec ref	--		A3	2:1
Chr	O.CAILLER	98/09/01	Material	SEE NOTES		ECN	LS2013
Appr	G.GAMACHO	98/09/01					
title			SIM CARD READER		eng no	VJW-54355	
catalog no			S20		--	CUSTOMER	sheet 2 of 2
							Rev.
							B