

Panel Mount Socket

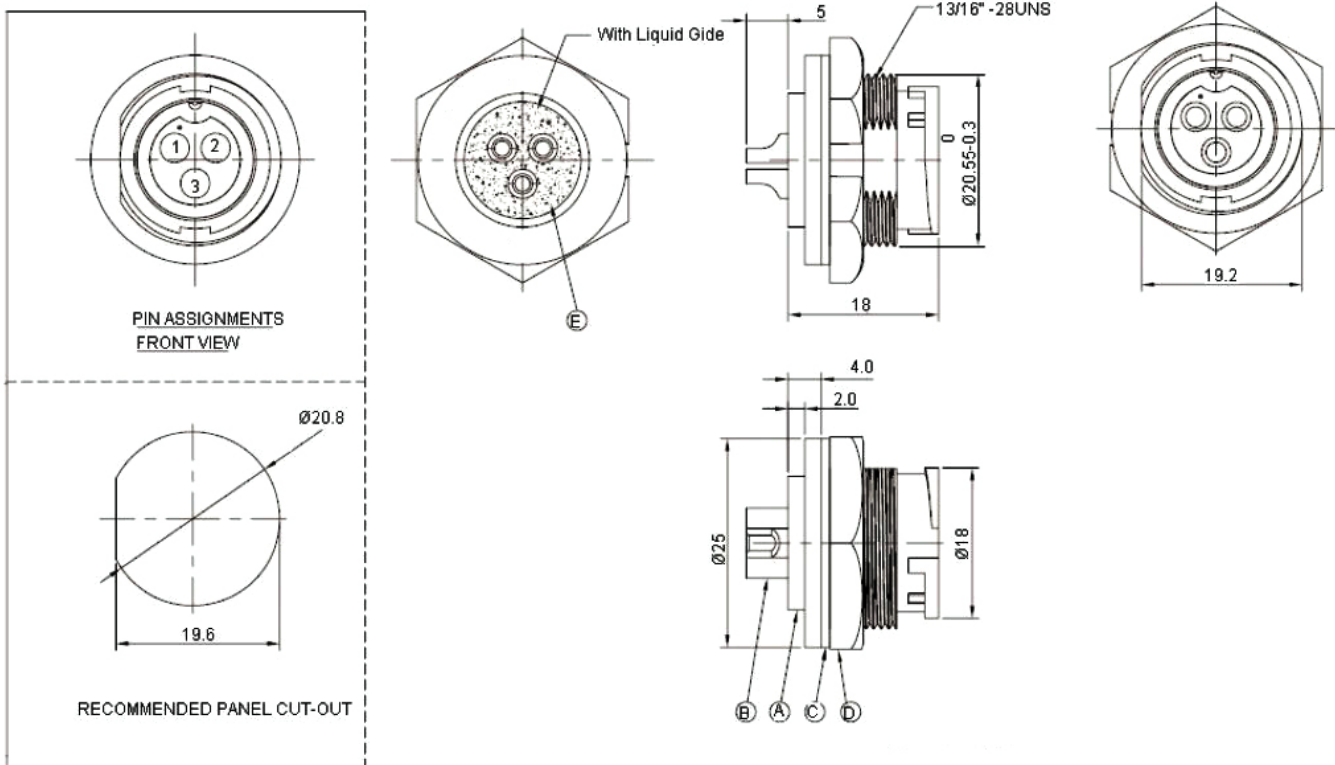


Specifications:

Waterproof rate	: IP67
IP67	: Immersed in 1m water for 30 minutes
Connector Type	: Circular Industrial
Series	: 2CM
Gender	: Receptacle
Contact Gender	: Socket
Connector Mounting	: Panel
Connector Shell Size	: 18 mm
No. of Contacts	: 3
Contact Termination	: Solder
Contact Material	: Phosphor Bronze
Contact Plating	: Gold

Electrical characteristics:

Temperature Range	: -40°C to + 100°C
Current Rating	: 102A
Dielectric withstanding voltage	: 1,000V AC for one minute
Panel thickness	: 3.5mm (maximum)



Dimensions : Millimetres

www.element14.com
www.farnell.com
www.newark.com



Panel Mount Socket



Item	Description	Material	Plating and Colour
A	Body	Nylon + GF	Black
B	Female pin	Phosphor Bronze Alloy	6µ inches gold plated over nickel plating
C	Gasket	EPDM	Black
D	Nut	Nylon + GF	
E	Liquid glue	-	

Part Number Table

Description	Part Number
Socket, Panel, 16A, 3 Way, IP67	2CM3014-W03600

Important Notice : This data sheet and its contents (the "Information") belong to the members of the Premier Farnell group of companies (the "Group") or are licensed to it. No licence is granted for the use of it other than for information purposes in connection with the products to which it relates. No licence of any intellectual property rights is granted. The Information is subject to change without notice and replaces all data sheets previously supplied. The Information supplied is believed to be accurate but the Group assumes no responsibility for its accuracy or completeness, any error in or omission from it or for any use made of it. Users of this data sheet should check for themselves the Information and the suitability of the products for their purpose and not make any assumptions based on information included or omitted. Liability for loss or damage resulting from any reliance on the Information or use of it (including liability resulting from negligence or where the Group was aware of the possibility of such loss or damage arising) is excluded. This will not operate to limit or restrict the Group's liability for death or personal injury resulting from its negligence. Multicomp is the registered trademark of the Group. © Premier Farnell plc 2012.

www.element14.com
www.farnell.com
www.newark.com

