

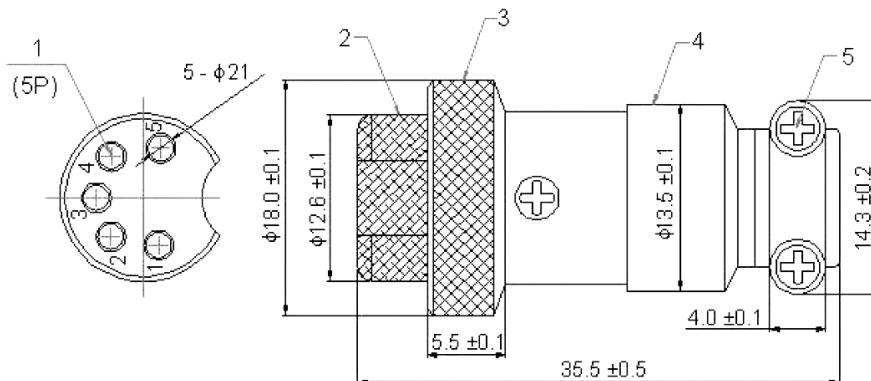
# Multipole Socket

pro-SIGNAL



## Specifications:

Connector Type	: Circular Industrial
Connector Body Material	: Brass
Gender	: Receptacle
Contact Gender	: Socket
No. of Contacts	: 5
Contact Termination	: Solder
Contact Material	: Copper
Body Plating	: Nickel
Connector Mounting Orientation	: Cable
Mounting Type	: In-Line
Panel Cutout Diameter	: 15mm



Dimensions : Millimetres

## Part Number Table

Description	Number	Designation	Material	Part Number
Multipole Socket- 5 Pole	1	Pin	Cu	PSG01591
	2	Dielectric	Bakelite	
	3	Shell	Cu	
	4	Body	Zn	
	5	Screw	Fe	

**Important Notice** : This data sheet and its contents (the "Information") belong to the members of the Premier Farnell group of companies (the "Group") or are licensed to it. No licence is granted for the use of it other than for information purposes in connection with the products to which it relates. No licence of any intellectual property rights is granted. The Information is subject to change without notice and replaces all data sheets previously supplied. The Information supplied is believed to be accurate but the Group assumes no responsibility for its accuracy or completeness, any error in or omission from it or for any use made of it. Users of this data sheet should check for themselves the Information and the suitability of the products for their purpose and not make any assumptions based on information included or omitted. Liability for loss or damage resulting from any reliance on the Information or use of it (including liability resulting from negligence or where the Group was aware of the possibility of such loss or damage arising) is excluded. This will not operate to limit or restrict the Group's liability for death or personal injury resulting from its negligence. pro-SIGNAL is the registered trademark of the Group. © Premier Farnell plc 2012.

www.element14.com  
 www.farnell.com  
 www.newark.com  
 www.cpc.co.uk

pro-SIGNAL