

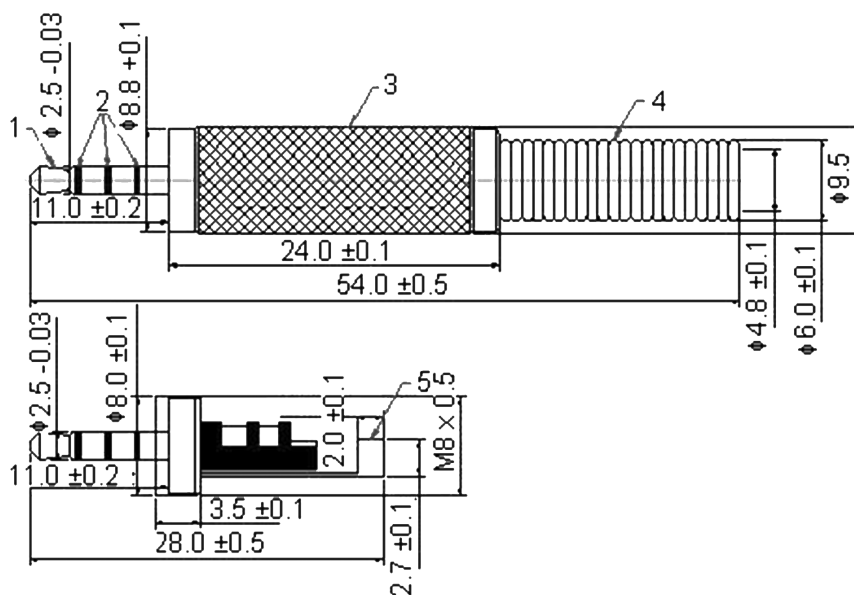
Plug - 2.5mm Jack

pro-SIGNAL



Specifications:

Connector Type	: RCA/Phono
No. of Contacts	: 4
Gender	: Plug
Contact Termination	: Crimp
Pin Size	: 2.5mm
Connector Mounting	: Cable
Connector Body Material	: Metal



Dimensions: Millimetres

Part Number Table

Description	Number	Designation	Material	Part Number
Plug, 2.5mm Jack, Metal, 4 Pole	1	Front Point	Cu	PSG01501
	2	Insulator	POM	
	3	Shell	Cu	
	4	Spring	Fe	
	5	Crimping Patch	Cu	

Important Notice: This datasheet and its contents (the "Information") belong to the members of the Premier Farnell group of companies (the "Group") or are licensed to it. No licence is granted for the use of it other than for information purposes in connection with the products to which it relates. No licence of any intellectual property rights is granted. The Information is subject to change without notice and replaces all datasheets previously supplied. The Information supplied is believed to be accurate but the Group assumes no responsibility for its accuracy or completeness, any error or omission from it or for any use made of it. Users of this datasheet should check for themselves the Information and the suitability of the products for their purpose and not make any assumptions based on information included or omitted. Liability for loss or damage resulting from any reliance on the Information or use of it (including liability resulting from negligence where the Group was aware of the possibility of such loss or damage arising) is excluded. This will not operate to limit or restrict the Group's liability for death or personal injury resulting from its negligence. pro-SIGNAL is the registered trademark of the Group. © Premier Farnell plc 2012.

www.element14.com
 www.farnell.com
 www.newark.com
 www.cpc.co.uk

pro-SIGNAL