

Stereo Plug



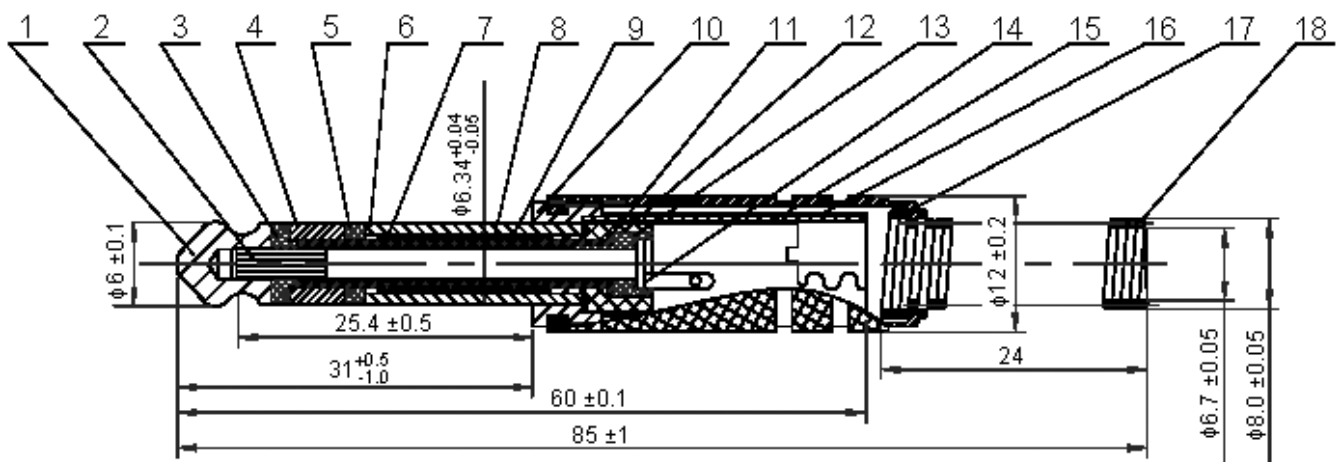
Features:

- Smooth appearance, no burr
- Tip can't be loose, broken
- Smooth thread

Specifications:

Connector Type	: Phone
No. of Contacts	: 3
Gender	: Plug
Contact Termination	: Solder
Contact Plating	: Nickel
Pin Size	: 6.35mm
Connector Body Material	: Metal

The terminal plating nickel, thickness 1µm (SOLDER).



Dimensions: Millimetres

Stereo Plug



Item	Description	Material	Plating
1	Tip	H59-1	Nickel
2	Bolt	A3	
3	Insulator (Small)	ABS	-
4	Mid (Cover)	H62	Nickel
5	Insulator (Big)	ABS	-
6	Sleeve	H62	Nickel
7	Plastic Tube	PP	-
8	Brass Ring	H62	-
9	Plastic Tube	PP	-
10	Die-cast Base	ZZnAl4-1	Nickel
11	Terminal (Mid)	H62	
12	Core	ABS	-
13	Core (Small)		-
14	Terminal (Small)	H62	Nickel
15	Terminal (Big)		
16	Plastic Cover	PP	-
17	Die-cast Shell	ZZnAl4-1	Nickel
18	Spring	65Mn	

Part Number Table

Description	Part Number
Plug, 6.3mm, Stereo	SP101-1-F-Z

Important Notice : This data sheet and its contents (the "Information") belong to the members of the Premier Farnell group of companies (the "Group") or are licensed to it. No licence is granted for the use of it other than for information purposes in connection with the products to which it relates. No licence of any intellectual property rights is granted. The Information is subject to change without notice and replaces all data sheets previously supplied. The Information supplied is believed to be accurate but the Group assumes no responsibility for its accuracy or completeness, any error in or omission from it or for any use made of it. Users of this data sheet should check for themselves the Information and the suitability of the products for their purpose and not make any assumptions based on information included or omitted. Liability for loss or damage resulting from any reliance on the Information or use of it (including liability resulting from negligence or where the Group was aware of the possibility of such loss or damage arising) is excluded. This will not operate to limit or restrict the Group's liability for death or personal injury resulting from its negligence. Multicomp is the registered trademark of the Group. © Premier Farnell plc 2012.